

STAINLESS STEEL TUB DISHWASHER OWNER'S MANUAL

GUIDE D'UTILISATION DU LAVE-VAISSELLE AVEC CUVE EN ACIER INOXYDABLE

Table of Contents/Table des matières

DISHWASHER SAFETY	2	SÉCURITÉ DU LAVE-VAISSELLE	30
Dishwasher Safety	2	Sécurité du lave-vaisselle	30
DISHWASHER MAINTENANCE AND CARE	4	ENTRETIEN ET RÉPARATION DU LAVE-VAISSELLE	32
User-Maintenance Instructions	4	Instructions d'entretien par l'utilisateur	32
INSTALLATION REQUIREMENTS	8	EXIGENCES D'INSTALLATION	37
Tools and Parts	8	Outils et pièces	37
Location Requirements	11	Exigences d'emplacement	40
Cabinet Opening Dimensions	11	Dimensions de l'ouverture de l'armoire	40
Drain Requirements	11	Exigences d'évacuation	40
Water Supply Requirements	11	Spécifications de l'alimentation en eau	41
Electrical Requirements	12	Spécifications électriques	41
INSTALLATION INSTRUCTIONS	12	INSTRUCTIONS D'INSTALLATION	42
Before You Begin	13	Avant de commencer	42
Prepare Cabinet Opening – New Utilities	13	Préparation de l'emplacement – nouveaux appareils	43
Install Moisture Barrier (Recommended for Wood Countertops)	14	Installation de la barrière anti-humidité (recommandée pour les comptoirs en bois)	44
Prepare Dishwasher	14	Préparation du lave-vaisselle	44
Remove Access and Toe Panels	14	Retrait du panneau d'accès et de la plinthe	44
Connect Water Line to Fill Valve	15	Branchement de l'arrivée d'eau à la valve de distribution	45
If a Drain Hose Extension is Required	15	Si une rallonge de tuyau de vidange est nécessaire	45
Install Door Handle (on some models)	16	Installation de la poignée de porte (sur certains modèles)	46
Place Dishwasher in Cabinet	16	Placer le lave-vaisselle dans l'armoire	46
Custom Panel Installation (on some models)	17	Installation du panneau personnalisé (sur certains modèles)	47
Electrical Connection	19	Raccordement électrique	49
Direct Wire Connection	19	Méthode de raccordement direct	49
Power Cord Connection	20	Branchement du câble d'alimentation	50
Junction Box Assembly	20	Boîtier de raccordement électrique	50
Final Installation Check	22	Vérification finale de l'installation	52
Secure Dishwasher in Cabinet Opening	23	Fixation du lave-vaisselle dans l'ouverture d'encastrement de l'armoire	53
Choose Anchor Attachment Method	25	Choix de l'option de fixation	56
Connect Water Line to House Shutoff Valve	25	Branchement de l'arrivée d'eau au robinet d'arrêt de la maison	56
Connect Drain Hose	25	Raccordement du tuyau de vidange	56
Complete Installation	28	Achever l'installation	59
Install Access Panel	28	Installation du panneau d'accès	59
T-Gasket Installation (on some models)	29	Installation du joint en T (sur certains modèles)	60
Check Operation	29	Vérification du fonctionnement	60
If Dishwasher Does Not Operate	29	Si le lave-vaisselle ne fonctionne pas	60
Additional Tips	29	Conseils supplémentaires	61

DISHWASHER SAFETY

Your safety and the safety of others are very important.

We have provided many important safety messages in this manual and on your appliance. Always read and obey all safety messages.



This is the safety alert symbol.

This symbol alerts you to potential hazards that can kill or hurt you and others.

All safety messages will follow the safety alert symbol and either the word “DANGER” or “WARNING.” These words mean:

▲ DANGER

You can be killed or seriously injured if you don't immediately follow instructions.

▲ WARNING

You can be killed or seriously injured if you don't follow instructions.

All safety messages will tell you what the potential hazard is, tell you how to reduce the chance of injury, and tell you what can happen if the instructions are not followed.

IMPORTANT SAFETY INSTRUCTIONS

WARNING: When using your dishwasher, follow basic precautions, including the following:

- Read all instructions before using the dishwasher.
- Use the dishwasher only for its intended function.
- Use only detergents or wetting agents recommended for use in a dishwasher and keep them out the reach of children.
- When loading items to be washed:
 1. Locate sharp items so that they are not likely to damage the door seal; and
 2. Load sharp knives with the handles up to reduce the risk of cut-type injuries.
- Do not wash plastic items unless they are marked “dishwasher safe” or the equivalent. For plastic items not so marked, check the manufacturer’s recommendations.
- Do not touch the heating element during or immediately after use.
- Do not operate your dishwasher unless all enclosure panels are properly in place.
- Do not tamper with controls.
- Do not abuse, sit on, or stand on the door or dish racks of the dishwasher.
- To reduce the risk of injury, do not allow children to play in or on a dishwasher.
- Under certain conditions, hydrogen gas may be produced in a hot-water system that has not been used for two weeks or more. **HYDROGEN GAS IS EXPLOSIVE.** If the hot-water system has not been used for such a period, before using the dishwasher, turn on all hot-water faucets and let the water flow from each for several minutes. This will release any accumulated hydrogen gas. As the gas is flammable, do not smoke or use an open flame during this time.
- Remove the door to the washing compartment when removing an old dishwasher from service or discarding it.
- Do not use replacement parts that have not been recommended by the manufacturer (e.g. parts made at home using a 3D printer).

SAVE THESE INSTRUCTIONS

GROUNDING INSTRUCTIONS

For a grounded, cord-connected appliance:

This appliance must be grounded. In the event of a malfunction or breakdown, grounding will reduce the risk of electric shock by providing a path of least resistance for electric current. The appliance is equipped with a cord having an equipment-grounding conductor and a grounding plug. The plug must be plugged into an appropriate outlet that is installed and grounded in accordance with all local codes and ordinance.

WARNING: Improper connection of the equipment-grounding conductor can result in a risk of electric shock. Check with a qualified electrician or serviceman if you are in doubt as to whether the appliance is properly grounded.

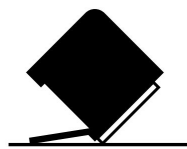
Do not modify the plug provided with the appliance — If it will not fit the outlet, have a proper outlet installed by a qualified electrician.

For a permanently connected appliance:

This appliance must be connected to a grounded metal, permanent wiring system, or an equipment-grounding conductor must be run with the circuit conductors and connected to the equipment-grounding terminal or lead on the appliance.

SAVE THESE INSTRUCTIONS

⚠ WARNING



Tip Over Hazard

Do not use dishwasher until completely installed.

Do not push down on open door.

Doing so can result in serious injury or cuts.

DISHWASHER MAINTENANCE AND CARE

User-Maintenance Instructions

Cleaning the Exterior

Clean the exterior of the dishwasher with only a soft, damp cloth and mild detergent. If your dishwasher has a stainless steel exterior, it may have a coating that is resistant to fingerprints. Avoid using abrasive cleaning products on the exterior of the dishwasher.

Cleaning and Maintaining the Interior

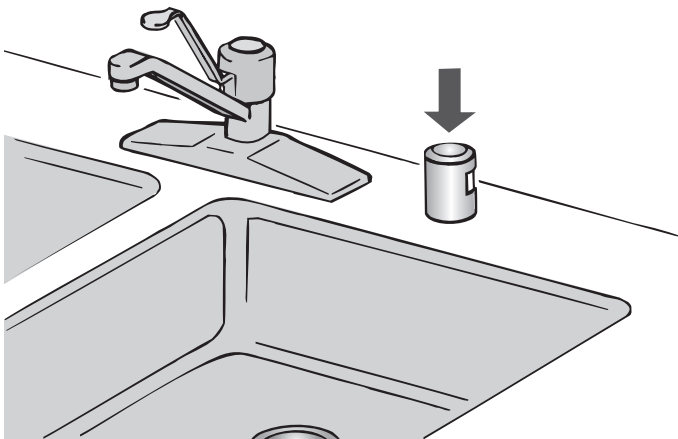
Many detergents may leave white spots or a white residue on dishwasher and on the interior of the dishwasher. Over time this residue can become unsightly and could affect dishwasher performance. Use of a dishwasher cleaning product such as affresh®+ Dishwasher Cleaner can help to remove the residue. Monthly use of affresh® Dishwasher Cleaner is recommended to help maintain the dishwasher. Follow package directions.

Another method to remove white residue is to use a vinegar rinse. However, vinegar is an acid and using it too often could damage your dishwasher.

Place (do not pour) 2 cups (500 mL) white vinegar in a glass or dishwasher-safe measuring cup on the bottom rack. Run the dishwasher through a complete washing cycle using an air-dry or an energy-saving dry option. Do not use detergent. Vinegar will mix with the wash water.

NOTE: We recommend the use of high-quality, premeasured detergent tablets or packs and the use of rinse aid for dishwasher cleaning and daily care.

If you have a drain air gap, check and clean it if the dishwasher is not draining well.



To Reduce Risk of Property Damage During Vacation or Extended Time Without Use

- When you will not be using the dishwasher during the summer months, turn off the water and power supply to the dishwasher.
- Make sure the water supply lines are protected against freezing conditions. Ice formations in the supply lines can increase water pressure and cause damage to your dishwasher or home. Damage from freezing is not covered by the warranty.
- When storing your dishwasher in the winter, avoid water damage by having your dishwasher winterized by authorized service personnel.

Setting Menu

1. Press and hold the “Hi Temp” button for 5 seconds.
2. Release “Hi Temp” and press the “Start/Resume” button within 2 seconds. If you do not press Start within 2 seconds, then the display will turn off and you will need to start over and go back to step 1.
3. To go to a feature other than Water Hardness Level, press the “Normal” button to move to the feature you would like to change (Rinse Aid Level, Sound Level, Light in Tub, Kosher Friendly, Factory Reset). See the table for what is shown on the display to indicate these features.
4. Press the “Start/Resume” button to select the feature and enter the sub-menu. The display will change to show the current setting of the feature. (For example, if you selected Sound Level and you haven’t changed it before, then “S1” will show).
5. Press “Normal” button to change the value of the feature setting. (For example, if you want to turn the sound off, then press the “Normal” button and “S0” shows on display models).
6. Press the “Start/Resume” button to confirm the new selection. The feature setting will not be changed until the “Start/Resume” button is pressed.

The dishwasher will return to the Off state when the Start button is pressed.

LETTER	SETTING (Features varies by model)	VALUES (Default - in bold)
[H]	Water Hardness Level (see “SETTING THE WATER HARDNESS” and “WATER HARDNESS TABLE”)	0 1 2 3 4 5
[R]	Rinse Aid Level (see “ADJUSTING THE DOSAGE OF RINSE AID”)	0 1 2 3 4 5 6
[S]	Sound “1” = On, “0” = Off	1 0
[L]	Light in the Tub (on some models) “1” = On, “0” = Off	1 0
[K]	Kosher Friendly mode “1” = On, “0” = Off	1 0
[D]	Display on the floor (on some models) “1” = On, “0” = Off	1 0
[F]	Factory Settings Press START/Pause to restore to the factory default all the values of the settings included in the settings menu.	-

NOTE: Refer to the online Cycle Guide for complete cycle and setting details.

†affresh® is a registered trademark of Whirlpool, U.S.A.

Water Softening System

IMPORTANT: If you have hard water (above 15 grains) and do not have a whole house water softener, the water softener and the heating element may be damaged as a result of limescale accumulation. In such instances of hard water, the water softener in the dishwasher should be used.

The water softener reduces water hardness thereby reducing calcium buildup on the heater, inside the dishwasher, and on your dishes. Soft water also allows your detergent to operate more efficiently. This system regenerates using salt, so it is necessary to keep the salt reservoir filled. The regeneration process occurs as needed during a cycle to keep the water softener operating properly. The frequency of regeneration depends on the water hardness level setting. The water softener system is "OFF" by default from the factory, so if the water softener is to be used, the system must be set to "ON" by selecting a water hardness level using setting menu. See water hardness setting table.

Water Hardness Setting

Determine your water hardness by obtaining information from a water quality report from your water supplier or purchase a water hardness test kit at a hardware store.

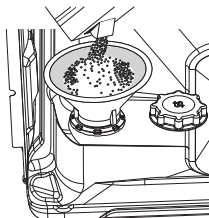
The water softening system is turned off from the factory (hardness setting "0"). To turn on your water softener, you must set the water hardness level in the "SETTING MENU" using the hardness setting value from the following "WATER HARDNESS TABLE". Once the system is turned on, the salt reservoir must be filled with special dishwasher softener salt and water.

Water Hardness Table		
Level	Grains per gallon (gpg)	Parts per million (ppm)
0	Water softener off (factory setting)	
1	0-6	0-100
2	6-12	100-200
3	12-18	200-300
4	18-36	300-600
5	>36	>600

Filling The Salt Reservoir

The salt reservoir is located in the lower part of the dishwasher (under the lower rack on the left side). Once your water softener system is turned on, you must fill the reservoir with dishwasher softener salt and water. As the salt supply is used up with successive system regenerations, a low-salt indicator will light on the control panel indicating it's time to refill the salt. Once salt is refilled, the light will turn off.

1. Remove the lower rack and unscrew the reservoir cap (by turning the cap counter-clockwise).
2. Position a funnel (comes along with your dishwasher) and fill the salt reservoir right up to its edge (approximately 0.5 kg); it is not unusual for a little water to leak out.



3. If filling the reservoir for the first time, it is also necessary to fill the reservoir with water after filling with salt. When refilling salt, there is no need to add more water.
4. Remove the funnel and wipe any salt residue away from the opening. Make sure the cap is screwed on tightly so that no detergent or food can get into the reservoir during the dishwasher use (this could damage the water softener beyond repair).

IMPORTANT: Run a cycle every time as soon as you completed refilling the salt reservoir to avoid corrosion.

Cleaning the Filters

It is very easy to remove and maintain the filters. The chart below shows the recommended cleaning frequency.

Recommended Time Interval to Clean Your Filter			
Number of loads per week	If you only scrape before loading*	If you scrape and rinse before loading	If you wash before loading
8-12	Every two months	Every four months	Once per year
4-7	Every two months	Once per year	Once per year
1-3	Twice per year	Once per year	Once per year

*Manufacturer's recommendation: This practice will conserve the water and energy that you would have used to prepare your dishes. This will also save you time and effort.

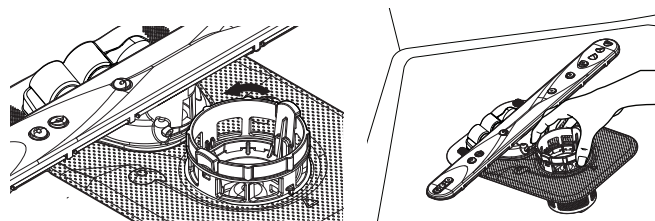
Very Hard Water

If you have hard water (above 15 grains) and you do not have a whole house water softener system, be sure to turn on and use the water softener in the dishwasher. Also clean your filter at least once per month. Building up of white residue on your dishwasher indicates hard water. For tips on removing spots and stains, see the online "Troubleshooting" section.

NOTE: Online references can be found in the Quick Start Guide.

Filter Removal Instructions

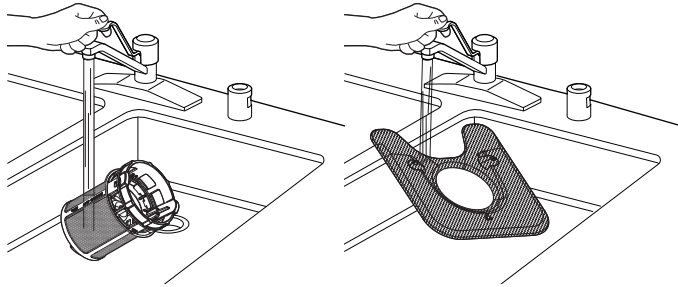
1. Turn the upper filter assembly 1/4 turn counterclockwise and lift out.
2. Separate the upper filter assembly by gently pulling apart.
3. Clean the filters as shown.



Cleaning Instructions

IMPORTANT: Do not use wire brush, scouring pad, etc., as they may damage the filters.

Rinse filter under running water until most soils are removed. If you have hard-to-remove soils or calcium deposits from hard water, a soft brush may be required.



For more detailed instructions on how to install the filter after cleaning, watch the video by scanning the QR code:



Error Codes/Blinking Lights

Issue	Code Shown (7 Seg Display) (if present)	Code Shown on Front Panel LED * (# blinks, Pause, # blinks)	What will happen?	What to do?
Dishwasher fails to operate fill valve correctly	F1E1/F1E5	1 Pause 1 Pause - pause, repeat	Drain sequence will begin, machine operation will be prevented.	Turn off water to unit (if possible). Turn off power to unit. If the water cannot be turned off, DO NOT turn off power and keep door closed. Press Cancel key one time to silence alarm tone. Call service.
Motor controller failure	F1E2	1 Pause 2 Pause, repeat	Cycle ends.	Call service.
No water present at dishwasher	H2O	8 Pause 1 Pause - pause, repeat	Cycle is paused.	Ensure fill hose is connected to product. Ensure water supply is turned ON. Press Start to resume cycle. If alarm still present, call service.
User interface service communication fault	F6E1	6 Pause 1 Pause - pause, repeat	Product will not able to start or resume cycles.	Call service.
Wash motor failure	F7E2	7 Pause 1 Pause, repeat/7 Pause 2 Pause, repeat	Cycle ends.	Call service.
Sensor detects water left in the sump	F7E3	7 Pause, 3 Pause - pause, repeat	Cycle ends.	Call service.

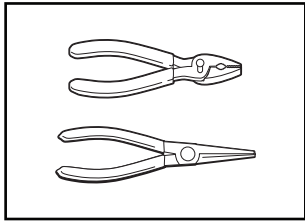
Issue	Code Shown (7 Seg Display) (if present)	Code Shown on Front Panel LED * (# blinks, Pause, # blinks)	What will happen?	What to do?
Dishwasher overfills	F8E4	8 Pause 4 Pause - pause, repeat	Drain sequence will begin, machine operation will be prevented.	<p>For Professional Installers</p> <p>Turn off water to unit (if possible). Turn off power to unit. If the water cannot be turned off, DO NOT turn off power and keep door closed. Press Cancel key one time to silence alarm tone. Call service.</p> <p>For Self Installers</p> <ul style="list-style-type: none"> ■ Press CANCEL button twice or cycle power. This may clear the issue. ■ Check to see if the wire connector is connected to the float switch on the drip tray. If the wire is off, reconnect and then hit the cancel button twice. ■ Check to see if there is any water in the drip tray. If water is in the drip tray, remove the water and reinstall the drip tray. Make sure to connect the wiring to the float. Check to see where water may have leaked into the drip tray (Check the water inlet fittings to see if they are leaking). ■ If water was in the tray and no leaks were found, run the product on the shortest installation cycle while checking for leaks. The access panel should be off to observe any leaks. ■ If problem still exists, call for service.
Fill valve stuck on	F8E5	8 Pause 5 Pause - pause, repeat	Drain sequence will begin, machine operation will be prevented.	Turn off water to unit (if possible). Turn off power to unit. If the water cannot be turned off, DO NOT turn off power and keep door closed. Press Cancel key one time to silence alarm tone. Call service.
Dishwasher will not drain	F9E1	9 Pause 1 Pause - pause, repeat	Cycle ends.	If drain hose is connected to a garbage disposal, confirm that drain hose is not clogged and disposal plug has been knocked out. If unit still will not drain, call service.
Variable Speed Drain Motor Fault - Locked Rotor or Not Primed	F9E3	9 Pause, 3 Pause - pause, repeat	Cycle ends.	Call service.

INSTALLATION REQUIREMENTS

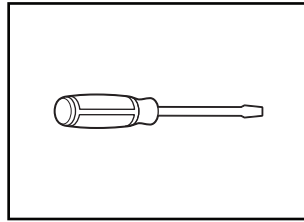
Tools and Parts

Gather the recommended tools and parts before starting installation. Read and follow the instructions provided with any tools listed here.

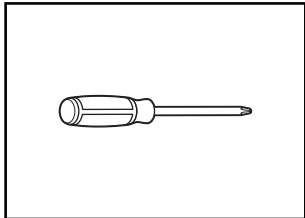
Tools Needed:



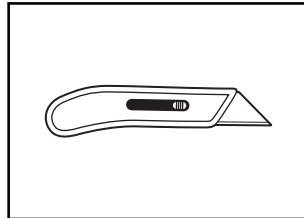
Pliers



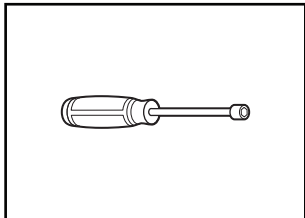
Flat-blade screwdriver



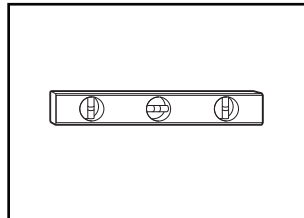
#2 Phillips screwdriver



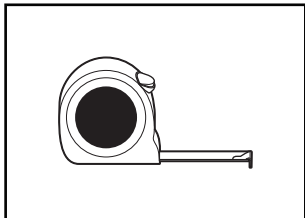
Utility knife



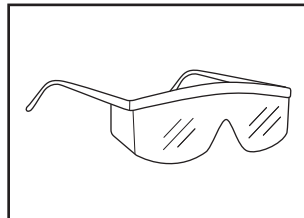
5/16" (8 mm) and 1/4" (6.35 mm) nut drivers or hex sockets



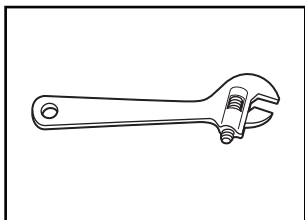
Small level



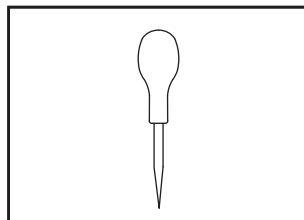
Measuring tape



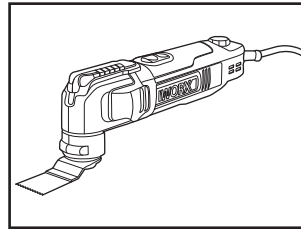
Safety Glasses



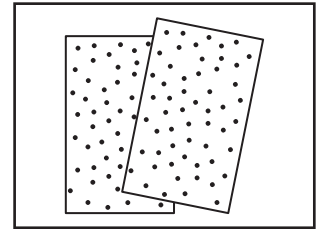
10" (254 mm) adjustable wrench that opens to 1 1/8" (29 mm)



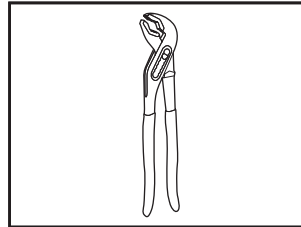
Awl



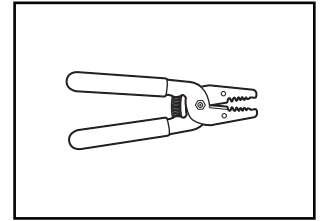
Oscillating Tool



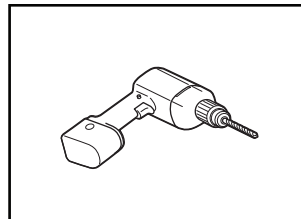
Sand paper



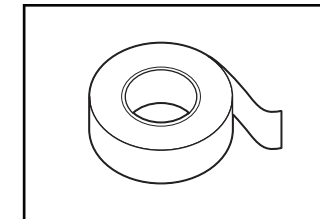
Pliers



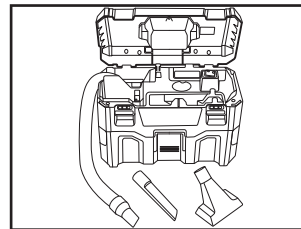
Wire strippers



With 1 1/2" (38 mm) Forstner Drill Bit, 3/4" (19 mm) Forstner Drill Bit, and 1/16" (2.38 mm) Drill Bit, 1 3/4"-2" (45-50 mm) Forstner Drill Bit

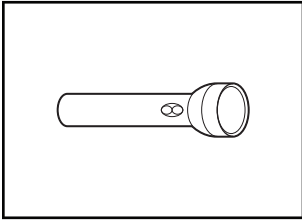


Double sided adhesive

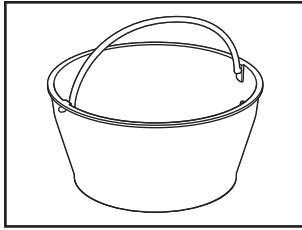


Portable vacuum cleaner

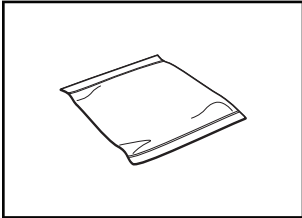
Other Useful Items You May Need:



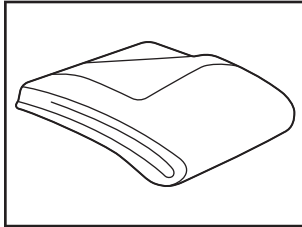
Flashlight



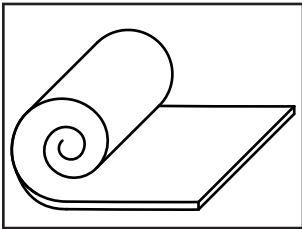
Bucket or Shallow pan



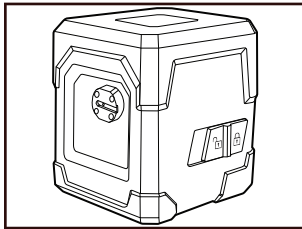
Bath towel



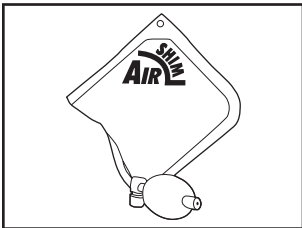
Moving blanket



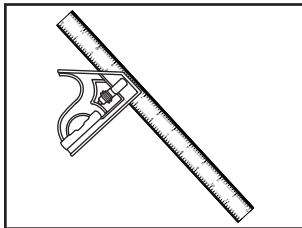
Floor protector



Laser level

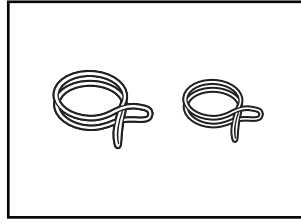


Air shim (3)

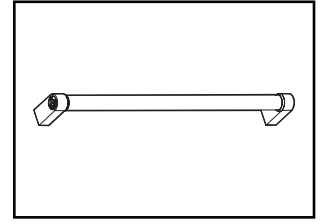


Combination square

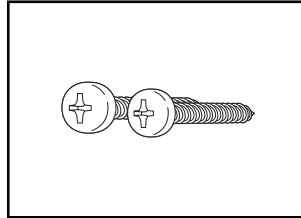
Parts Supplied:



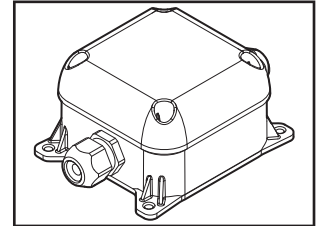
Drain hose clamps (2) Red and Green



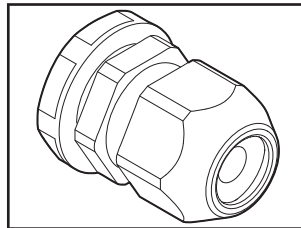
Door handle (on some models)



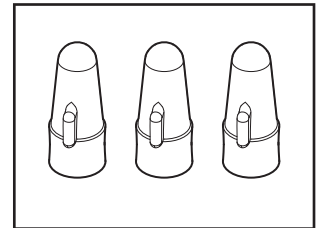
3.5 mm x 18 mm Phillips head screw (2)



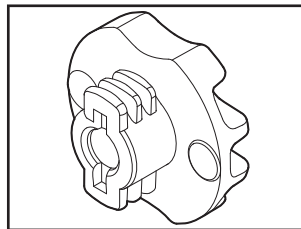
Junction box



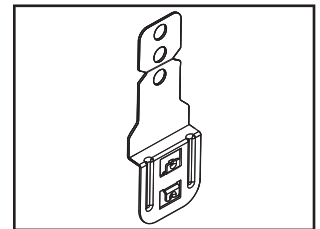
Cable fittings (2) inside the junction box



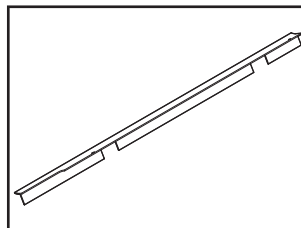
Wire nuts (3) inside the junction box



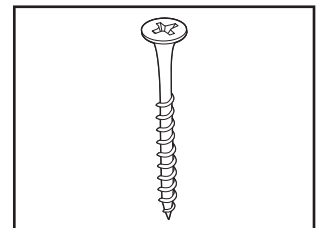
Plastic thick spacers (4)



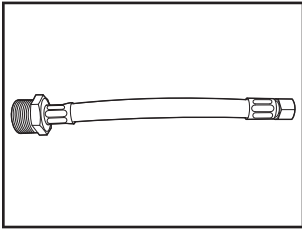
Metal brackets (4)



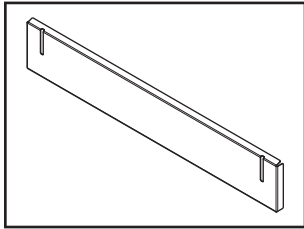
Side gap covers (2)



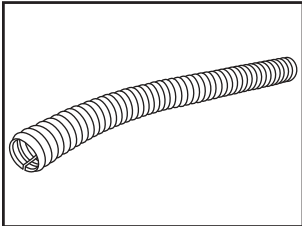
#4 x 38 mm screws (4) for Panel ready mount



Water Inlet Adapter for hose with Leak Detection System (on some models)



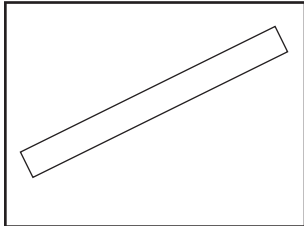
Additional/tall Toe Panel shipped uninstalled at the back of the dishwasher.



Cabinet Grommet (corrugated tubing)

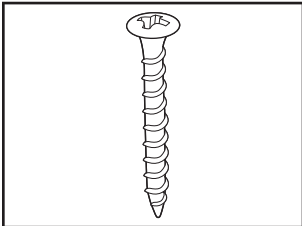
For 1 1/2" (38 mm) hole in cabinet

NOTE: Required for metal cabinets.

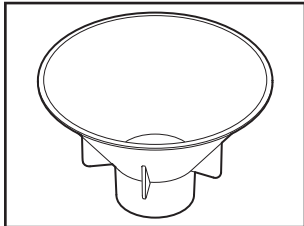


Moisture Barrier Tape

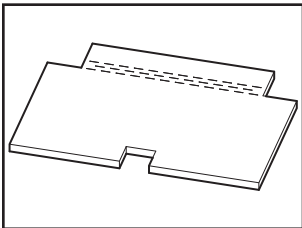
NOTE: Moisture barrier tape is recommended if installing a dishwasher under a wooden countertop.



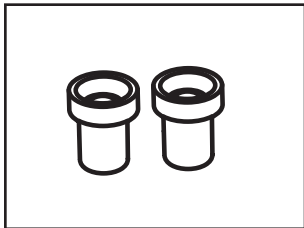
#3.5 x 18 mm screws (4) for Cabinet mount



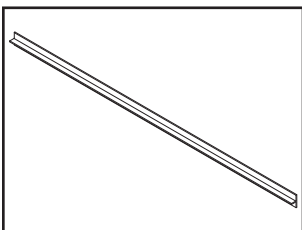
Salt funnel



Floor insulation (on some models)



Studs (on some models)



T-Gasket (on some models)

Make sure all these parts are included in the literature package.

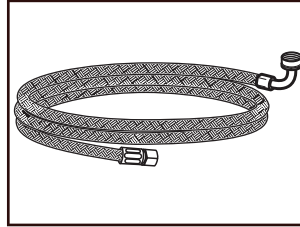
Optional Accessory Parts Available:

Call us at our toll-free number or visit our website listed on the Quick Start Guide for optional accessory part information.

First-Time Installations

Check local codes. Check existing electrical supply. See the "Electrical Requirements" section. It is recommended that electrical connections be made by a licensed electrical installer.

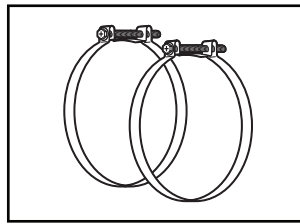
Additional Parts Needed (not provided):



3/8" (9.5 mm) to 3/4" (19 mm) elbow fitting adapter with inlet hose

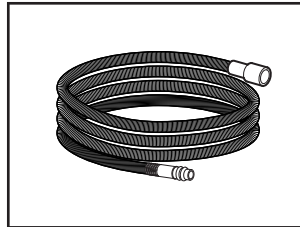
Whirlpool Part Number, W10278635RP, 6 ft (1.8 m) inlet hose

Whirlpool Part Number, 8212486, 12ft (3.6 m) inlet hose



Screw-Type Clamps

1 1/2"-2" (38 mm-50 mm) (3 maximum)



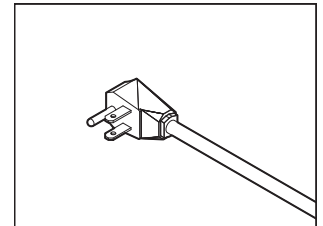
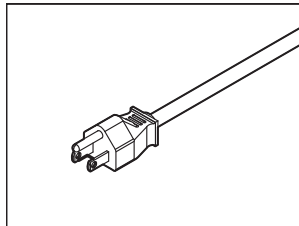
Optional - Water Drain Extension

Maximum length 12 ft (3.7 m) with a drain hose clamp.

Whirlpool Part Number, 8269144A

NOTE: Be sure to purchase only Whirlpool factory-certified parts and accessories for your appliance. Your installation may require additional parts. To order, refer to the contact information referenced in your Quick Start Guide.

For Power Cord



Power Cord Kit

Kit typically includes power cord (Cord Kit - Straight: Whirlpool Part Number W11670634, Right Angle: Whirlpool Part Number W11645183), Cable fitting.

NOTE: The Cord Kit - Straight: Whirlpool Part Number W11670634 is recommended for most installations.

For proper installation, refer to the installation instructions provided with the kit.

NOTE: Be sure to purchase only Whirlpool factory-certified parts and accessories for your appliance. Your installation may require additional parts. To order, refer to the contact information referenced in your Quick Start Guide.

Location Requirements

Dishwasher must be fully enclosed (top, sides, back, and floor) upon installation.

An optional moisture barrier accessory is also available for installing underneath a wooden countertop.

Check location where dishwasher will be installed. The location must provide:

- Convenient access for loading and unloading dishes. Corner locations require a 2" (51 mm) minimum clearance between the side of the dishwasher door and the wall or cabinet.
 - Easy access to water, electricity, and drain:
 - Grounded electrical supply is required.
 - This dishwasher has a water-heating feature and also requires a connection to a hot water supply line.
 - Make sure pipes, wires, and drain hose are within the shaded area shown in the "Cabinet Opening Dimensions" section.
 - Do not run drain lines, water lines, or electrical wiring where they can interfere with or contact dishwasher legs.
 - Shelter dishwasher and water lines leading to dishwasher against freezing. Damage from freezing is not covered by the warranty.
- NOTE:** If dishwasher will be left unused for a period of time or in a location where it may be subject to freezing, have it winterized by authorized service personnel.
- A square opening for proper operation and appearance.
 - The cabinet front to be perpendicular to floor.
 - A level floor.

Helpful Hint: If floor at front of opening is not level with floor at rear of opening, shims may be used to level dishwasher. Optional alignment method using a laser square; review the product help videos.

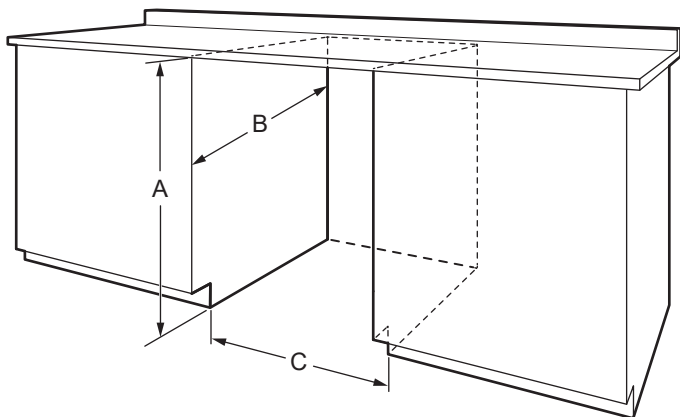
NOTE: To avoid shifting during dishwasher operation, shims must be securely attached to the floor.

- Do not install dishwasher over carpeted flooring.

Cabinet Opening Dimensions

Clearances

Check that all surfaces have no protrusions that would prohibit dishwasher installation.



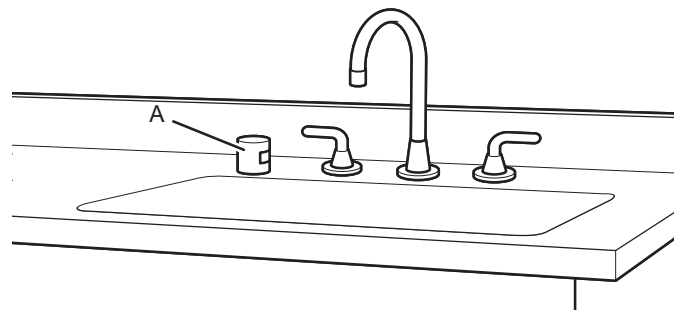
- A. $32\frac{5}{16}$ "- $35\frac{5}{16}$ " (820-900 mm) measured from the lowest point on the underside of the countertop.
- B. $22\frac{1}{16}$ " (560 mm) Minimum
- C. $23\frac{5}{8}$ " (600 mm) Minimum, measured from narrowest point of opening.

Drain Requirements

- A new drain hose is supplied with your dishwasher. If drain hose is not long enough, use a drain hose extension with a maximum length of 12 ft (3.7 m).
- Make sure to connect drain hose to waste tee or disposer inlet above drain trap in house plumbing and 20" (508 mm) minimum above the floor. It is recommended that the drain hose either be looped up and securely fastened to the underside of the counter or be connected to an air gap.

IMPORTANT: This product is not equipped with a high loop on the side of the dishwasher. The installer is responsible for adding a high loop in the adjacent cabinet. A high loop is required if the dishwasher will drain into a floor drain. This prevents water draw off from the dishwasher during operation. When the drain is connected to a sink drain, counter-top air-gap or disposer, the high loop is generally not required. An check valve internal to the drain prevents back-flow into the dishwasher.

- Make sure to use an air gap if the drain hose is connected to house plumbing lower than 20" (508 mm) above subfloor or floor.



A. Air gap

- If required, the air gap should be installed in accordance with the air gap installation instructions. When you are connecting the air gap, a rubber hose (not provided) will be needed to connect to the waste tee or disposer inlet.
- Use 1/2" (12.7 mm) minimum I.D. drain line fittings.

Water Supply Requirements

- This dishwasher maybe fitted with a smart inlet hose with a water cut off valve. Do not cut the water inlet hose for any reason, to install, adapt or shorten.
- This dishwasher has a water heating feature and also requires a connection to a hot water supply line.
- A hot water line with 20 psi to 120 psi (138 kPa to 827 kPa) water pressure can be verified by a licensed plumber.
- 120°F (49°C) water at dishwasher
- 3/8" (9.5 mm) O.D. tubing with compression fitting or flexible braided or non braided water supply line.
- Included water inlet hose with Leak Detection System for some models.
- Included 3/8" (9.5 mm) Compression x 3/4" (19 mm) Water inlet adapter (only for models with Leak Detection System).
- If installed in new construction, make sure the house water supply lines have been flushed prior to connecting the dishwasher to remove any debris that may exist in the supply line.

Electrical Requirements

Be sure that the electrical connection and wire size are adequate and in conformance with the National Electrical Code, ANSI/NFPA 70 - latest edition, and all local codes and ordinances.

For a fee, a copy of the above code standards can be obtained from:

National Fire Protection Association
1 Batterymarch Park
Quincy, MA 02169-7471

You Must Have:

- 120 V, 60 Hz, AC-only, 15 A or 20 A, fused electrical supply.
- Copper wire only.
- A maximum of 2 field wiring supply conductors (12 AWG largest size) plus 1 grounding conductor are permitted in the terminal box.
- An included junction box for electrical connection.

We Recommend:

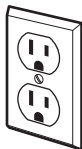
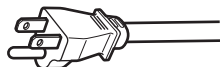
- Install the dishwasher on a circuit with appropriate interrupter per your local code. The dishwasher is compatible with time delay fuses, standard circuit breakers, and GFCI and AFCI circuit breakers.

Circuit Requirement:

- The dishwasher may be installed on the same circuit as a garbage disposal providing that the branch circuit cannot exceed rated circuit load and must comply with all governing codes and regulations such as but not limited to National Electrical Code, ANSI/NFPA 70 - latest edition.
- No electrical connections other than the dishwasher power and ground connections can be made inside of the dishwasher junction box.

If Connecting Dishwasher with a Power Cord:

- Use a UL-listed power cord kit marked for use with dishwasher. See the "Tools and Parts" section for part details.
- Plug into a grounded 3-prong outlet. Outlet must meet all local codes and ordinances.



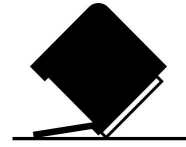
If Connecting Dishwasher with Direct Wiring:

- Use flexible, armored, or nonmetallic sheathed copper wire with grounding wire that meets the wiring requirements for your home and local codes and ordinances.
- Use only the supplied plastic cable fittings for flexible and non-metallic sheathed wiring (Romex, etc.). Do not use metallic strain reliefs for these wire constructions.
- Use a UL-listed/CSA-approved metallic strain relief for armored cable installations (21 mm diameter).



INSTALLATION INSTRUCTIONS

⚠ WARNING



Tip Over Hazard

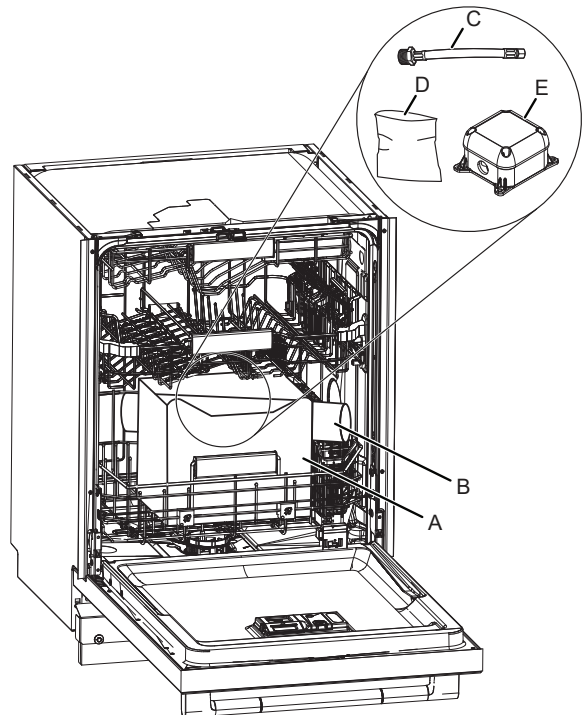
Do not use dishwasher until completely installed.

Do not push down on open door.

Doing so can result in serious injury or cuts.

You Need To:

- Slowly open the dishwasher door while someone grasps the rear of the dishwasher. Remove shipping materials. Place included parts and literature aside in a safe place for later. Close dishwasher door until latched.



- A. Cardboard box containing the Accessories
- B. Cardboard tube containing the Handle (on some models)
- C. 3/8" to 3/4" (9.5 mm to 19 mm) Water Inlet Adapter
- D. Assembly accessories
- E. Junction box

IMPORTANT: Do not throw away the Cardboard box. It contains installation materials inside.

NOTE: Each dishwasher is tested at the factory and may contain some residual water in the tub as a result of the test.

- Observe all governing codes and ordinances.
- Install this dishwasher as specified in these instructions.
- The dishwasher must be installed to meet all electrical and plumbing national and local codes and ordinances.

- Be sure when installing or moving the appliance that the power cord is not kinked or damaged.

WARNING: To reduce the risk of electric shock, fire, or injury to persons, the installer must ensure that the dishwasher is completely enclosed at the time of installation.

Before You Begin

⚠ WARNING



Electrical Shock Hazard

Disconnect electrical power at the fuse box or circuit breaker box before installing appliance.

Failure to do so can result in death or electrical shock.

1. Disconnect power

Disconnect electrical power at the fuse box or circuit breaker box before installing dishwasher.

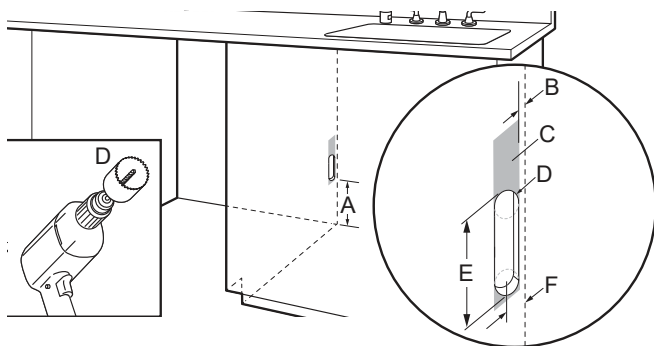
2. Shut off water supply

Shut off water supply to the dishwasher.

Prepare Cabinet Opening – New Utilities

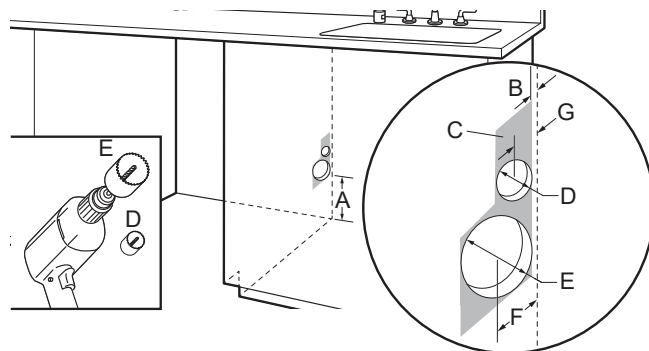
NOTE: The electric and water holes may or may not be on the same cabinet wall. It will depend on the location of water and electric connections.

3. Drill hole location for Water Supply and Drain hose (Preferred hole type)



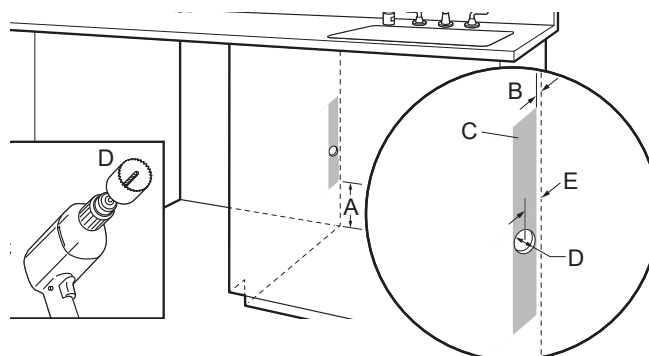
- A. 6" (152 mm), minimum height of allowable area from bottom for utility connections.
- B. 1/2" (12.7 mm), Thickness of back cabinet wall.
- C. 2 1/4" width x 6 1/16" height (57.20 x 154.40 mm), Allowable area for utility connections.
- D. 1 3/4" (44.4 mm), Diameter of Oval hole for water supply and drain hose.
- E. 3 3/4" (95.3 mm), Height of Oval hole for water supply and drain hose.
- F. 2 1/4" (57.1 mm), Distance between center of Oval hole to the back of the cabinet wall.

4. Drill hole locations for Water Supply and Drain hose (Optional hole type)



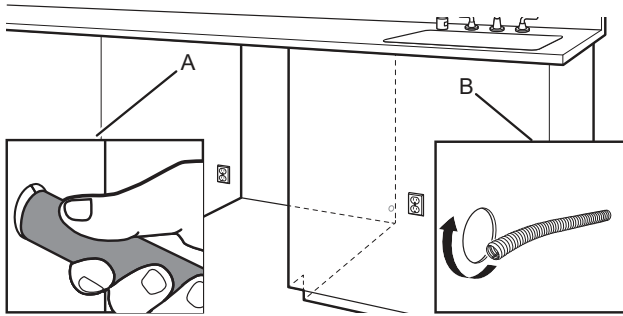
- A. 6" (152 mm), minimum height of allowable area from bottom for utility connections.
- B. 1/2" (12.7 mm), Thickness of back cabinet wall.
- C. 3 1/2" width x 6" height (88.9 x 152.4 mm), Allowable area for utility connections.
- D. 1 1/2" (38.1 mm), Diameter for drain hose hole.
- E. 3 1/2" (88.9 mm), Diameter for water supply hose hole.
- F. 2 1/4" (57.1 mm), Distance between center of water supply hose hole to the back of the cabinet wall.
- G. 1 1/4" (31.7 mm), Distance between center of Drain hose hole to the back of the cabinet wall.

5. Drill location for Electrical conduit hole



- A. 6" (152 mm), minimum height of allowable area from bottom for utility connections.
- B. 1/2" (12.7 mm), Thickness of back cabinet wall.
- C. 1 1/2" width x 12" height (38.1 x 304.8 mm), Allowable area for utility connections.
- D. 1 1/2" (38.1 mm), Diameter for Electrical conduit hole.
- E. 1 1/4" (31.7 mm), Distance between center of Electrical conduit hole to the back of the cabinet wall.

6. Sand holes smooth



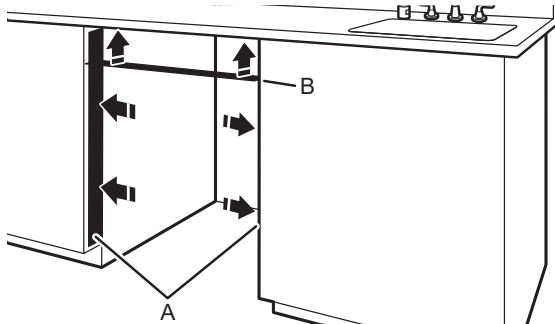
- A. Wood cabinet
- B. Metal cabinet

Wood cabinet: Sand the hole until smooth.

Metal cabinet: Cover edges of hole with grommet (corrugated tubing) included with installation materials inside the dishwasher. Cut length to match hole perimeter.

Install Moisture Barrier (Recommended for Wood Countertops)

Moisture barrier/Wood shims

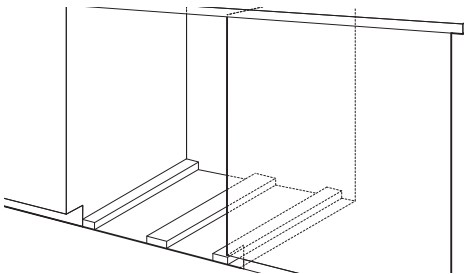


- A. Install wood shims
- B. Moisture barrier

Make sure the area under the countertop is clean and dry for installation of the moisture barrier. Remove the backing of the moisture barrier and apply to underside of the countertop along the front edge of the counter. Trim the moisture barrier as required.

NOTE: Install wood shims if side anchoring and the gap between sides of the dishwasher are greater than 1/2" (12.7 mm) on each side or are greater than the length of the anchor screws.

7. Built-up floors – add shims as needed



Built-up floors: If the kitchen floor is higher than the cabinet opening's floor—for example, the kitchen floor tile does not extend into the cabinet opening—add shims, as needed, in the area shown to bring the dishwasher up to 34" (864 mm) below the countertop.

NOTE: Shims must be securely attached to floor to avoid movement when the dishwasher is in use.

Prepare Dishwasher

⚠WARNING



Tip Over Hazard

Do not use dishwasher until completely installed.

Do not push down on open door.

Doing so can result in serious injury or cuts.

⚠WARNING

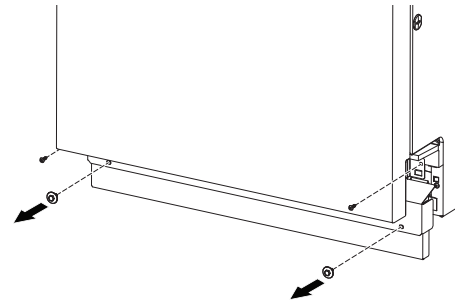
Excessive Weight Hazard

Use two or more people to move and install or uninstall appliance.

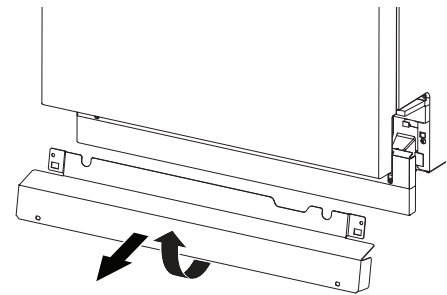
Failure to do so can result in back or other injury.

Remove Access and Toe Panels

8. Access panel

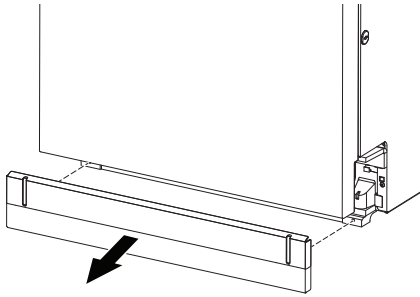


Using a 1/4" (6.35 mm) nut driver or Phillips screwdriver, remove 4 screws attaching Access panel to dishwasher.



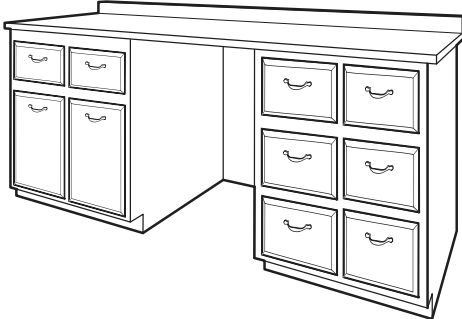
Slowly lift and remove the Access panel from the hooks of dishwasher.

9. Toe panel



After removing the access panel remove the toe panel.

10. Measure cabinet opening



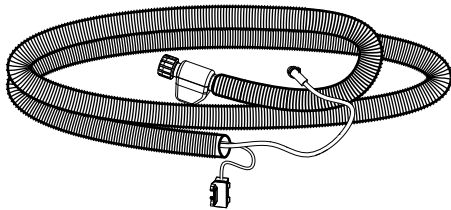
There is a leveling system on the front of the base carrier. Once the dishwasher is within the cabinet space, use the leveling adjuster to adjust the dishwasher up to the height of the cabinet.

Adjust both front and back leveling legs to the same height.

Connect Water Line to Fill Valve

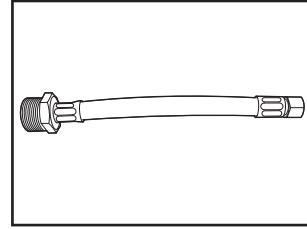
The dishwasher may come with the inlet hose already attached with a threaded connection. It needs to be connected to the inlet end on the house connection.

11. Leak Detection System Hose (on some models)



Use the Leak Detection System hose with included 3/8" (9.5 mm) to 3/4" (19 mm) water inlet adapter.

12. Add 3/8" (9.5 mm) to 3/4" (19 mm) water inlet adapter to the Leak Detection System Hose (on some models)



Connect the 3/8" (9.5 mm) compression fitting of the water inlet adapter to the water supply line and attach the 3/4" (19 mm) connection to the Leak Detection System hose .

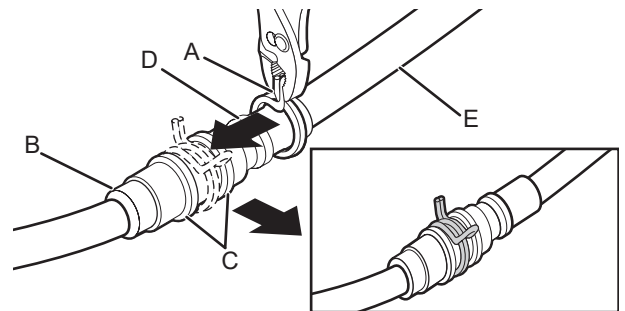
13. Accessory inlet hose



See the "Tools and Parts" section at the front of the guide for part details and order. Connect the 3/8" (9.5 mm) compression fitting to the water supply line and Attach the 3/4" (19 mm) elbow fitting connection to the dishwasher facing upward as shown above. Confirm the flexible braided or non braided line is long enough to reach the house water connection. If the hose is not long enough, have a plumber install a supply valve closer to the dishwasher.

If a Drain Hose Extension is Required

14. Slide clamp onto connector



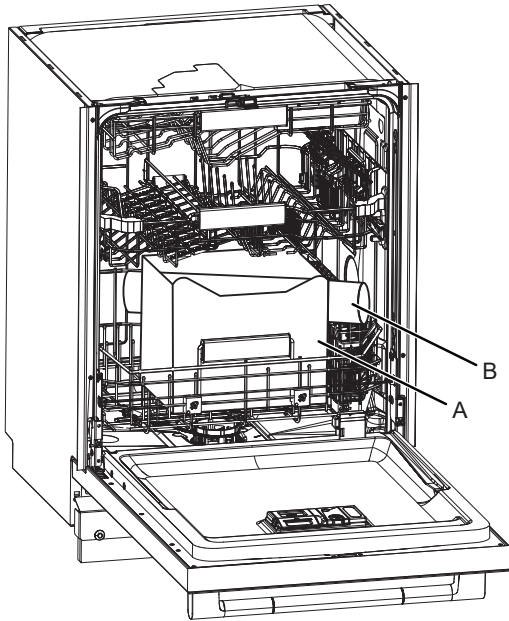
A. Green clamp
B. Rubber drain hose connector
C. Stop

D. Drain hose stop
E. Drain hose

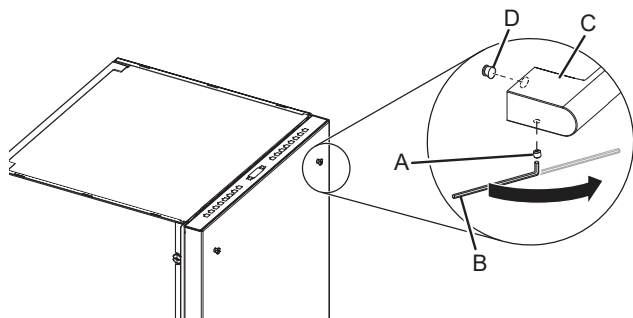
Using pliers, squeeze open the green drain hose clamp, and slide it onto the connector between stops.

Install Door Handle (on some models)

15. Install Door Handle



- A. Cardboard box containing the Accessories
- B. Cardboard tube containing the Door Handle (on some models)



- A. Setscrew (in the bottom of the handle)
- B. Hex key
- C. Handle
- D. Mounting stud

IMPORTANT: Do not scratch the front panel during this procedure. If door panel has a protective film, peel film back past the point of the handle studs before installing handle. Handle is easiest to install while unit is on its back.

Remove the door handle and hex key from the packaging. Setscrews are already installed in the handle. Place handle on mounting studs with the setscrews facing towards the bottom of dishwasher. Push the door handle tightly against the door. Insert the short end of the hex key into the setscrews. Tighten the setscrews 1/4 turn past snug.

Retain hex key with Owner's Manual.

Place Dishwasher in Cabinet

Refer to the section "Electrical Connection" in this Owner's Manual for connecting to the power supply before placing the dishwasher in the cabinet.

⚠WARNING

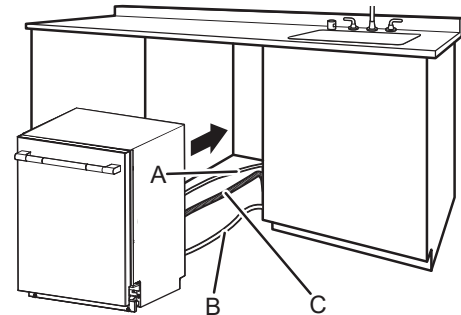
Excessive Weight Hazard

Use two or more people to move and install or uninstall appliance.

Failure to do so can result in back or other injury.

NOTE: Route water supply, drain hose, and power cord out the rear of the dishwasher.

16. Move dishwasher close to cabinet opening

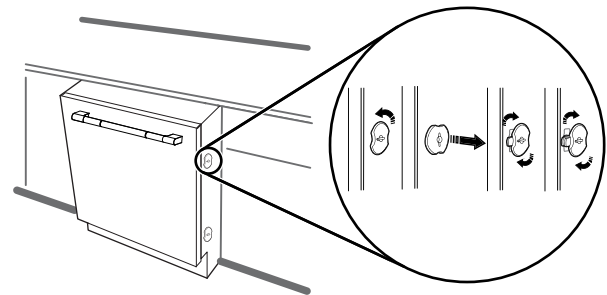


- A. Water line
- B. Junction box cable
- C. Drain hose

Route the utilities through the holes in the cabinet and pull the slack out at the same time as the dishwasher is pushed into the cabinet.

NOTE: Route electrical lines only through the electrical conduit hole that was previously sanded or protected by a grommet.

17. Adjust side spacers



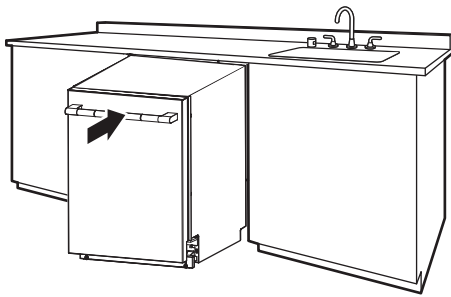
Measure the top and bottom width of opening of the frame less cabinet. Remove and adjust the 4 included dishwasher spacers, by turning 90 degrees, and removing with a slotted screwdriver. Each spacer has 3 positions.

NOTE: If the cabinets are not frame less, additional spacers will be required (included) and need to be applied by the installer.

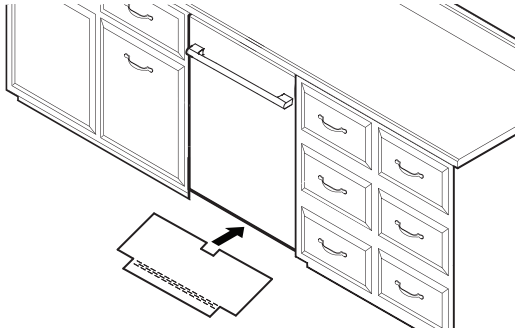
Types of Cabinets	Types of Attachment
Frame less cabinets	Plastic spacers
Face frame cabinets	Metal brackets

See section "Secure Dishwasher in Cabinet Opening" in this Owner's Manual for Securing dishwasher with different types of cabinets.

18. Move Dishwasher into final position



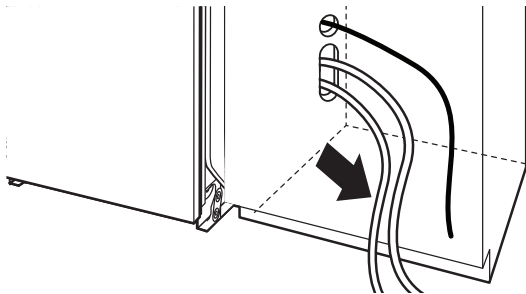
19. Place foam insulation pad below the dishwasher (on some models)



After pushing the dishwasher in the cabinet opening, adjust the leveling feet to standard height of $33\frac{7}{8}$ " (860 mm) and up. Then take the floor insulation pad and slide it from the front (gap between the floor & the drip tray).

The floor pad is designed to go around the leveling legs.

20. Pull slack from utilities

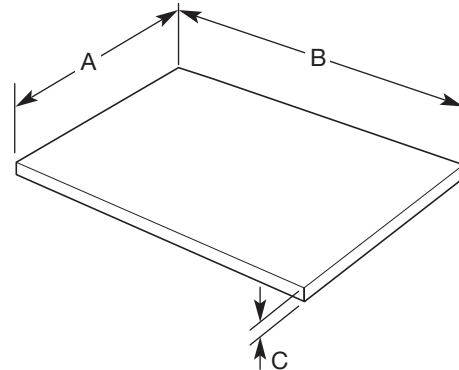


NOTE: Pull slack out of utilities at the same time the dishwasher is pushed into the cabinet opening to avoid any kinks.

Custom Panel Installation (on some models)

Custom Panel Dimension

Make sure that the custom panel is as per the recommended dimensions. See below image for the recommended dimensions.



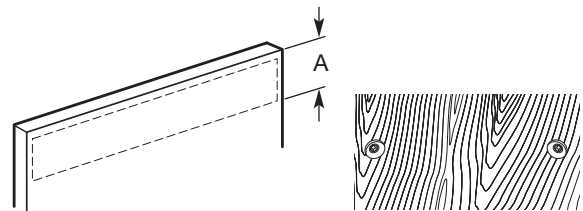
- A. $23\frac{9}{16}$ " (598 mm)
- B. $28\frac{3}{8}$ "-30" (720-762 mm)
- C. $5/8$ "-1" (16-25 mm)

A customer supplied door panel must weigh no more than 16 lbs (7.3 kg) with the handle (together). And must be made to specific dimensions as given above. It is recommended that a cabinet maker cut the custom panel because of the precise dimensions needed.

NOTE: The handle for the custom panel is not included.

Custom Panel Installation steps

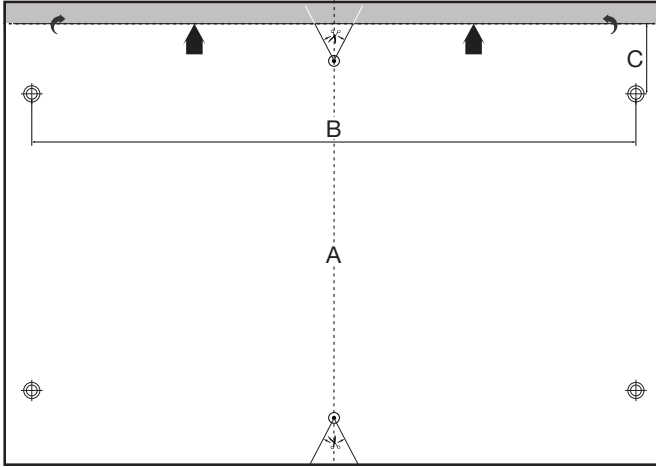
1. In an area that is flat and clear of debris, place down a blanket as a work surface.
2. Attach the custom panel handle as you would any other cabinet handle. Be sure to protect the finished surface with painters tape when preparing and recessing the rear panel to conceal attachment hardware.
3. Install the custom hardware handle(s) on the front of the custom panel, inside dotted line as shown below



A. 6" (152.4 mm)

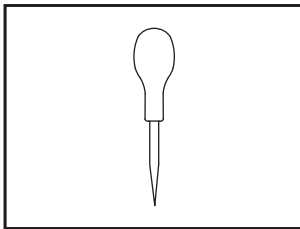
IMPORTANT: If the handle is attached from the back of the custom panel, the screw holes should be countersunk for the screw heads to be flush with the panel. If the handle is attached to the front of the custom panel, the screw lengths cannot exceed the panel thickness.

- Place the custom panel with the face side down on the blanket, and note the planned top and bottom of the panel if applicable.

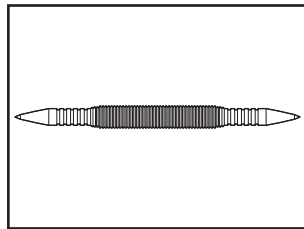


- A. $23\frac{5}{8}$ " (600 mm)
- B. $22\frac{1}{16}$ " (560 mm)
- C. $2\frac{9}{16}$ " (65 mm)

- Using a tape measure, measure the top, center and bottom width of the panel, and mark the center location with either the edge of a tape piece or with a fine point pencil.
- Using the straight edge draw a line connecting all the marked center lines so that the center of the panel is identified.
- Using the provided template, align the centerline of the template with the center line of the door.

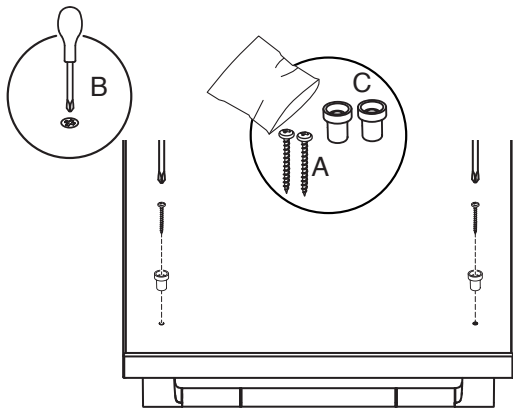


Awl



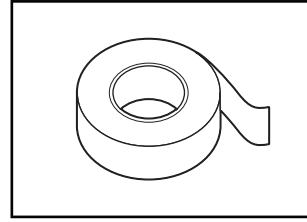
Center punch

- Using a center punch or awl, mark the 2 locations on the template to be used for attaching the door studs. Remove the template. Attach the 2 door studs to custom panel using the included screws.



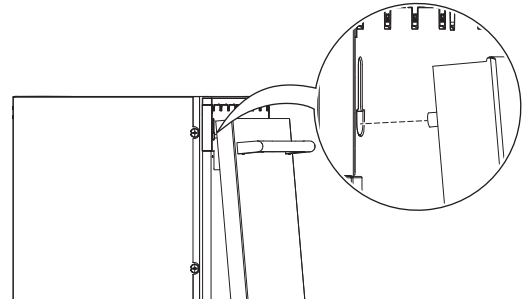
- A. 3.5 mm x 18 mm Phillips head screw (2)
- B. #2 Phillips screwdriver
- C. Studs

- Attach double sided adhesive to the door panel in the lower half, to temporarily aid in door alignment. These pieces of adhesive can be removed later after getting all the holes perfectly aligned.

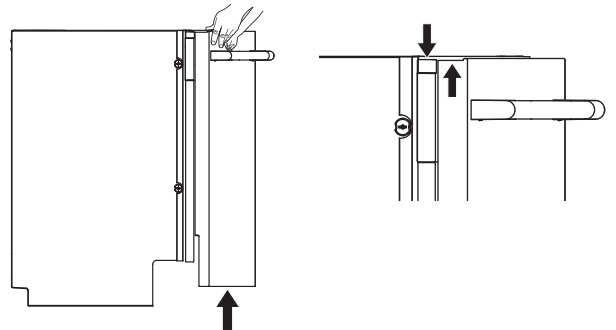


Double sided adhesive

- Insert one of the wood blocks from the packaging across the door opening to prop the door slightly open.
- Align the two door studs to the referenced tracks on the door, lifting up the door until the top panel is flush with the top of the dishwasher door.

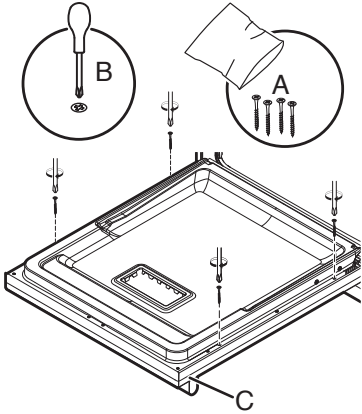


- While holding the alignment, press on the lower section of the door, to allow the double sided tape to grab and hold your alignment.



- If this process needs adjusting, Use a plastic putty knife between the panel and the door to relieve the double sided tape and free the panel.
- Open the door and panel together to the fully open position, making sure the panel has not shifted.

15. Consider the material choice of the custom panel and attach the 1st of the 4 included door panel screws using a Phillips screwdriver. Check to ensure the door panel is still aligned. Repeat the screw installation for the 2nd hole.



- A. 4 x 38 mm Phillips head screw (4)
- B. #2 Phillips screwdriver
- C. Custom panel

16. Check to ensure the door panel is still aligned.
17. Repeat the screw installation for the last 2 screws.
18. If desired, remove the screws and the panel to remove the temporary double sided tape.
19. If the door to cabinet gaps are not even, make an adjustment to the dishwasher by loosening all 4 screws mounted to the adjacent cabinets. Make the position adjustment.
20. Retighten all 4 screws mounted to the adjacent cabinets. All screws need to be tight to prevent the dishwasher from moving.

Electrical Connection

If house wiring does not reach into the adjacent cabinet to the dishwasher junction box mounting location, the house wiring will first need to be corrected by a qualified electrician in conformance with the National Electrical Code, ANSI/NFPA 70 - latest edition, and all local codes and ordinances.

⚠ WARNING



Fire Hazard

Use only the junction box supplied with the product when making electrical connections.

Do not bypass the junction box.

Failure to follow these instructions can result in death, fire, or electrical shock.

⚠ WARNING



Electrical Shock Hazard

Electrically ground appliance.

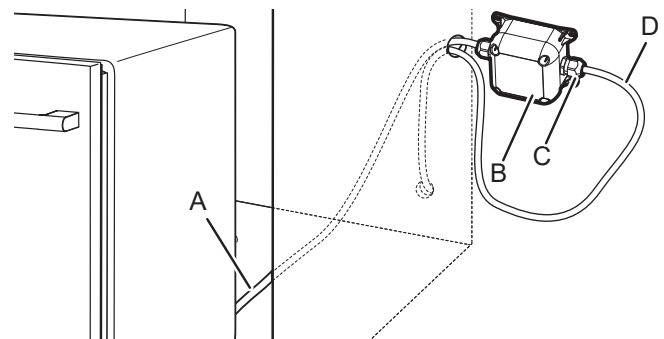
Connect wires together inside the junction box using the supplied wire nuts.

Do not use an extension cord.

Failure to follow these instructions can result in death, fire, or electrical shock.

Direct Wire Connection

1. Route the junction box cable from the dishwasher through the electrical conduit hole in the cabinet wall. Also route the home wiring through the same hole as shown below.



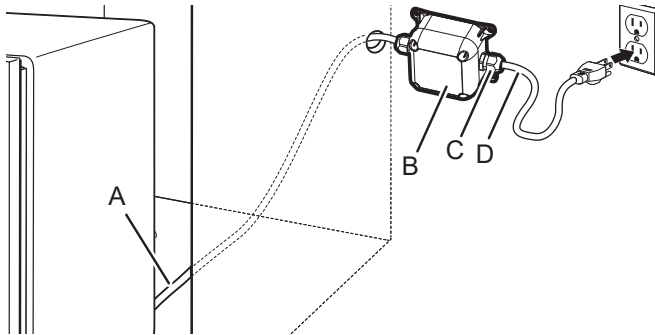
- A. Junction box cable
- B. Junction box
- C. Cable fittings (2)
- D. Home wiring

2. Refer to "Junction Box Assembly" section of this Owner's Manual to attach cable fitting to the home wiring and its assembly.
3. After the complete assembly of Junction box with home wiring, Secure the junction box to the back of the cabinet wall using four screws (not provided). Be sure to avoid driving screws into utility lines possibly located in the wall behind the junction box.

Power Cord Connection

1. Use power cord kit (sold separately per Whirlpool Part Number W11670634) and Junction box assembly (included) for connecting the dishwasher to the power supply as shown below. The power cord kit includes a straight plug that is recommended for most installations.

NOTE: To ease some installations, a power cord with a right angle plug is also available per Whirlpool Part Number W11645183.



- A. Junction box cable
- B. Junction box
- C. Cable fittings (2)
- D. Power cord

IMPORTANT: Do not plug cord into an outlet until instructed to do so.

2. Refer to "Junction Box Assembly" section of this Owner's Manual to attach cable fitting to the power cord and its assembly.
3. After complete assembly of Junction box with Power cord, Secure the junction box to the back of the cabinet wall using four screws (not provided). Be sure to avoid driving screws into utility lines possibly located in the wall behind the junction box.

Junction Box Assembly

1. The junction box comes in a plastic bag located inside a cardboard box in the lower rack of the dishwasher (previously removed at the beginning of the installation process).

⚠ DANGER



Electrical Shock Hazard

Disconnect power before servicing.

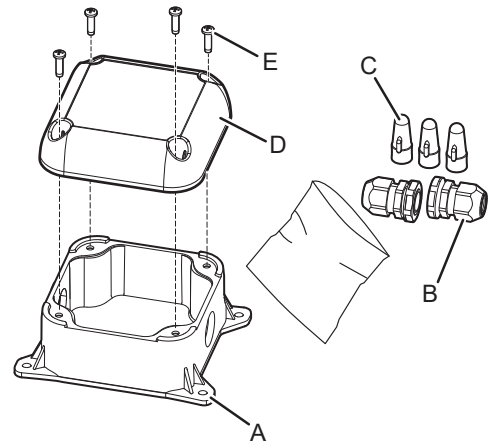
Fully assemble cable fittings.

Place all wiring inside junction box.

Replace cover before reconnecting power.

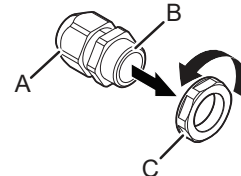
Failure to do so can result in death, fire, or electrical shock.

2. Route the junction box cable from the dishwasher through the electrical conduit hole in the cabinet wall.
3. Use a #2 Phillips screwdriver to remove the Junction box lid from the junction box (4 screws).
4. Remove the plastic bag containing cable fittings and wire nuts from the inside of the junction box. Take out the cable fittings and wire nuts from plastic bag.



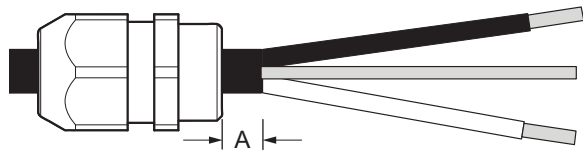
- A. Junction box base
- B. Cable fittings (2)
- C. Wire nuts (3)
- D. Junction box lid
- E. Screws (4)

5. Remove the mounting nuts from cable fittings as shown below.

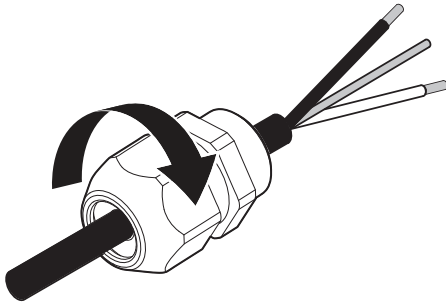


- A. Elongated (strain relief) nut
- B. Strain relief body
- C. Mounting nut

6. Attach one cable fitting to the junction box cable from the dishwasher paying thorough attention to the orientation (see below figure). The cable fitting shall tighten against the secondary insulation (PVC jacket).

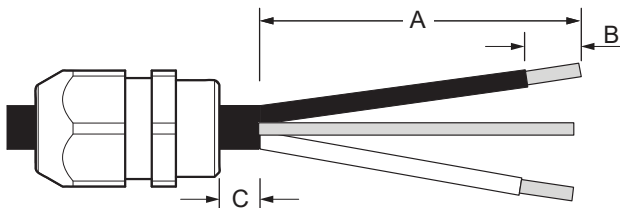


A. 0.25" (6.35 mm) minimum



Use wrench and/or pliers to fully tighten the elongated (strain relief) nut against the strain relief body.

7. For Direct (home) wire connection (12-2/14-2 non-metallic sheathed/Romex), Strip jacket insulation of the home wire to expose the wires to the length of $5\frac{1}{16}$ " (129.3 mm) as shown below. Strip each wire end by 0.75" (19 mm). Attach the second cable fitting to home wiring paying attention to the orientation (see below figure). Use wrench and/or pliers to fully tighten the elongated (strain relief) nut against the strain relief body.

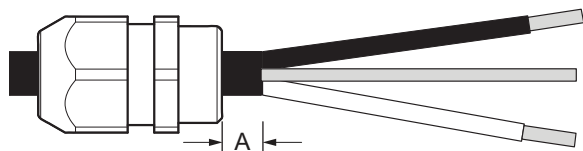


A. $3\frac{3}{4}$ " (95 mm)

B. 0.75" (19 mm)

C. 0.25" (6.35 mm) minimum

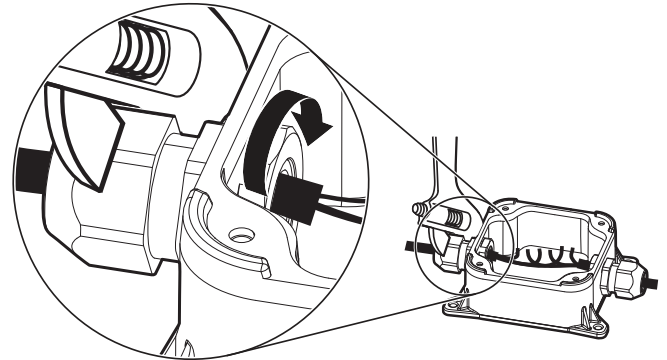
8. For power cord connection, attach the second cable fitting to the power cord paying attention to the orientation (see below figure). Use wrench and/or pliers to fully tighten the elongated (strain relief) nut against the strain relief body.



A. 0.25" (6.35 mm) minimum

NOTE: Non-metallic sheathed wire is for direct wire connection only.

9. Route wire ends into the junction box through the round holes on the sides. Securely attach the cable fittings to the junction box using plastic mounting nuts supplied with the cable fittings. Hand tighten the mounting nuts to the cable fittings and then use a crescent wrench to tighten another 1/4 turn. Use a second wrench or pliers to secure the cable fitting body when tightening the mounting nut.



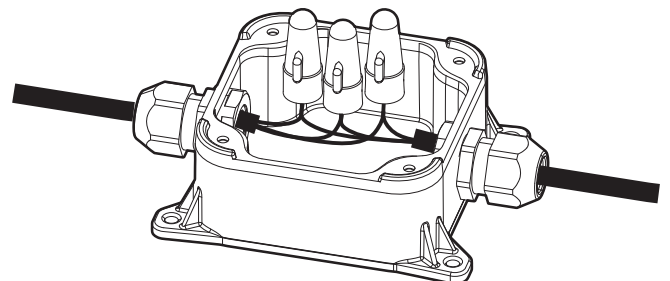
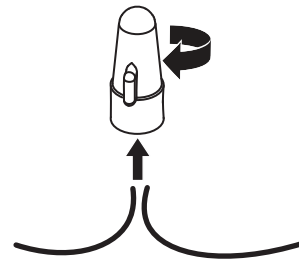
10. Connect wires together inside the junction box using the supplied wire nuts. Connect wires of the same color together (black to black, white to white, and bare/green to green).

NOTE: Do not pre-twist wires before making connections.

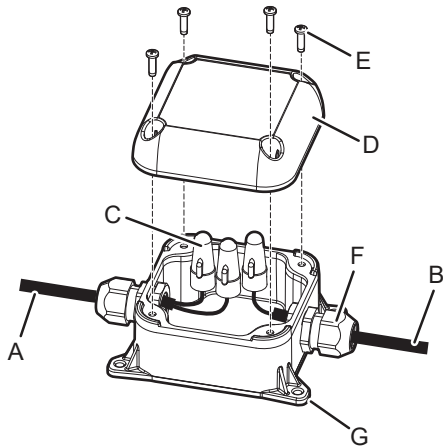
Wiring configuration

Home Wire or Power Cord		Junction Box Cable
white	↔	white
black	↔	black
bare/green	↔	green

11. To apply a wire nut, hold the stripped/bare ends of wires parallel to each other with their ends aligned. Firmly push wires into a wire nut and twist clockwise until secure (the insulated wires outside the connector begin to twist). Gently tug on each wire making sure they are secure.

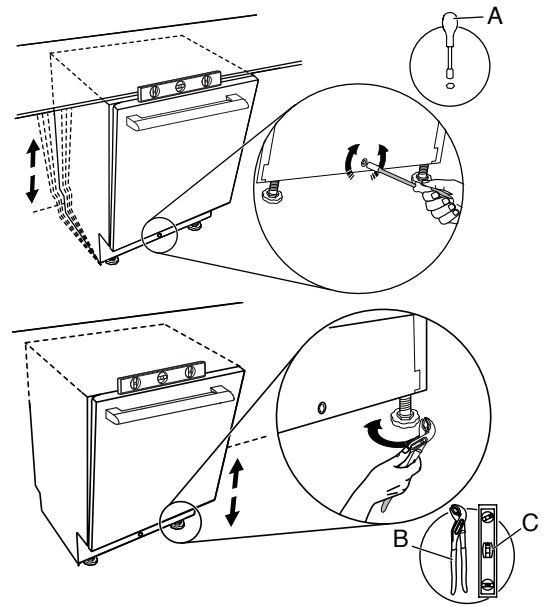


12. Re-attach the junction box lid using a #2 Phillips screwdriver. Ensure that wires are not being pinched between the lid and base of the junction box. Attach Junction box lid with the 4 screws removed in step 3 and ensure lid is fully closed and snugly attached to base.



- A. Junction box cable
- B. Power cord or Home wiring
- C. Wire nuts (3)
- D. Junction box lid
- E. Screws (4)
- F. Cable fittings (2)
- G. Junction box base

23. Check for plumb and adjust legs if needed



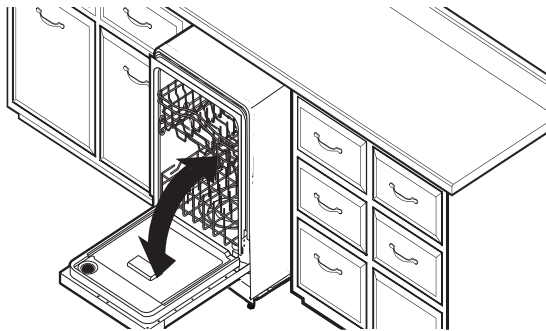
- A. 5/16" (8 mm) nut drivers or hexsockets
- B. Pliers - Adjustable upto 2" (5.0 cm)
- C. Small level

Use an adjustable wrench to adjust the front feet and a 5/16" (8 mm) socket to adjust the rear foot. Raise the dishwasher to 1/8" (3 mm) of the counter top. Check that the dishwasher is centered from left to right in the opening. If needed, adjust the leveling legs until the dishwasher is plumb.

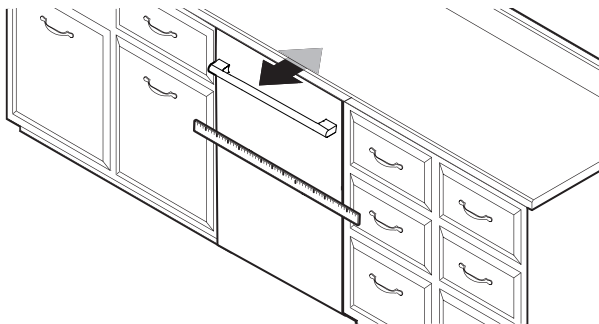
Helpful Tip: If the front leveling feet are hard to adjust, protect the customer's floor and use an adjustable wrench. Or alternately, use of 2 or more air shims to temporarily lift the front of the dishwasher.

Final Installation Check

21. Open and close door



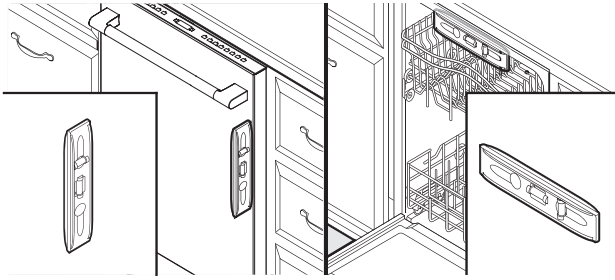
22. Align Dishwasher Flush to Cabinet



Align dishwasher flush to cabinet.

Secure Dishwasher in Cabinet Opening

24. Double-check dishwasher alignment in cabinet opening

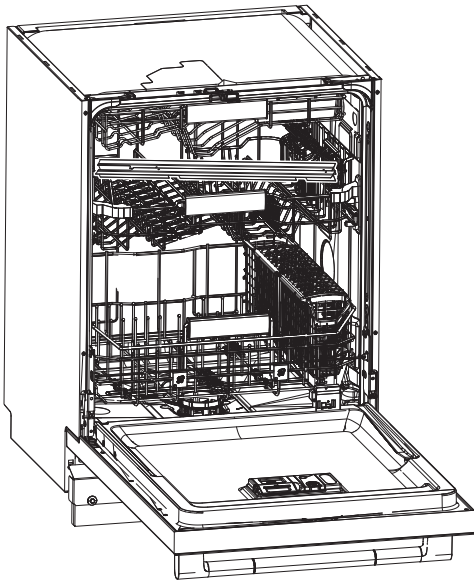


Check that dishwasher is still level front to back and side to side in the cabinet opening.

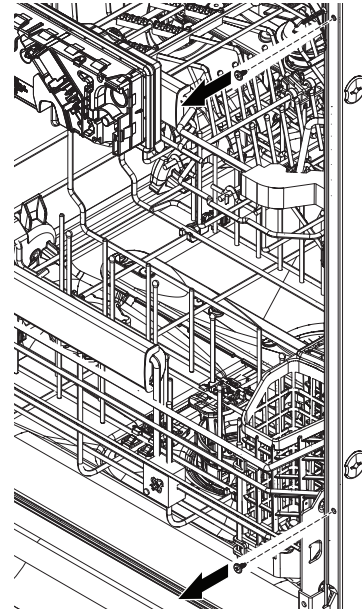
Open dishwasher door and place towel over pump assembly and spray arm of dishwasher. For some models, you may have to remove lower dish rack. This will keep screws from falling into pump area when you are securing dishwasher to countertop or cabinet.

25. Side Gap Covers

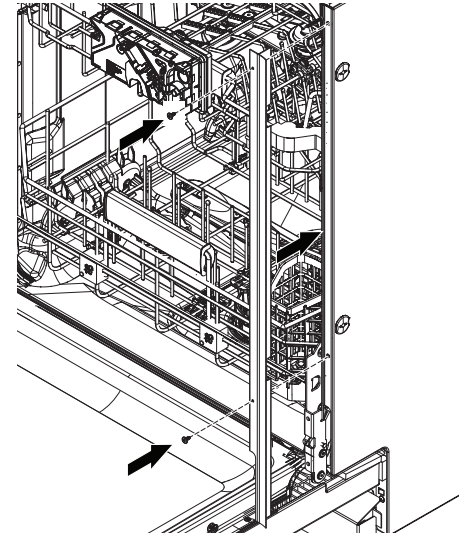
1. Remove the Side Gap Covers from the 2nd level rack of the dishwasher.



2. Remove the four screw from dishwasher.



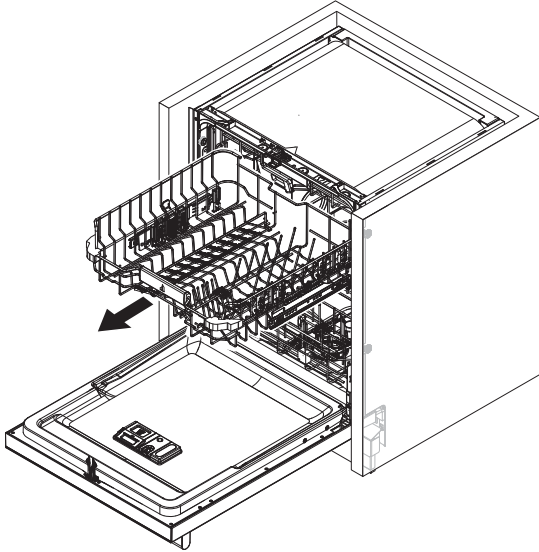
3. Position the Side Gap Cover as shown below and make sure to install the top screw first and the bottom screw at last.



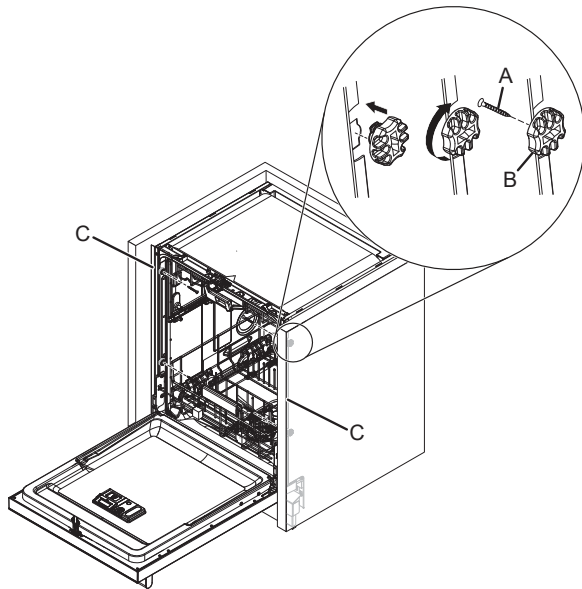
4. Repeat above step to install the other Side Gap Cover to the dishwasher.

26. For Frame less Cabinets

1. Remove upper rack for easier access.



2. Use four Thick plastic (included) spacers between cabinet wall and the side wall panels of the dishwasher.
3. Each spacers has three positions depending on the gap available, insert the spacer into the side panel of the dishwasher and turn the spacer by 90 degrees.



- A. 3.5 mm x 18 mm Phillips-head screws (4) B. Thick plastic spacers (4)
C. Side gap covers (2)

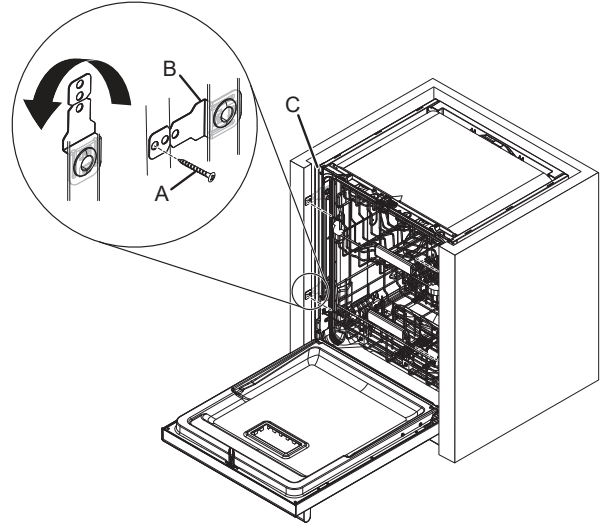
4. Once the spacers are locked into the position. Secure the dishwasher to cabinet with four 3.5 mm x 18 mm Phillips-head screws (included).

NOTES:

- The dishwasher must be secured to keep it from shifting when the door is opened or closed.
- Do not drop screws into bottom of dishwasher.

27. For Face Frame Cabinets

1. Use four Metal brackets (included) between Face frame and the side wall panels of the dishwasher.
2. Each bracket needs to be inserted into the slots at the side panel of the dishwasher and turn the brackets by 90 degrees towards the cabinet opening.
3. Once the spacers are locked into position, Secure the dishwasher to cabinet with four 3.5 mm x 18 mm Phillips-head screws (included).



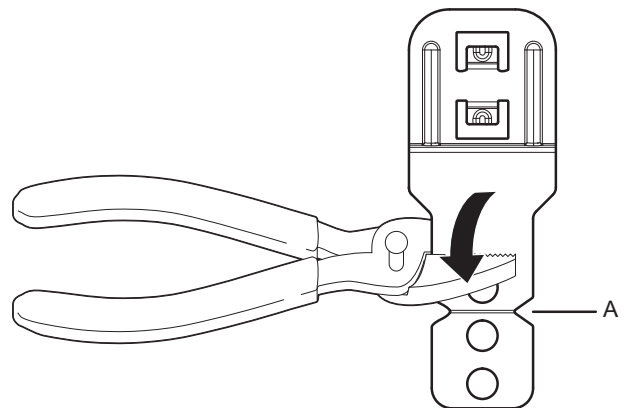
- A. 3.5 mm x 18 mm Phillips-head screws (4) B. Metal brackets (4)
C. Side gap covers (2)

NOTES:

- The dishwasher must be secured to keep it from shifting when the door is opened or closed.
- Do not drop screws into bottom of dishwasher.

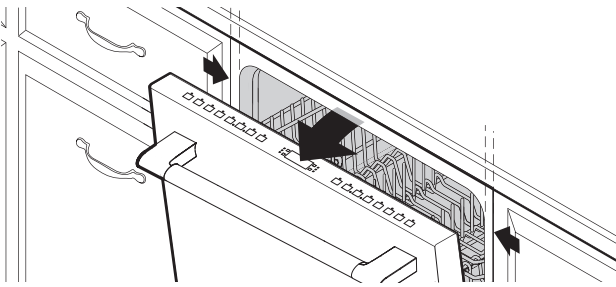
28. Break end of the brackets

Depending on the depth of the gap between dishwasher and the face of the frame, Break off the end of the brackets along the scored line using pliers to adjust the required length of the bracket. Use sandpaper to smooth any burrs.



- A. Score line

29. Check inner spacing

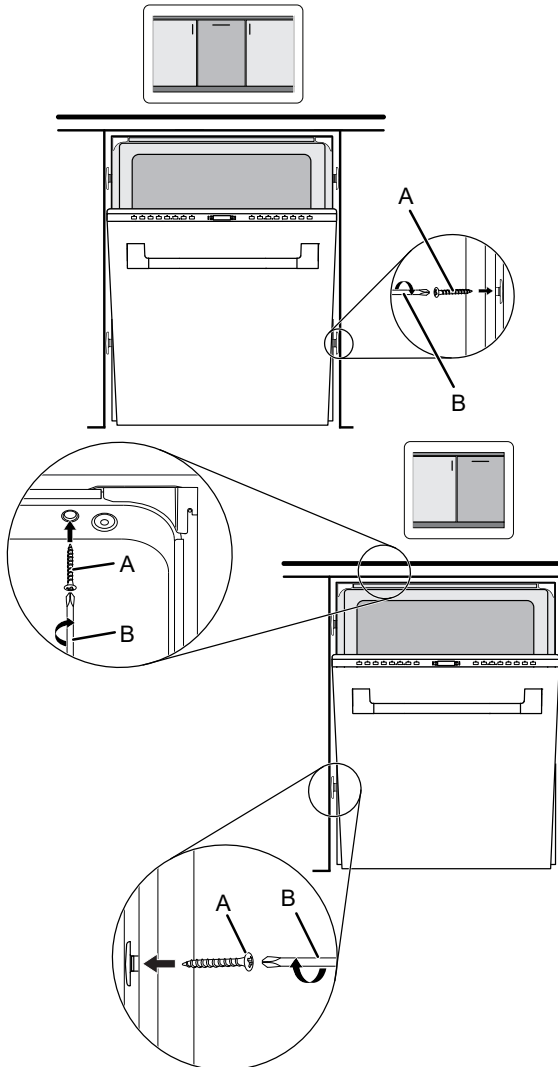


Open door and check that space between dishwasher cabinet opening and tub is equal on both sides. If spacing is not equal, loosen bracket screws and shift tub. Tighten bracket screws.

Choose Anchor Attachment Method

IMPORTANT: The dishwasher must be secured to the cabinet as one of the final steps. Prepare the dishwasher for this by attaching the dishwasher to the cabinets using at least 4 of the 6 available screw holes.

30. Cabinet Attachment:

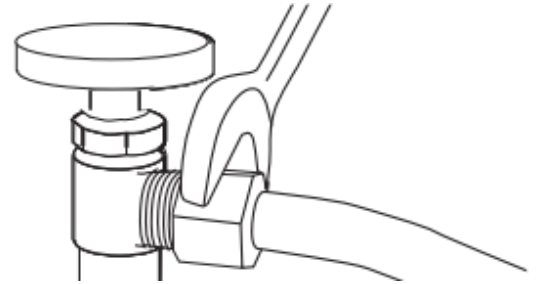


A. #3.5 x 18 mm screws (4) for Cabinet mount
B. #2 Phillips screwdriver

Remove the short screws from the package and insert them into four of the six mounting holes provided. Using a Phillips head screw driver, screw them into the cabinet. If longer screws are needed, the installer will need to provide.

Connect Water Line to House Shutoff Valve

31. Attach water supply line



Attach the water supply line (flexible braided line) to the hot water line using a connection configuration that is in compliance with local codes and ordinances. The water supply to the dishwasher should have a manual shutoff valve located under the sink.

Connect Drain Hose

32. Connect drain hose

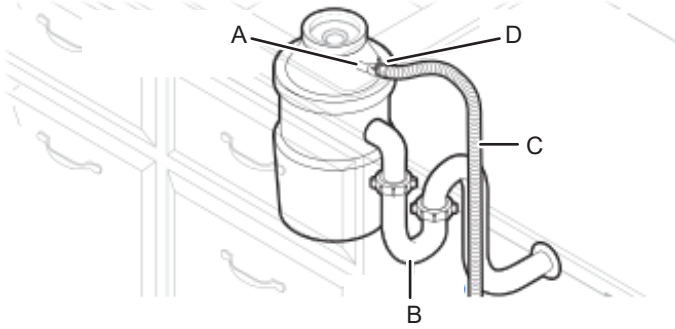
Connect drain hose to waste tee or waste disposer using one of the following options:

- Option A: Waste disposer – no air gap
- Option B: No waste disposer – no air gap
- Option C: Waste disposer – with air gap
- Option D: No waste disposer – with air gap

IMPORTANT: The drain hose connection of the disposer or a waste tee must be made before the drain trap and at least 20" (508 mm) above the floor where the dishwasher will be installed.

Helpful Tip: To reduce vibration of the hose, keep the hose away from the floor.

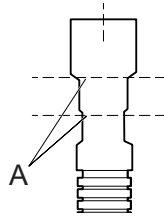
Option A: Waste disposer – no air gap



- A. Disposer inlet
- B. Drain trap
- C. Drain hose
- D. Drain hose clamp (red color)

Helpful Tip: Remove disposer knockout plug.

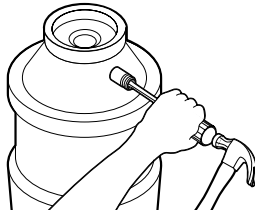
1. Fit rubber end (A) of drain hose to waste tee and cut if needed.



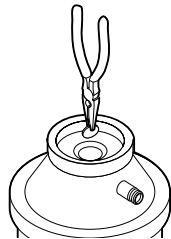
A. Two cut lines

NOTE: Do not cut ribbed section.

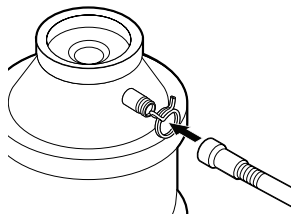
2. Using a hammer and screwdriver, knock plug into disposer.



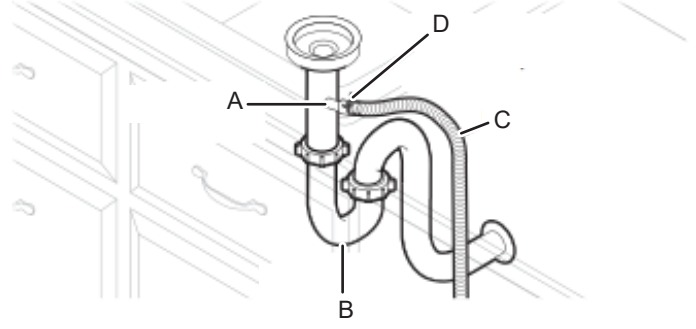
3. Use needle-nose pliers to remove plug.



4. Attach drain hose to disposer inlet with drain hose clamp (red color) (provided). Use pliers to squeeze clamp open and move into position.

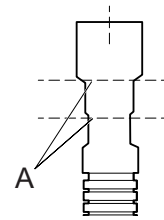


Option B: No waste disposer – no air gap



- A. Waste tee
- B. Drain trap
- C. Drain hose
- D. Drain hose clamp (red color)

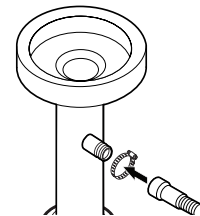
1. Fit rubber end (A) of drain hose to waste tee and cut if needed.



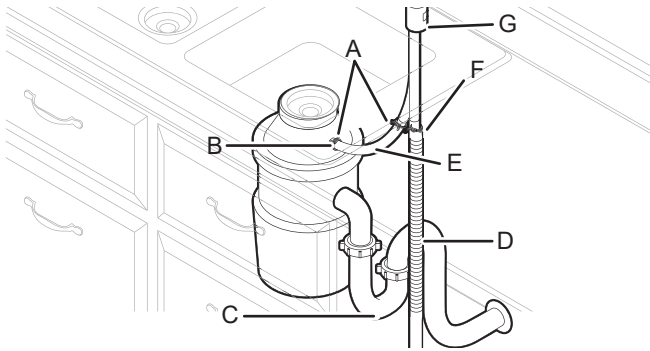
A. Two cut lines

NOTE: Do not cut ribbed section.

2. Attach rubber end of drain hose to waste tee with a drain hose clamp (red color) (provided). Use pliers to squeeze clamp open and move into position. If the drain hose was cut, use a 1½" to 2" (38 mm to 50 mm) screw-type clamp (not provided).



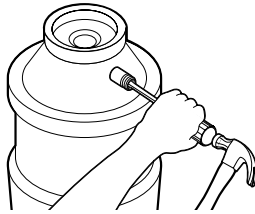
Option C: Waste disposer – with air gap



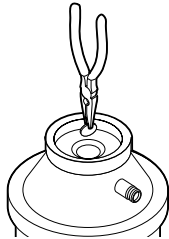
- | | |
|----------------------|---------------------------------|
| A. Screw-type clamps | E. Rubber hose connector |
| B. Disposer inlet | F. Drain hose clamp (red color) |
| C. Drain trap | G. Air gap |
| D. Drain hose | |

Helpful Tip: Remove disposer knockout plug.

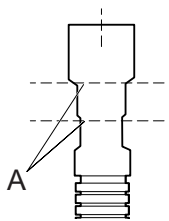
- Using a hammer and screwdriver, knock plug into disposer.



- Use needle-nose pliers to remove plug.



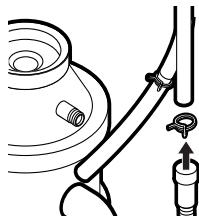
- Connect rubber end (A) of drain hose to air gap and cut if needed.



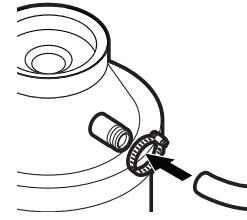
A. Two cut lines

NOTE: Do not cut ribbed section.

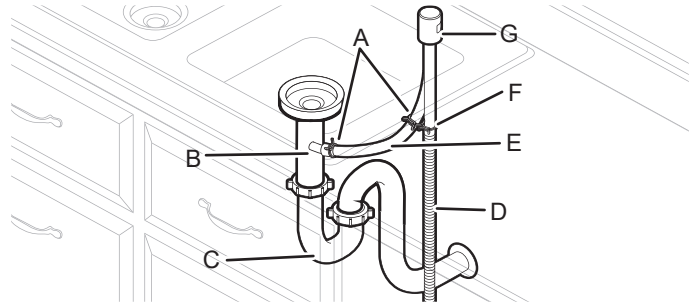
- Attach drain hose to air gap with drain hose clamp (red color) (provided). Use pliers to squeeze clamp open and move into position. If the drain hose was cut, use a 1½" to 2" (38 mm to 50 mm) screw-type clamp (not provided).



- Use a rubber hose (not provided) with screw-type clamps (not provided) to connect from air gap to disposer inlet.

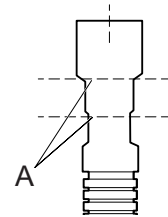


Option D: No waste disposer – with air gap



- | | |
|----------------------|---------------------------------|
| A. Screw-type clamps | E. Rubber hose connector |
| B. Waste tee | F. Drain hose clamp (red color) |
| C. Drain trap | G. Air gap |
| D. Drain hose | |

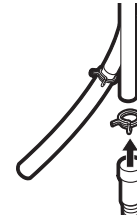
- Connect rubber end (A) of drain hose to air gap and cut if needed.



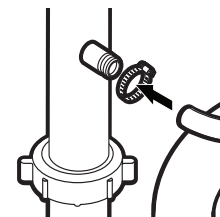
A. Two cut lines

NOTE: Do not cut ribbed section.

- Attach drain hose to air gap with drain hose clamp (red color) (provided). Use pliers to squeeze clamp open and move into position. If the drain hose was cut, use a 1½" to 2" (38 mm to 50 mm) screw-type clamp (not provided).



- Use a rubber hose (not provided) with screw-type clamps (not provided) to connect from waste tee to air gap.



Complete Installation

⚠WARNING



Electrical Shock Hazard

Plug into a grounded 3 prong outlet.

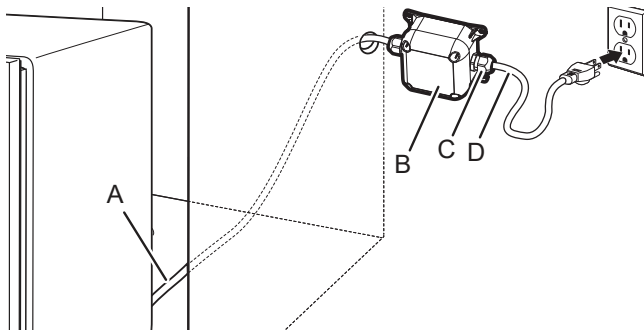
Do not remove ground prong.

Do not use an adapter.

Do not use an extension cord.

Failure to follow these instructions can result in death, fire, or electrical shock.

33. Power supply cord – Plug into a grounded 3 prong outlet



A. Junction box cable
B. Junction box

C. Cable fittings (2)
D. Power cord

Plug into a grounded 3-prong outlet.

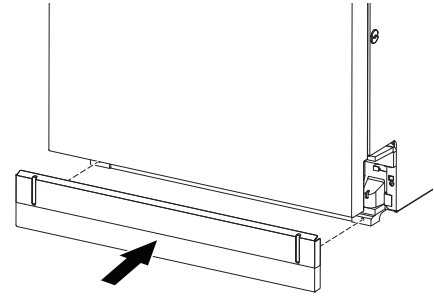
34. Reconnect power

Reconnect electrical power at the fuse box or circuit breaker box.

NOTE: With the access panel off, start the dishwasher and allow it to complete the shortest wash cycle. After the first 2 minutes, unlatch door, wait 5 seconds, and then open door. Check that there is water in the bottom of the dishwasher tub. Check that dishwasher is working properly.

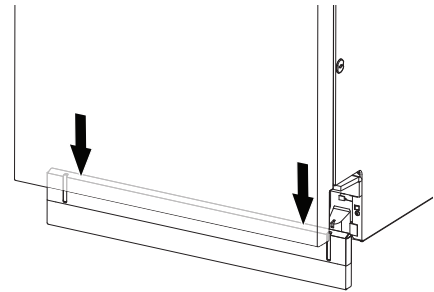
Install Access Panel

35. Install the toe panel



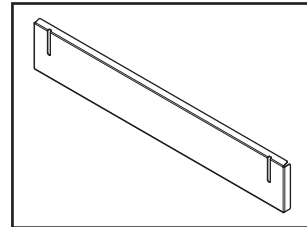
Install the toe panel as shown in the above image.

36. Check toe panel edge

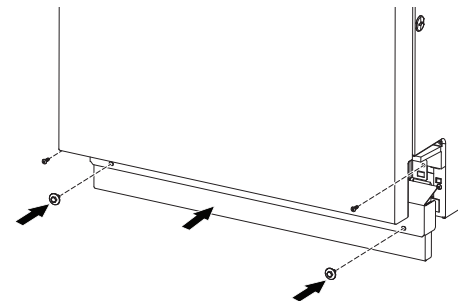


Check that the lower edge of the toe panel touches the floor. Adjust if necessary.

IMPORTANT: If there is visible gap to the floor after installing the toe panel, replace it with alternate (tall) toe panel supplied with dishwasher, shipped at the back of the dishwasher.

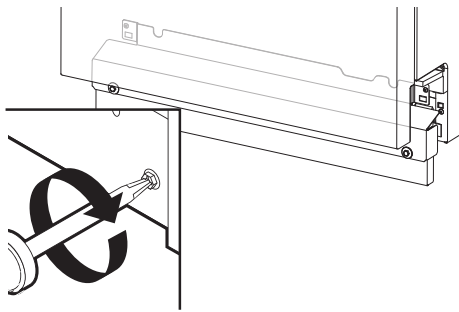


37. Install access panels



Place the access panel against dishwasher legs. Using a Phillips screwdriver or 1/4" nut driver, reinstall the screws through the holes in the access panel.

38. Tighten screws

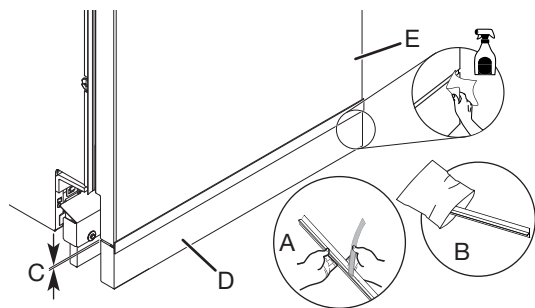


Tighten access panel screws.

T-Gasket Installation (on some models)

If an installer will be using a custom access panel to be mounted on top of the unit's access panel and if the installer chooses to cover the seam gap then the T-Gasket bottom could be attached between the custom front panel & the access panel.

Custom access panel can be attached to the top of the dishwasher access panel. Installer can use T-Gasket to fill the gap between custom access panel and custom panel door (as shown below).



- A. T-Gasket
- B. Polybag
- C. 3/16" (5 mm)
- D. Custom Access Panel
- E. Custom Panel Door

1. Remove the adhesive strips from the T-Gasket and attach it to the top surface of custom access panel. Start along the left or right edge and continue along that edge.
2. Using a paper towel or cloth, press along the front surface of the T-Gasket to ensure it is flushed well.

Check Operation

- Read the dishwasher Quick Start Guide that came with your dishwasher.
- Check that all parts have been installed and no steps were skipped.

If the dishwasher is not working properly, disconnect power or unplug dishwasher and refer to the "If Dishwasher Does Not Operate" section.

If Dishwasher Does Not Operate

First try the solutions suggested here to possibly avoid the cost of a service call.

- Has the circuit breaker tripped or the house fuse blown?
- Is the door closed tightly and latched?
- Has the cycle been set correctly to start the dishwasher?
- Is the water turned on?

If none of these possible solutions work, refer to the contact information referenced in your Quick Start Guide.

Additional Tips

Expect longer wash times. Your new dishwasher will average 2–5 hours per load but use nearly 40% less energy than older models. Designed with a low-wattage, low-energy-consumption motor, your dishwasher washes longer to ensure exceptional cleaning. Certain models are equipped with an optical water sensor, so the first cycle will run longer to calibrate the optical sensor. Selecting certain options could increase cycle time past 3.5 hours.

Rinse aid is necessary for good drying results:

This dishwasher is designed to be used with rinse aid for good drying performance and controlling hard-water-deposit buildup. Energy-efficient dishwashers use less water and energy, so they depend on the water sheeting action of rinse aid for good drying performance.

Start/Resume light may flash:

When pressing Start/Resume, you must make sure the door is closed within 4 seconds. If you do not close the door within 4 seconds, the Start/Resume light will flash until you press it again. (You must also do this when adding a dish during the middle of a cycle.)

SÉCURITÉ DU LAVE-VAISSELLE

Votre sécurité et celle des autres sont très importantes.

Nous donnons de nombreux messages de sécurité importants dans ce manuel et sur votre appareil. S'assurer de toujours lire tous les messages de sécurité et de s'y conformer.



Voici le symbole d'alerte de sécurité.

Ce symbole d'alerte de sécurité vous signale les dangers potentiels de décès et de blessures graves.

Tous les messages de sécurité suivront le symbole d'alerte de sécurité et le mot « DANGER » ou « AVERTISSEMENT ». Ces mots signifient :

⚠ DANGER

Vous courez un risque de décès ou de blessures graves si vous ne suivez pas immédiatement les instructions.

⚠ AVERTISSEMENT

Risque possible de décès ou de blessure grave si vous ne suivez pas les instructions.

Tous les messages de sécurité vous diront quel est le danger potentiel, comment réduire le risque de blessure et ce qui peut se produire en cas de non-respect des instructions.

IMPORTANTES INSTRUCTIONS DE SÉCURITÉ

AVERTISSEMENT : Lors de l'utilisation du lave-vaisselle, il convient d'observer certaines précautions fondamentales, dont :

- Lire toutes les instructions avant d'utiliser le lave-vaisselle.
- Utiliser le lave-vaisselle uniquement pour laver de la vaisselle.
- Utiliser seulement des détergents et agents mouillants recommandés pour les lave-vaisselle. Garder ces produits hors de la portée des enfants.
- Lors du chargement d'articles à laver :
 1. Placer les articles coupants pour qu'ils ne risquent pas d'endommager le joint de la porte; et
 2. Placer les couteaux, la poignée vers le haut, pour réduire les risques de blessure.
- Ne pas laver d'articles en plastique, sauf s'il est indiqué « lavable au lave-vaisselle » ou une mention équivalente. Pour les articles en plastique qui ne sont pas ainsi identifiés, vérifier les recommandations du fabricant.
- Ne pas toucher les éléments chauffants pendant ou immédiatement après l'utilisation.
- Ne pas mettre en marche le lave-vaisselle si un panneau de l'enceinte n'est pas correctement installé.
- Ne pas effectuer d'intervention non autorisée sur les commandes.
- Ne pas abuser de, s'asseoir sur ou se mettre debout sur la porte, ou les paniers à vaisselle du lave-vaisselle.
- Pour réduire les risques de blessure, ne pas laisser les enfants jouer dans ou près d'un lave-vaisselle.
- Dans certaines conditions, un système d'eau chaude qui n'a pas été utilisé depuis 2 semaines ou plus peut produire de l'hydrogène. L'HYDROGÈNE EST UN GAZ EXPLOSIF. Si le système d'eau chaude est resté inutilisé pendant une telle période, ouvrir tous les robinets d'eau chaude et laisser l'eau s'en écouler pendant plusieurs minutes avant d'utiliser le lave-vaisselle. Ceci libérera toute accumulation d'hydrogène. Le gaz est inflammable : ne pas fumer ou utiliser une flamme nue durant cette période.
- Enlever la porte du compartiment de lavage lorsqu'on cesse d'utiliser un vieux lave-vaisselle ou qu'on le jette.
- Ne pas utiliser de pièces de remplacement qui n'ont pas été recommandées par le fabricant (c.-à-d., des pièces fabriquées à la maison à l'aide d'une imprimante 3D).

CONSERVER CES INSTRUCTIONS

INSTRUCTIONS DE LIAISON À LA TERRE

Pour un appareil avec liaison à la terre et cordon d'alimentation :

Cet appareil doit être relié à la terre. En cas d'anomalie de fonctionnement ou de panne, la liaison à la terre réduira le risque de décharge électrique en offrant au courant électrique un itinéraire d'évacuation de moindre résistance. L'appareil est doté d'un cordon électrique comportant un conducteur de mise à la terre d'équipement et une fiche de branchement de liaison à la terre. La fiche doit être branchée à une prise de courant appropriée, bien installée et reliée à la terre conformément à tous les codes et règlements locaux.

AVERTISSEMENT : Un raccordement inapproprié du conducteur de mise à la terre de l'équipement peut causer un risque de décharge électrique. En cas de doute quant à la qualité de la mise à la terre de l'appareil, consulter un électricien ou un technicien d'entretien qualifié.

Ne pas modifier la fiche fournie avec l'appareil; si elle ne s'adapte pas à la prise, faire installer une prise appropriée par un électricien qualifié.

Pour un appareil raccordé en permanence :

Cet appareil doit être raccordé à un système de câblage permanent en métal relié à la terre, ou un conducteur de mise à la terre d'équipement doit être en fonction avec les conducteurs de circuit, et raccordé à la borne de mise à la terre d'équipement ou la borne sur l'appareil ménager.

CONSERVER CES INSTRUCTIONS

⚠ AVERTISSEMENT



Risque de basculement

Ne pas utiliser le lave-vaisselle jusqu'à ce qu'il soit complètement installé.

Ne pas appuyer sur la porte ouverte.

Le non-respect de ces instructions peut causer des blessures graves ou des coupures.

ENTRETIEN ET RÉPARATION DU LAVE-VAISSELLE

Instructions d'entretien par l'utilisateur

Nettoyage de l'extérieur

Nettoyer l'extérieur du lave-vaisselle seulement avec un chiffon doux et humide et un détergent doux. Si le lave-vaisselle possède une surface extérieure en acier inoxydable, il se peut que cette dernière soit recouverte d'une pellicule résistante aux traces de doigts. Ne pas utiliser de produits nettoyants abrasifs sur la surface extérieure du lave-vaisselle.

Nettoyage et entretien de l'intérieur

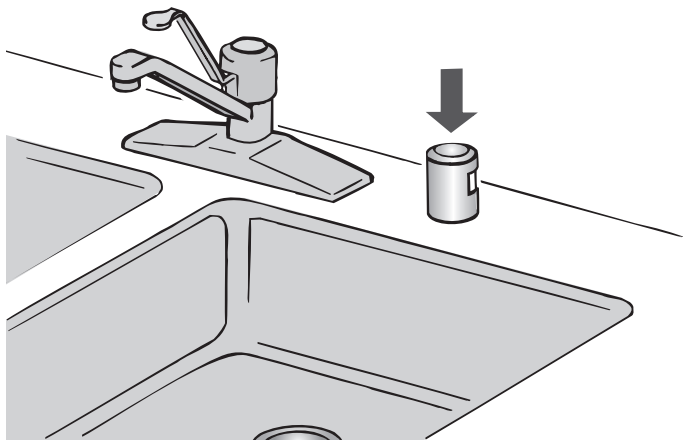
Plusieurs détergents peuvent laisser des taches ou résidus blancs sur le lave-vaisselle ou à l'intérieur du lave-vaisselle. Avec le temps, ces résidus peuvent devenir indésirables et nuire au bon fonctionnement du lave-vaisselle. L'utilisation d'un produit de nettoyage pour lave-vaisselle comme affresh®+ Le nettoyant pour lave-vaisselle peut aider à éliminer les résidus. Une utilisation mensuelle du nettoyant pour lave-vaisselle affresh® est recommandé pour aider à entretenir le lave-vaisselle. Suivre les indications sur l'emballage.

Il est aussi possible d'effectuer un rinçage au vinaigre pour éliminer les résidus blancs. Cependant, le vinaigre est un acide et son utilisation trop fréquente pourrait endommager le lave-vaisselle.

Verser 2 tasses (500 ml) de vinaigre blanc dans un verre ou une tasse à mesurer lavable au lave-vaisselle et placer le contenant dans le panier inférieur (ne pas verser le vinaigre dans le fond du lave-vaisselle). Faire exécuter au lave-vaisselle un programme de lavage complet avec séchage à l'air ou une option de séchage économique. Ne pas utiliser de détergent. Le vinaigre se mélangera à l'eau de lavage.

REMARQUE : Nous recommandons des pastilles ou des sachets de détergent prémesuré de grande qualité, ainsi que de l'agent de rinçage pour effectuer le nettoyage du lave-vaisselle et pour une utilisation quotidienne.

Inspecter et nettoyer le dispositif anti-refoulement, le cas échéant, si le lave-vaisselle ne se vidange pas correctement.



Pour réduire le risque de dommages matériels durant les vacances ou une période d'inutilisation prolongée

- Si l'on n'utilise pas le lave-vaisselle pendant l'été, couper l'arrivée d'eau et l'alimentation électrique du lave-vaisselle.
- S'assurer que les tuyaux d'alimentation en eau sont protégés contre le gel. La formation de glace dans les canalisations d'arrivée d'eau peut entraîner une élévation de la pression en eau et endommager le lave-vaisselle ou le domicile. La garantie de l'appareil ne couvre pas les dommages imputables au gel.
- Lors du remisage du lave-vaisselle pendant l'hiver, éviter tout dommage lié à l'eau en faisant hiverner le lave-vaisselle par un fournisseur de services agréé.

Menu de réglages

1. Appuyer sur le bouton « Hi Temp » (température élevée) et le maintenir enfoncé pendant 5 secondes.
2. Relâcher le bouton « Hi Temp » (température élevée) et appuyer sur le bouton « Start/Resume » (mise en marche/reprise) dans les 2 secondes. Si on n'appuie pas sur le bouton de mise en marche dans les 2 secondes, l'affichage s'éteindra et il faudra recommencer à l'étape 1.
3. Pour accéder à une fonction autre que le niveau de dureté de l'eau, appuyer sur le bouton « Normal » pour passer à la fonction à modifier (niveau du produit de rinçage, niveau sonore, lumière dans la baignoire, cashère, réinitialisation aux valeurs d'usine). Consulter le tableau pour savoir ce qui s'affiche à l'écran pour indiquer ces caractéristiques.
4. Appuyer sur le bouton « Start/Resume » (mise en marche/reprise) pour sélectionner la caractéristique et accéder au sous-menu. L'écran changera pour afficher le réglage actuel de la caractéristique. (Par exemple, si le niveau sonore a été sélectionné et qu'il n'a jamais été modifié auparavant, « S1 » s'affichera).
5. Appuyer sur le bouton « Normal » pour modifier la valeur du réglage de la fonction. (Par exemple, pour désactiver le son, appuyer sur le bouton « Normal » et « S0 » apparaît sur les modèles d'affichage).
6. Appuyer sur le bouton « Start/Resume » (mise en marche/reprise) pour confirmer la nouvelle sélection. Le nouveau réglage de caractéristique ne sera pas enregistré si on n'appuie pas sur le bouton « Start/Resume » (mise en marche/reprise).

Le lave-vaisselle reviendra à l'état d'arrêt après avoir appuyé sur le bouton Start (mise en marche).

LETTRE	RÉGLAGE (Caractéristiques variables selon le modèle)	VALEURS (Par défaut – en gras)
(H)	Niveau de dureté de l'eau (voir « RÉGLAGE DE LA DURETÉ DE L'EAU » et « TABLEAU DE DURETÉ DE L'EAU »)	0 1 2 3 4 5
(R)	Rinse Aid Level (Niveau d'agent de rinçage) (voir « AJUSTEMENT DU DOSAGE DE L'AIDE AU RINÇAGE »)	0 1 2 3 4 5 6

LETTRE	RÉGLAGE (Caractéristiques variables selon le modèle)	VALEURS (Par défaut – en gras)
[S]	Son « 1 » = marche, « 0 » = arrêt	1 0
[L]	Éclairage dans la cuve (sur certains modèles) « 1 » = marche, « 0 » = arrêt	1 0
[E]	Mode cachère « 1 » = marche, « 0 » = arrêt	1 0
[L]	Affichage au plancher (sur certains modèles) « 1 » = marche, « 0 » = arrêt	1 0
[i]	Réglages d'usine Appuyer sur START/Pause (mise en marche/pause) pour rétablir les valeurs d'usine par défaut de tous les paramètres inclus dans le menu des paramètres.	–

REMARQUE : Consulter le guide des programmes en ligne pour obtenir des informations complètes sur les programmes et les réglages.

Système d'adoucisseur d'eau

IMPORTANT : Si l'eau est dure (plus de 15 grains) et qu'il n'y a pas d'adoucisseur d'eau au domicile, l'adoucisseur d'eau et l'élément chauffant peuvent être endommagés par l'accumulation de calcaire. Dans un tel cas d'eau dure, il convient d'utiliser l'adoucisseur d'eau du lave-vaisselle.

L'adoucisseur d'eau réduit la dureté de l'eau, réduisant ainsi l'accumulation de calcium sur l'élément chauffant, à l'intérieur du lave-vaisselle et sur la vaisselle. L'eau douce permet également à votre détergent de fonctionner plus efficacement. Ce système se régénère à l'aide de sel, il est donc nécessaire de maintenir le réservoir de sel rempli. Le processus de régénération se produit au besoin au cours d'un programme pour maintenir le bon fonctionnement de l'adoucisseur d'eau. La fréquence de régénération dépend du réglage du niveau de dureté de l'eau. Le système d'adoucissement de l'eau est « désactivé » par défaut en usine. Si l'adoucisseur d'eau doit être utilisé, le système doit être « activé » en sélectionnant un niveau de dureté de l'eau à l'aide du menu de réglage. Voir le tableau de réglage de la dureté de l'eau.

Réglage de la dureté de l'eau

Déterminer la dureté de l'eau en obtenant des informations dans un rapport sur la qualité de l'eau de votre fournisseur d'eau ou en achetant une trousse d'analyse de la dureté de l'eau dans une quincaillerie.

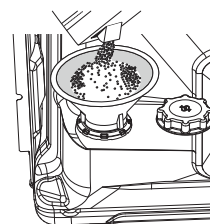
Le système d'adoucissement de l'eau est désactivé en usine (réglage de dureté « 0 »). Pour activer l'adoucisseur d'eau, il faut régler le niveau de dureté de l'eau dans le « SETTING MENU » (menu réglage) en utilisant la valeur de réglage de dureté du « TABLEAU DE NIVEAU DE DURETÉ DE L'EAU » suivant. Une fois le système activé, le réservoir de sel doit être rempli avec du sel spécial pour adoucisseur d'eau et de l'eau.

Niveau de dureté de l'eau		
Dureté	Grains par gallon (gpg)	Parties par million (ppm)
0	Adoucisseur d'eau désactivé (réglage d'usine)	
1	0-6	0-100
2	6-12	100-200
3	12-18	200-300
4	18-36	300-600
5	>36	>600

Remplissage du réservoir de sel

Le réservoir de sel est situé dans la partie inférieure du lave-vaisselle (sous le panier inférieur sur le côté gauche). Une fois que le système d'adoucissement de l'eau activé, il faut remplir le réservoir avec du sel d'adoucissement pour lave-vaisselle et de l'eau. Au fur et à mesure que la réserve de sel est épuisée par les régénérations successives du système, un témoin de manque de sel s'allume sur le panneau de commande, indiquant qu'il est temps de remplir le réservoir de sel. Une fois le sel rempli, le témoin s'éteint.

1. Retirer le panier inférieur et dévisser le bouchon du réservoir (en tournant le bouchon dans le sens inverse des aiguilles d'une montre).
2. Placer un entonnoir (fourni avec le lave-vaisselle) et remplir le réservoir de sel jusqu'au bord (environ 0,5 kg); il n'est pas rare qu'un peu d'eau s'écoule.



3. S'il s'agit du premier remplissage du réservoir, il est également nécessaire de remplir le réservoir d'eau après l'avoir rempli de sel. Lors du remplissage de sel, il n'est pas nécessaire d'ajouter de l'eau.
4. Retirer l'entonnoir et essuyer tout résidu de sel sur l'ouverture. S'assurer que le bouchon est bien vissé afin qu'aucun détergent ou aliment ne puisse pénétrer dans le réservoir pendant l'utilisation du lave-vaisselle (cela pourrait endommager l'adoucisseur d'eau de manière irréversible).

IMPORTANT : Effectuer un programme après chaque remplissage du réservoir de sel afin d'éviter la corrosion.

Nettoyage des filtres

Il est très facile de retirer et d'entretenir les filtres. Le tableau ci-dessous indique la fréquence de nettoyage recommandée.

Intervalles recommandés pour le nettoyage du filtre			
Nombre de charges par semaine	Si les plats ne sont que grattés avant le chargement*	Si les plats sont grattés et rincés avant le chargement	Si la vaisselle est lavée avant le chargement
8 à 12	Tous les deux mois	Tous les quatre mois	Une fois par an
4 à 7	Tous les deux mois	Une fois par an	Une fois par an
1 à 3	Deux fois par an	Une fois par an	Une fois par an

*Conseil du fabricant : Ceci permet d'économiser l'eau et l'énergie utilisées pour la préparation des plats. Cela vous épargne également du temps et des efforts.

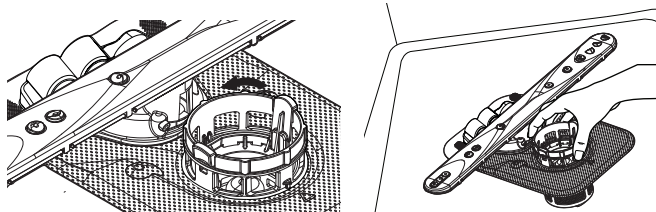
Eau très dure

Si l'eau est très dure (plus de 15 grains) et qu'il n'y a pas de système d'adoucissement de l'eau pour toute la maison, s'assurer d'activer et d'utiliser l'adoucisseur d'eau dans le lave-vaisselle. Nettoyer aussi le filtre au moins une fois par mois. L'accumulation de résidus blancs dans le lave-vaisselle est le signe d'une eau dure. Pour des conseils sur l'élimination des taches, voir la section en ligne « Dépannage ».

REMARQUE : Les références en ligne se trouvent dans le Guide de démarrage rapide.

Instructions de retrait du filtre

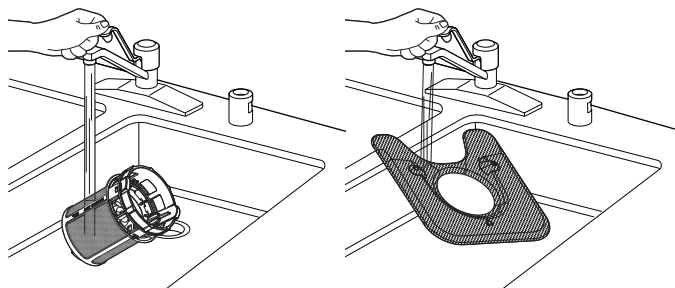
1. Tourner le filtre supérieur d'un quart de tour dans le sens antihoraire et le soulever.
2. Séparer le filtre supérieur en le détachant avec précaution.
3. Nettoyer les filtres comme indiqué.



Instructions de nettoyage

IMPORTANT : Ne pas utiliser de brosse métallique, de tampon à récurer, ou d'objets similaires, car ils peuvent endommager les filtres.

Rincer le filtre sous l'eau courante jusqu'à ce que la plupart des saletés soient éliminées. Si l'on remarque la présence de saletés ou de dépôts de calcaire causés par l'eau dure difficiles à éliminer, l'emploi d'une brosse douce sera peut-être nécessaire.



Pour des instructions plus détaillées sur l'installation du filtre après le nettoyage, regarder la vidéo en balayant le code à barres 2D :



Codes d'anomalies/témoins qui clignotent

Problème	Code affiché (affichage à 7 segments) (si présent)	Code affiché sur le panneau avant à DEL* (No qui clignote, pause, no qui clignote)	Que se passera-t-il?	Quoi faire?
Le lave-vaisselle ne parvient pas à bien faire fonctionner l'électrovanne	F1E1/F1E5	1 pause, 1 pause – pause, répétition	La séquence de vidange s'amorce, ce qui empêche la machine de fonctionner.	Fermer l'arrivée d'eau (si possible). Fermer l'alimentation électrique. S'il est impossible de fermer l'arrivée en eau, NE PAS fermer l'alimentation électrique et garder la porte fermée. Appuyer sur la touche Cancel (annuler) une fois pour arrêter l'alarme sonore. Faire un appel de service.
Défaillance de la commande du moteur	F1E2	1 pause, 2 pauses, répétition	Le programme prend fin.	Faire un appel de service.
Il n'y a pas d'eau dans le lave-vaisselle	H2O	8 pauses, 1 pause – pause, répétition	Le programme est en pause.	S'assurer que le tuyau de remplissage est branché au produit. S'assurer que l'alimentation en eau est ouverte. Appuyer sur Start (mise en marche) pour reprendre le programme. Si l'alarme est toujours présente, faire un appel de service.
Défaillance de la communication d'entretien de l'interface utilisateur	F6E1	6 pauses, 1 pause – pause, répétition	Le produit ne permet pas de lancer ou de reprendre un programme.	Faire un appel de service.
Défaillance du moteur de lavage	F7E2	7 pauses, 1 pause, répétition/7 pauses, 2 pauses, répétition	Le programme prend fin.	Faire un appel de service.
Le capteur détecte l'eau restée dans la pompe	F7E3	7 pauses, 3 pauses – pause, répétition	Le programme prend fin.	Faire un appel de service.

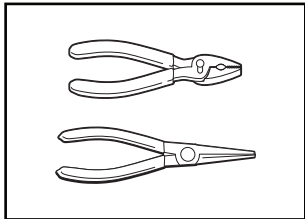
Problème	Code affiché (affichage à 7 segments) (si présent)	Code affiché sur le panneau avant à DEL* (No qui clignote, pause, no qui clignote)	Que se passera-t-il?	Quoi faire?
Le lave-vaisselle se remplit trop	F8E4	8 pauses, 4 pauses – pause, répétition	La séquence de vidange s'amorce, ce qui empêche la machine de fonctionner.	<p>Pour les installateurs professionnels</p> <p>Couper l'eau vers l'appareil (si possible). Débrancher la source de courant électrique de l'appareil. S'il est impossible de fermer l'arrivée en eau, NE PAS fermer l'alimentation électrique et garder la porte fermée. Appuyer sur la touche Cancel (annuler) une fois pour arrêter l'alarme sonore. Faire un appel de service.</p> <p>Pour les personnes qui font l'installation elles-mêmes</p> <ul style="list-style-type: none"> ■ Appuyer deux fois sur le bouton CANCEL (annulation) ou réinitialiser la mise sous tension. Cela peut supprimer le problème. ■ Vérifier si le connecteur de fil est connecté au contacteur du flotteur sur le plateau d'égouttement. Si le fil est déconnecté, le reconnecter, puis appuyer deux fois sur le bouton d'annulation. ■ Vérifier s'il y a de l'eau dans le bac d'égouttement. S'il y a de l'eau dans le bac d'égouttement, enlever l'eau et réinstaller le bac d'égouttement. S'assurer de connecter le câblage au flotteur. Vérifier si de l'eau s'est infiltrée dans le bac d'égouttage (vérifier les raccords d'arrivée d'eau pour voir s'ils ne fuient pas). ■ Si de l'eau était dans le bac et qu'aucune fuite n'a été détectée, mettre le produit en marche sur le programme le plus court de l'installation tout en recherchant les fuites. Le panneau d'accès doit être enlevé pour observer toute fuite. ■ Si le problème persiste, faire un appel de service.
L'électrovanne reste coincée ouverte	F8E5	8 pauses, 5 pauses – pause, répétition	La séquence de vidange s'amorce, ce qui empêche la machine de fonctionner.	Fermer l'arrivée d'eau (si possible). Fermer l'alimentation électrique. S'il est impossible de fermer l'arrivée en eau, NE PAS fermer l'alimentation électrique et garder la porte fermée. Appuyer sur la touche Cancel (annuler) une fois pour arrêter l'alarme sonore. Faire un appel de service.
Le lave-vaisselle ne se vidange pas	F9E1	9 pauses, 1 pause – pause, répétition	Le programme prend fin.	Si le tuyau de vidange est raccordé à un broyeur à déchets, vérifier qu'il n'est pas obstrué et que l'opercule d'obstruction a été enlevé. Si l'appareil ne vidange toujours pas, faire un appel de service.
Anomalie avec le moteur de vidange à vitesse variable – Rotor bloqué ou non amorcé	F9E3	9 pauses, 3 pauses – pause, répétition	Le programme prend fin.	Faire un appel de service.

EXIGENCES D'INSTALLATION

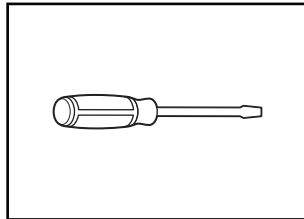
Outils et pièces

Rassembler les outils et composants nécessaires avant d'entreprendre l'installation. Lire et observer les instructions fournies avec chacun des outils de la liste suivante.

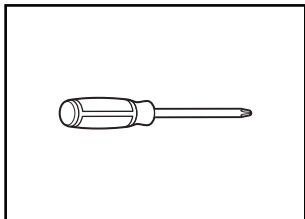
Outils requis :



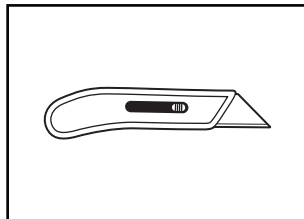
Pince



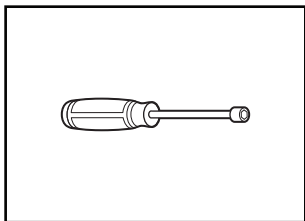
Tournevis à tête plate



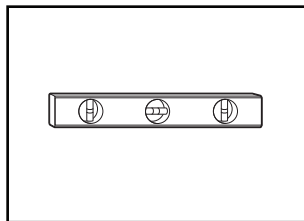
Tournevis à tête cruciforme no 2



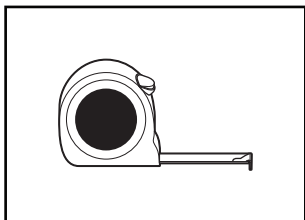
Couteau à lame rétractable



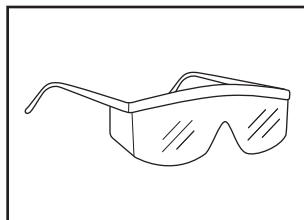
Tourne-écrou ou clé à douille de 5/16 po (8 mm) et 1/4 po (6,35 mm)



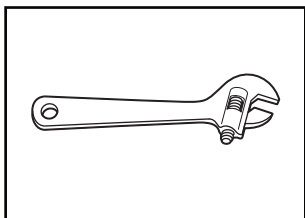
Petit niveau



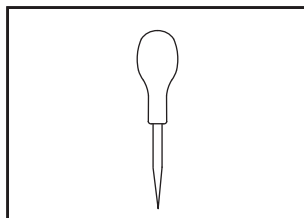
Ruban à mesurer



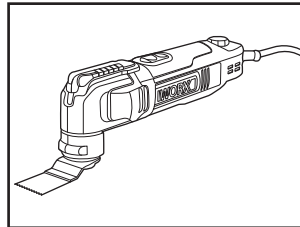
Lunettes de sécurité



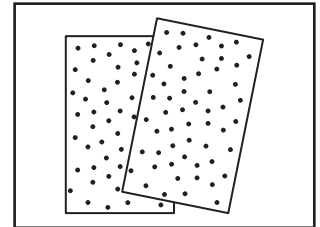
Clé à molette de 10 po (254 mm) avec ouverture jusqu'à 1 1/8 po (29 mm)



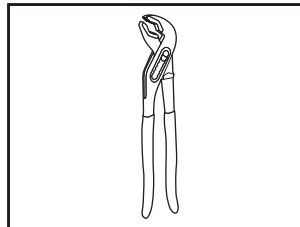
Poinçon



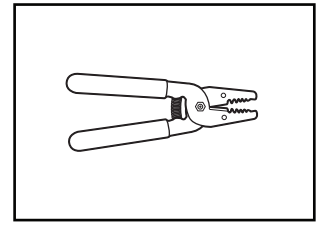
Outil oscillant



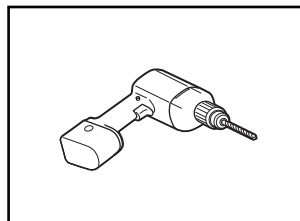
Papier à poncer



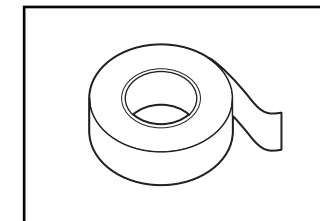
Pince



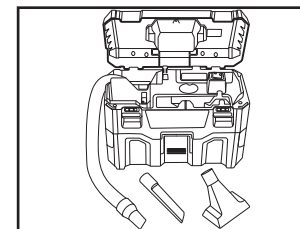
Pince à dénuder



Avec mèche emporte-pièce de 1 1/2 po (38 mm), mèche emporte-pièce de 3/4 po (19 mm) et mèche emporte-pièce de 1/16 po (2,38 mm), mèche emporte-pièce de 1 3/4 po-2 po (45-50 mm)

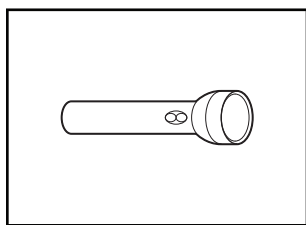


Adhésif double face

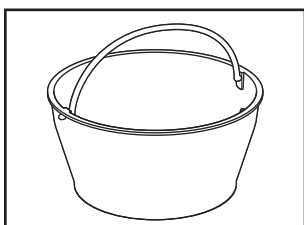


Aspirateur portable

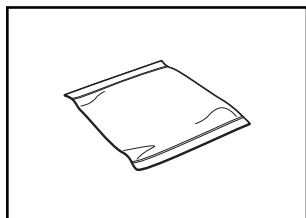
Autres articles utiles pouvant être nécessaires :



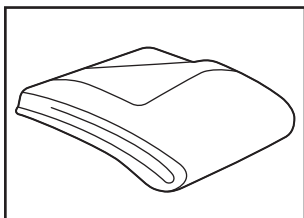
Lampe de poche



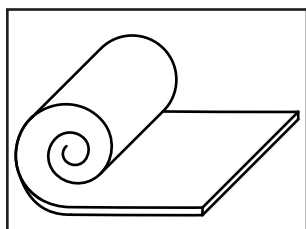
Seau ou plat peu profond



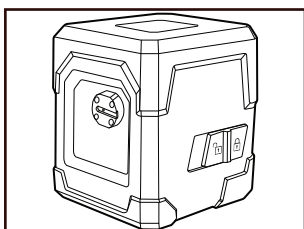
Serviette de bain



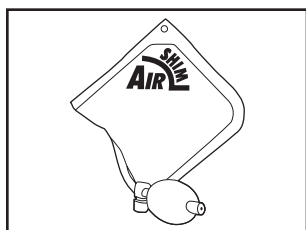
Couverture de déménagement



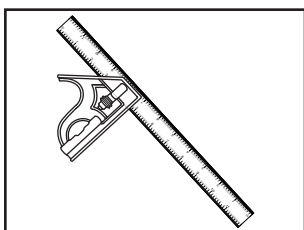
Protecteur de sol



Niveau laser

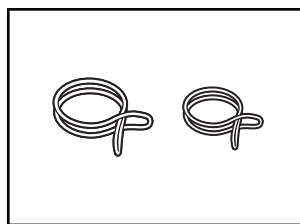


Cale pneumatique (3)

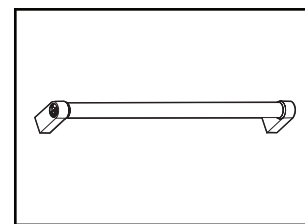


Équerre combinée

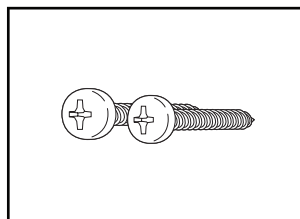
Pièces fournies :



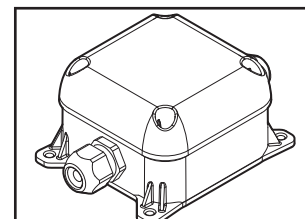
Brides pour tuyau de décharge
(2) rouge et verte



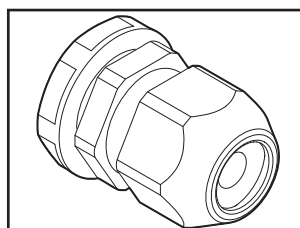
Poignée de porte (sur certains modèles)



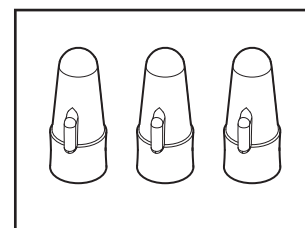
Vis à tête cruciforme de
3,5 mm x 18 mm (2)



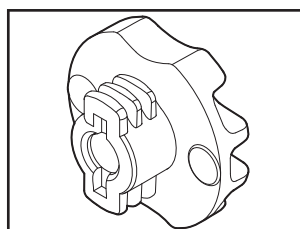
Boîtier de raccordement
électrique



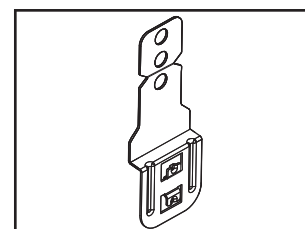
Raccords de câbles (2) à
l'intérieur du boîtier de
raccordement électrique



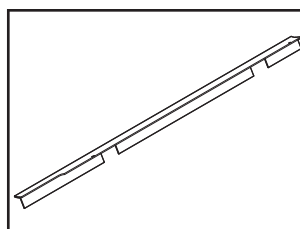
Capuchons (3) à l'intérieur du
boîtier de raccordement
électrique



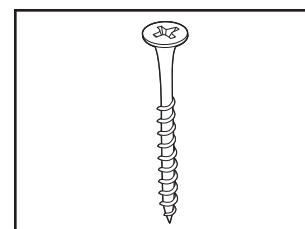
Cales en plastique épais (4)



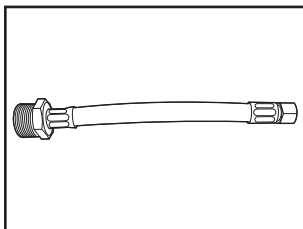
Brides en métal (4)



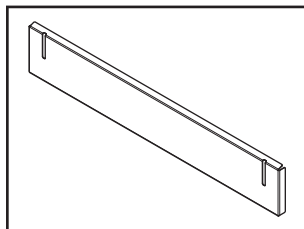
Couvercles pour espaces
latéraux (2)



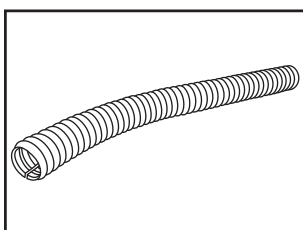
Vis no 4 x 38 mm (4) pour le
panneau prêt pour l'installation



Adaptateur d'entrée d'eau pour tuyau avec système de détection des fuites (sur certains modèles)



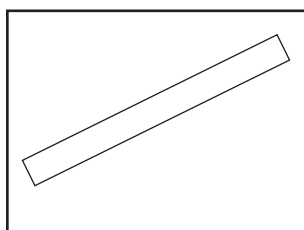
Plinthe supplémentaire/grand livrée non installée à l'arrière du lave-vaisselle.



Œillet pour armoire (tube ondulé)

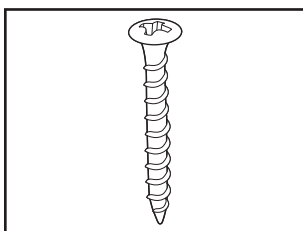
Pour trou de 1 1/2 po (38 mm) dans l'armoire.

REMARQUE : Nécessaire pour les armoires métalliques.

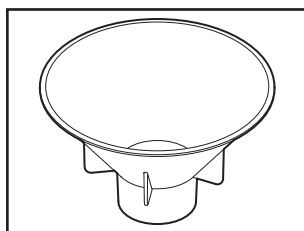


Ruban de barrière anti-humidité

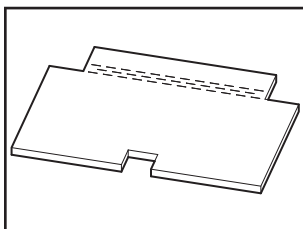
REMARQUE : Du ruban de barrière anti-humidité est recommandé si le lave-vaisselle est installé sous un comptoir de cuisine en bois.



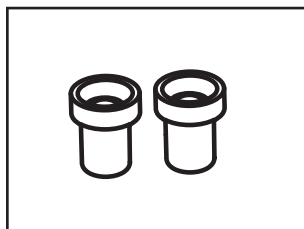
Vis no 3,5 x 18 mm (4) pour la fixation à l'armoire



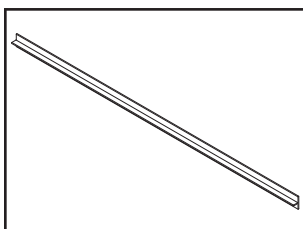
Entonnoir à sel



Isolation pour le sol (sur certains modèles)



Goujons (sur certains modèles)



Joint en T (sur certains modèles)

S'assurer que toutes ces pièces sont comprises avec le sachet de documentation.

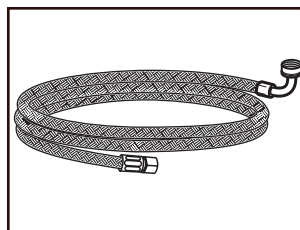
Accessoires facultatifs offerts :

Nous contacter au numéro gratuit ou visiter notre site Web indiqué dans le guide de démarrage rapide pour obtenir des informations sur les accessoires en option.

Première installation

Consulter les codes locaux. Vérifier l'alimentation électrique existante. Voir la section « Spécifications électriques ». Il est recommandé de faire réaliser tous les raccordements électriques par un électricien qualifié agréé.

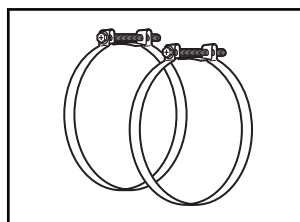
Pièces supplémentaires nécessaires (non fournies) :



Adaptateur de raccord coudé de 3/8 po (9,5 mm) à 3/4 po (19 mm) avec tuyau d'entrée

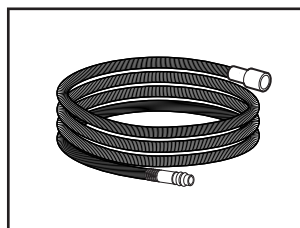
Numéro de pièce Whirlpool, W10278635RP, tuyau d'entrée de 6 pi (1,8 m)

Numéro de pièce Whirlpool, 8212486, tuyau d'entrée de 12 pi (3,6 m)



Bride à vis

1 1/2 po à 2 po (38 mm à 50 mm)
(maximum 3)

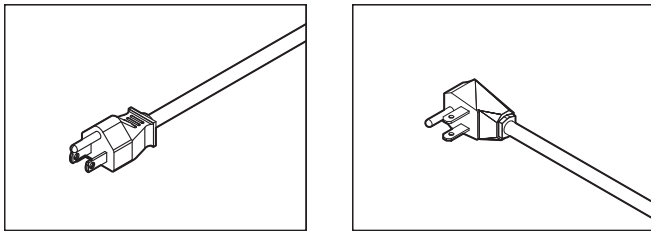


Option – Rallonge de vidange d'eau Longueur maximale de 12 pi (3,7 m) avec un collier de serrage pour le tuyau de vidange.

Numéro de pièce Whirlpool, 8269144A

REMARQUE : S'assurer d'acheter uniquement des pièces et des accessoires Whirlpool certifiés par le fabricant de l'appareil. Il se peut que l'installation nécessite des pièces supplémentaires. Pour commander, consulter les coordonnées indiquées dans le guide de démarrage rapide.

Pour cordon d'alimentation



Ensemble du cordon d'alimentation

L'ensemble comprend généralement un cordon d'alimentation (ensemble de cordon – droit : Numéro de pièce Whirlpool W11670634, angle droit : Numéro de pièce Whirlpool W11645183), raccord de câble.

REMARQUE : L'ensemble de cordon – droit : Le numéro de pièce Whirlpool W11670634 est recommandé pour la plupart des installations.

Pour une bonne installation, se reporter aux instructions d'installation fournies avec l'ensemble.

REMARQUE : S'assurer d'acheter uniquement des pièces et des accessoires Whirlpool certifiés par le fabricant de l'appareil. Il se peut que l'installation nécessite des pièces supplémentaires. Pour commander, consulter les coordonnées indiquées dans le guide de démarrage rapide.

Exigences d'emplacement

L'appareil doit être entièrement encastré (sur le dessus, les côtés, à l'arrière et au sol) dès l'installation.

Une barrière anti-humidité en option est également offerte pour l'installation sous un plan de travail en bois.

Inspecter l'emplacement d'installation du lave-vaisselle.

L'emplacement doit comporter les caractéristiques suivantes :

- Accès facile pour chargement et déchargement de la vaisselle. Dans le cas de l'installation dans un angle, on doit pouvoir établir un dégagement de 2 po (51 mm) ou plus entre le côté de la porte du lave-vaisselle et le mur ou l'armoire.
 - Facilité d'accès aux canalisations d'eau et d'évacuation et à la source d'électricité :
 - Une source d'électricité avec liaison à la terre est nécessaire.
 - Ce lave-vaisselle est doté d'une fonction de chauffage de l'eau et doit être raccordé à la canalisation d'alimentation en eau chaude.
 - Veiller à ce que les canalisations d'eau et d'évacuation et les câbles électriques se trouvent dans les limites de la zone marquée en gris illustrée dans la section « Dimensions de l'ouverture de l'armoire ».
 - Ne pas placer de canalisation d'évacuation, canalisation d'eau ou câblage électrique à un endroit où cela susciterait interférence ou contact avec les pieds du lave-vaisselle.
 - Protéger du gel le lave-vaisselle et les canalisations d'eau qui l'alimentent. La garantie de l'appareil ne couvre pas les dommages imputables au gel.
- REMARQUE :** Si le lave-vaisselle ne doit pas être utilisé pendant une période prolongée ou s'il est laissé à un endroit qui pourrait être exposé au gel, veiller à faire exécuter les opérations de préhivernage par un technicien compétent.
- Une ouverture carrée offrant l'esthétique appropriée et permettant un fonctionnement correct.
 - La façade des armoires perpendiculaire au plancher.
 - Un plancher horizontal et plat.

Conseil utile : S'il y a un écart de niveau sur le plancher entre l'avant et l'arrière de l'emplacement d'installation, il pourrait être nécessaire d'utiliser des cales pour établir l'aplomb de l'appareil. La méthode d'alignement optionnelle s'effectue à l'aide d'une équerre laser; voir les vidéos d'aide du produit.

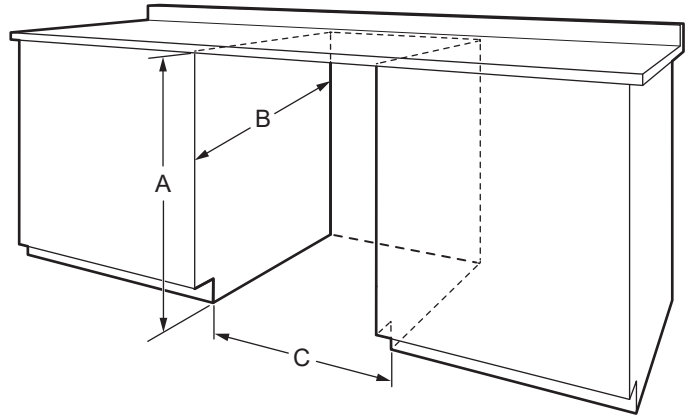
REMARQUE : Pour éviter tout déplacement des cales durant le fonctionnement du lave-vaisselle, les cales doivent être solidement fixées au plancher.

- Ne pas installer le lave-vaisselle sur un tapis.

Dimensions de l'ouverture de l'armoire

Distances de dégagement

Vérifier que toutes les surfaces n'ont aucune aspérité qui empêcherait l'installation du lave-vaisselle.



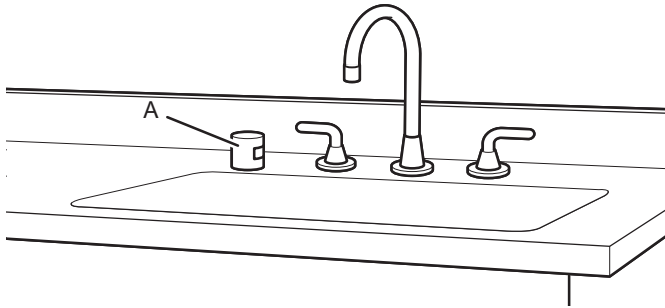
- A. 32 ⁵/₁₆ po à 35 ⁵/₁₆ po (820 à 900 mm) depuis le point le plus bas de la face inférieure du plan de travail.
- B. Minimum de 22 ¹/₁₆ po (560 mm)
- C. 23 ⁵/₈ po (600 mm) minimum mesuré au point le plus étroit de l'ouverture.

Exigences d'évacuation

- Un tuyau d'évacuation neuf est fourni avec le lave-vaisselle. Si le tuyau de vidange n'est pas assez long, utiliser une rallonge de tuyau de vidange d'une longueur maximale de 12 pi (3,7 m).
- Veiller à raccorder le tuyau d'évacuation à la canalisation d'égout en T ou au raccord de broyeur à déchets en amont du siphon du circuit de plomberie du domicile, et à au moins 20 po (508 mm) au-dessus du sol. On recommande de lover le tuyau d'évacuation et de le fixer solidement sur la face inférieure du comptoir ou de le raccorder à un dispositif de brise-siphon.

IMPORTANT : Ce produit n'est pas équipé d'une boucle surélevée sur le côté du lave-vaisselle. L'installateur est responsable de l'ajout d'une boucle surélevée dans l'armoire adjacente. Une boucle surélevée est nécessaire si le lave-vaisselle s'écoule dans un drain de plancher. Cela permet d'éviter que l'eau ne s'écoule du lave-vaisselle pendant son fonctionnement. Lorsque le drain est raccordé à un drain d'évier, à un dispositif brise-siphon de comptoir ou à un broyeur, la boucle surélevée n'est généralement pas nécessaire. Un clapet antiretour interne au drain empêche le reflux dans le lave-vaisselle.

- Utiliser un dispositif de brise-siphon si le tuyau d'évacuation est raccordé au circuit de plomberie du domicile à moins de 20 po (508 mm) au-dessus du sous-plancher ou du plancher.



A. Brise-siphon

- Si nécessaire, le dispositif de brise-siphon doit être installé conformément aux instructions d'installation de ce dernier. Lors du raccordement du dispositif de brise-siphon à la canalisation d'égout en T ou au raccord de broyeur à déchets, un tuyau en caoutchouc (non fourni) sera nécessaire.
- Utiliser des raccords de canalisation d'évacuation de diamètre intérieur de 1/2 po (12,7 mm) minimum.

Spécifications de l'alimentation en eau

- Ce lave-vaisselle peut être équipé d'un tuyau d'arrivée intelligent avec une vanne de coupure d'eau. Ne pas couper le tuyau d'arrivée d'eau pour quelque raison que ce soit, pour l'installer, l'adapter ou le raccourcir.
- Ce lave-vaisselle est doté d'une fonction de chauffage de l'eau et doit être raccordé à la canalisation d'alimentation en eau chaude.
- Une canalisation d'eau chaude, sous pression de 20 à 120 lb/po² (138 à 827 kPa), peut être inspectée par un plombier certifié.
- Température de 120 °F (49 °C) à l'entrée du lave-vaisselle.
- Tube de 3/8 po (9,5 mm) de diamètre externe avec raccord de compression ou canalisation d'alimentation en eau flexible avec ou sans tresse d'acier.
- Tuyau d'arrivée d'eau inclus avec le système de détection des fuites pour certains modèles.
- Adaptateur de compression de 3/8 po (9,5 mm) x 3/4 po (19 mm) inclus pour l'arrivée d'eau (uniquement pour les modèles avec système de détection des fuites).
- S'il est installé dans une nouvelle construction, vous assurer que l'entrée d'eau de la maison a été nettoyée avant d'effectuer le branchement au lave-vaisselle pour en enlever les débris possibles.

Spécifications électriques

S'assurer que le raccordement électrique est adéquat et conforme au code national de l'électricité, ANSI/NFPA 70 – dernière édition, et à tous les codes et règlements locaux en vigueur.

Pour obtenir un exemplaire gratuit des normes des codes ci-dessus, contacter :

National Fire Protection Association
1 Batterymarch Park
Quincy, MA 02169-7471

Il vous faut :

- Alimentation de 120 V CA à 60 Hz, protégée par un fusible de 15 A ou 20 A.
- Conducteurs de cuivre uniquement.
- Un maximum de deux conducteurs d'alimentation (calibre 12 AWG maximum) plus un conducteur de mise à la terre est autorisé dans le boîtier de connexion.
- Un boîtier de raccordement électrique est inclus pour le raccordement électrique.

Nous recommandons :

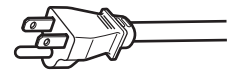
- Installer le lave-vaisselle sur un circuit doté d'un interrupteur approprié, conformément au code local. Le lave-vaisselle est compatible avec les fusibles temporisés, les disjoncteurs standard et les disjoncteurs différentiels (GFCI) et disjoncteurs d'arc électrique (AFCI).

Spécifications du circuit :

- Le lave-vaisselle peut être installé sur le même circuit que le broyeur à déchets en s'assurant que ce circuit ne dépasse pas la charge nominale et qu'il respecte les normes et codes dont, mais ne se limitant pas, au code national de l'électricité, ANSI/NFPA 70 – dernière édition.
- Aucun autre raccordement électrique que ceux des conducteurs d'alimentation et de mise à la terre du lave-vaisselle ne peuvent être effectués à l'intérieur du boîtier de raccordement électrique du lave-vaisselle.

Pour le raccordement du lave-vaisselle avec un cordon d'alimentation électrique :

- Utiliser un cordon d'alimentation (homologation a UL) conçu pour utilisation avec un lave-vaisselle. Voir la section « Outils et pièces » pour les détails sur les pièces.



- Brancher l'appareil sur une prise à 3 alvéoles reliée à la terre. La prise doit être conforme à tous les codes et règlements locaux.



Pour le raccordement direct du lave-vaisselle :

- Utiliser des conducteurs de cuivre gainés non métalliques ou blindés souples avec conducteur de liaison à la terre qui satisfassent aux exigences de l'installation électrique du domicile, et qui soient conformes aux prescriptions des codes et règlements locaux.



- Utiliser seulement les raccords de câble en plastique fournis pour les câbles flexibles et les câbles à gaine non métallique (Romex, etc.). Ne pas utiliser de serre-câbles métalliques pour ces constructions de fils.
- Utiliser un serre-câbles métallique homologuée UL/CSA pour les installations de câbles armés (21 mm de diamètre).

INSTRUCTIONS D'INSTALLATION

⚠ AVERTISSEMENT



Risque de basculement

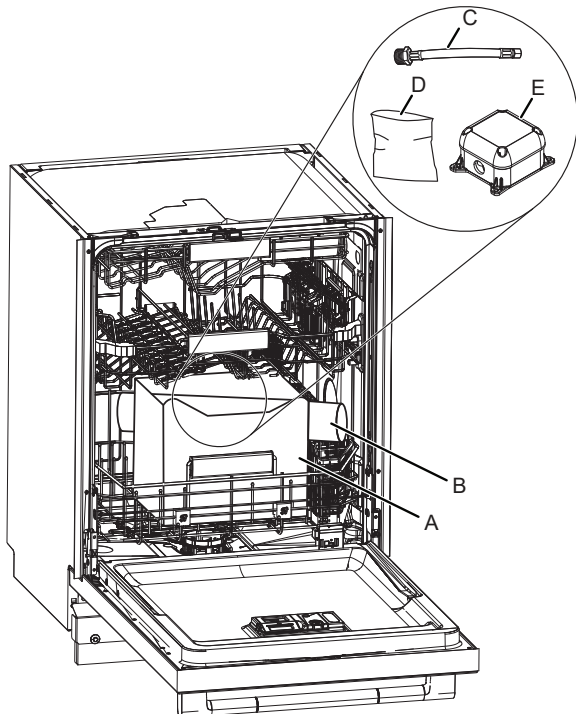
Ne pas utiliser le lave-vaisselle jusqu'à ce qu'il soit complètement installé.

Ne pas appuyer sur la porte ouverte.

Le non-respect de ces instructions peut causer des blessures graves ou des coupures.

Il faut :

- Ouvrir lentement la porte du lave-vaisselle tandis qu'une autre personne saisit l'arrière de l'appareil. Élimination du matériel d'expédition. Mettre les pièces et la documentation incluses de côté dans un endroit sûr pour plus tard. Fermer la porte du lave-vaisselle; elle doit s'enclencher.



- A. Boîte en carton contenant les accessoires
- B. Tube en carton contenant la poignée (sur certains modèles)
- C. Adaptateur d'entrée d'eau de 3/8 po à 3/4 po (9,5 mm à 19 mm)
- D. Accessoires d'assemblage
- E. Boîtier de raccordement électrique

IMPORTANT : Ne pas jeter la boîte en carton. Elle contient des matériaux d'installation à l'intérieur.

REMARQUE : Chaque lave-vaisselle a été testé en usine – en raison de ces tests, il est possible qu'il reste un peu d'eau dans la cuve du lave-vaisselle.

- Observer les dispositions de tous les codes et règlements en vigueur.

- Installer le lave-vaisselle conformément aux prescriptions des présentes instructions.
- Le lave-vaisselle doit être installé conformément aux dispositions de tous les codes et règlements locaux et nationaux régissant les installations de plomberie et d'électricité.
- Lors de l'installation ou du déplacement de l'appareil, veiller à ce que le cordon d'alimentation ne soit pas plié ou endommagé.

AVERTISSEMENT : Afin de réduire le risque d'incendie, de décharge électrique ou de blessures corporelles, l'installateur doit s'assurer que le lave-vaisselle est complètement encastré au moment de l'installation.

Avant de commencer

⚠ AVERTISSEMENT



Risque de décharge électrique

Interrompre l'alimentation électrique au niveau du tableau de distribution (fusible ou disjoncteur) avant d'installer l'appareil.

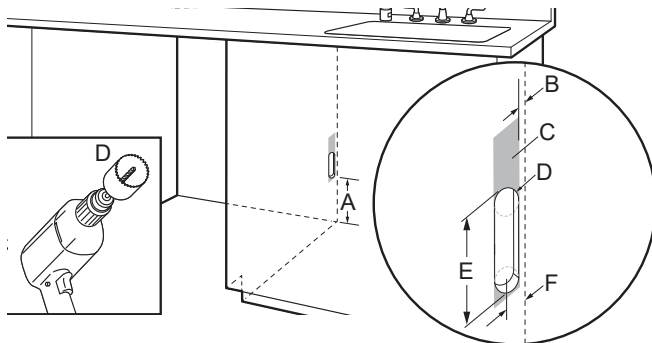
Le non-respect de ces instructions peut causer un décès ou une décharge électrique.

- 1. Déconnecter la source de courant électrique**
Interrompre l'alimentation électrique au niveau du tableau de distribution (fusible ou disjoncteur) avant d'installer le lave-vaisselle.
- 2. Couper l'arrivée d'eau**
Fermer l'approvisionnement en eau du lave-vaisselle.

Préparation de l'emplacement – nouveaux appareils

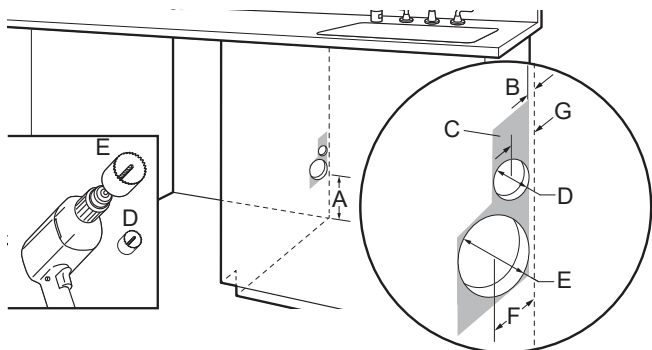
REMARQUE : Les orifices d'alimentation en eau et électricité peuvent ou non se trouver sur la même paroi de l'armoire. Cela dépend de l'emplacement des raccordements à l'eau et à l'électricité.

3. Emplacement pour percer les orifices des tuyaux d'alimentation en eau et de vidange (type d'orifice préféré)



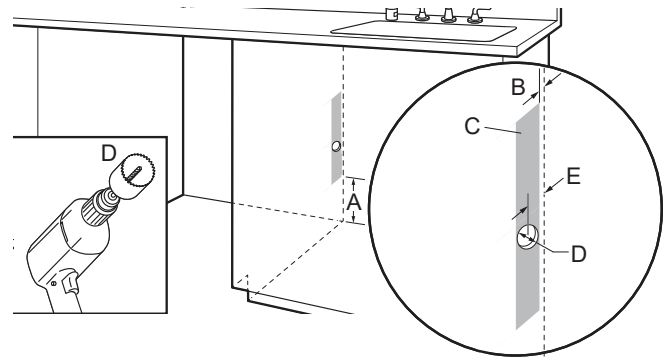
- A. 6 po (152 mm), hauteur minimale de la zone autorisée à partir du bas pour les raccordements.
- B. 1/2 po (12,7 mm), épaisseur de la paroi arrière de l'armoire.
- C. 2 1/4 po de largeur x 6 1/16 po de hauteur (57,20 x 154,40 mm), surface autorisée pour les raccordements.
- D. 1 3/4 po (44,4 mm), diamètre de l'orifice ovale pour l'alimentation en eau et le tuyau de vidange.
- E. 3 3/4 po (95,3 mm), hauteur de l'orifice ovale pour l'alimentation en eau et le tuyau de vidange.
- F. 2 1/4 po (57,1 mm), distance entre le centre de l'orifice ovale et l'arrière de la paroi de l'armoire.

4. Emplacements pour percer les orifices des tuyaux d'alimentation en eau et de vidange (type d'orifice optionnel)



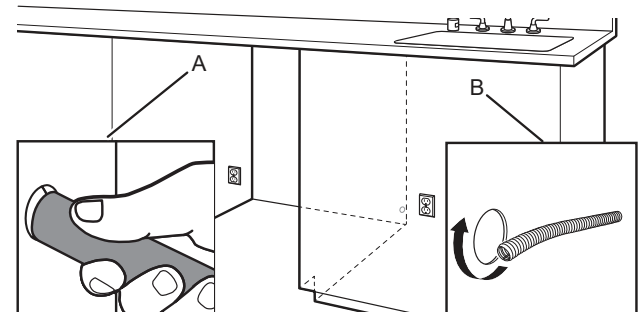
- A. 6 po (152 mm), hauteur minimale de la zone autorisée à partir du bas pour les raccordements.
- B. 1/2 po (12,7 mm), épaisseur de la paroi arrière de l'armoire.
- C. 3 1/2 po de largeur x 6 po de hauteur (88,9 x 152,4 mm), surface autorisée pour les raccordements.
- D. 1 1/2 po (38,1 mm), diamètre de l'orifice du tuyau de vidange.
- E. 3 1/2 po (88,9 mm), diamètre pour l'orifice de l'alimentation en eau.
- F. 2 1/4 po (57,1 mm), distance entre le centre de l'orifice du tuyau d'alimentation en eau et l'arrière de la paroi de l'armoire.
- G. 1 1/4 po (31,7 mm), distance entre le centre de l'orifice du tuyau de vidange et l'arrière de la paroi de l'armoire.

5. Emplacement pour percer l'orifice de la conduite électrique



- A. 6 po (152 mm), hauteur minimale de la zone autorisée à partir du bas pour les raccordements.
- B. 1/2 po (12,7 mm), épaisseur de la paroi arrière de l'armoire.
- C. 1 1/2 po de largeur x 12 po de hauteur (38,1 x 304,8 mm), surface autorisée pour les raccordements.
- D. 1 1/2 po (38,1 mm), diamètre de l'orifice du tuyau Circuit électrique.
- E. 1 1/4 po (31,7 mm), distance entre le centre de l'orifice de la conduite électrique et l'arrière de la paroi de l'armoire.

6. Poncer pour obtenir des tours lisses



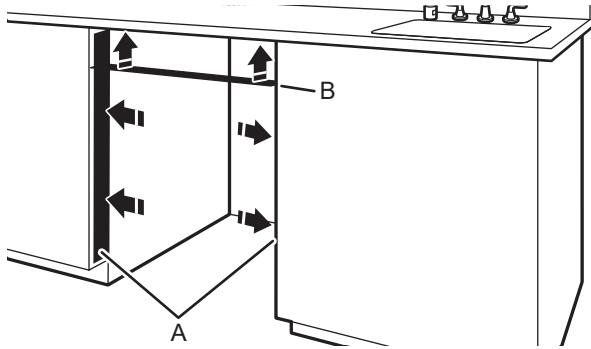
- A. Armoire de bois
- B. Armoire métallique

Armoire de bois : Poncer l'orifice jusqu'à obtenir une surface lisse.

Armoire métallique : Couvrir les bords de l'orifice avec le passe-fil (tube ondulé) fourni avec le matériel d'installation à l'intérieur du lave-vaisselle. Couper la longueur pour qu'elle corresponde au périmètre de l'orifice.

Installation de la barrière anti-humidité (recommandée pour les comptoirs en bois)

Barrière anti-humidité/cales en bois

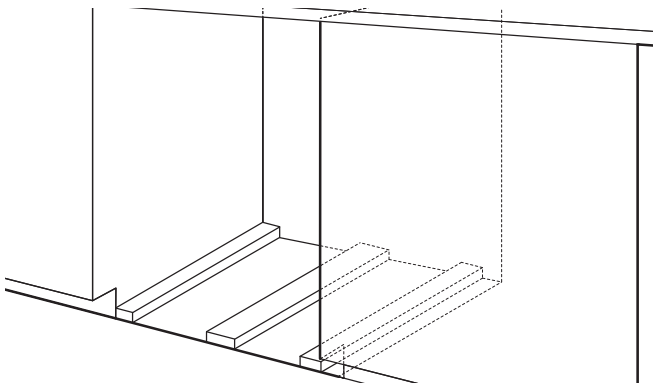


A. Installation des cales en bois
B. Barrière anti-humidité

Veiller à ce que la zone se trouvant sous le plan de travail soit propre et sèche avant d'installer la barrière anti-humidité. Ôter la protection de la barrière anti-humidité et appliquer la barrière sur le dessous du comptoir le long de la rive avant du comptoir. Découper la barrière anti-humidité selon les besoins.

REMARQUE : Utiliser des cales en bois si la fixation de côté et l'espacement entre les côtés du lave-vaisselle sont supérieurs à 1/2 po (12,7 mm) de chaque côté ou supérieurs à la longueur des vis d'ancrage.

7. Surélever le plancher – ajouter des cales au besoin

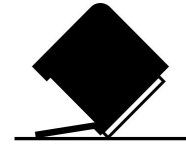


Surélever le plancher : Si le plancher de la cuisine est plus élevé que le plancher de l'ouverture de l'armoire (par exemple, le carrelage du plancher de la cuisine n'arrive pas jusque dans l'ouverture de l'armoire), ajouter des cales selon le besoin dans la zone indiquée pour placer le lave-vaisselle à une hauteur maximale de 34 po (864 mm) sous le plan de travail.

REMARQUE : Pour éviter tout déplacement des cales durant le fonctionnement du lave-vaisselle, les cales doivent être solidement fixées au plancher.

Préparation du lave-vaisselle

⚠ AVERTISSEMENT



Risque de basculement

Ne pas utiliser le lave-vaisselle avant qu'il ne soit complètement installé.

Ne pas appuyer sur la porte ouverte.

Le non-respect de cette instruction peut causer des blessures ou des coupures graves.

⚠ AVERTISSEMENT

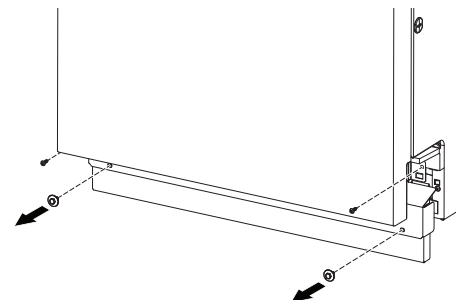
Risque de poids excessif

Il faut au moins deux personnes pour déplacer et installer ou désinstaller l'appareil.

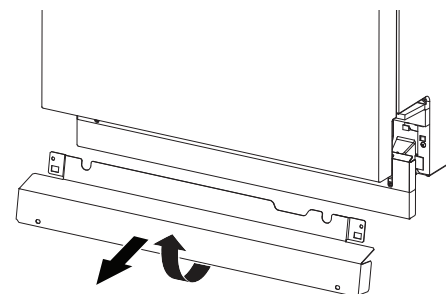
Le non-respect de cette instruction peut causer une blessure au dos ou d'autres blessures.

Retrait du panneau d'accès et de la plinthe

8. Panneau d'accès

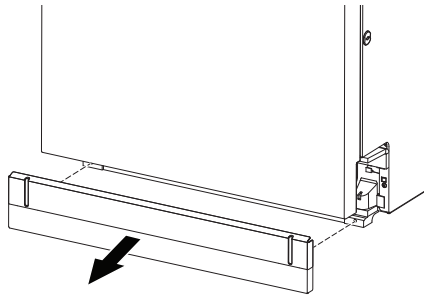


À l'aide d'un tourne-écrou de 1/4 po (6,35 mm) ou un tournevis à tête cruciforme, ôter les 4 vis fixant le panneau d'accès au lave-vaisselle.



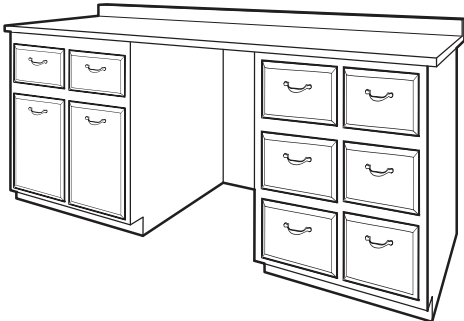
Soulever lentement le panneau d'accès et le retirer des crochets du lave-vaisselle.

9. Plinthe



Après avoir retiré le panneau d'accès, retirer la plinthe.

10. Mesure de l'ouverture de l'armoire



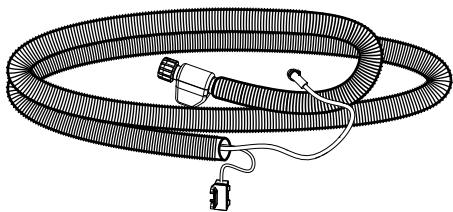
L'avant du support de base possède un dispositif de nivellement. Une fois que le lave-vaisselle se trouve dans l'espace de l'armoire, utiliser le dispositif de nivellement pour ajuster le lave-vaisselle à la hauteur de l'armoire.

Ajuster les pieds de réglage de l'aplomb avant et arrière à la même hauteur.

Branchement de l'arrivée d'eau à la valve de distribution

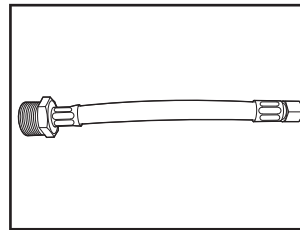
Le lave-vaisselle peut être livré avec le tuyau d'arrivée déjà fixé avec un raccord fileté. Il doit être raccordé à l'extrémité de l'entrée sur l'alimentation domestique.

11. Tuyau du système de détection des fuites (sur certains modèles)



Utiliser le tuyau du système de détection des fuites avec l'adaptateur d'entrée d'eau de 3/8 po (9,5 mm) à 3/4 po (19 mm) inclus.

12. Ajouter un adaptateur d'entrée d'eau de 3/8 po (9,5 mm) à 3/4 po (19 mm) au tuyau du système de détection des fuites (sur certains modèles).



Brancher le raccord à compression de 3/8 po (9,5 mm) de l'adaptateur d'entrée d'eau à la conduite d'alimentation en eau et fixer le raccord de 3/4 po (19 mm) au tuyau du système de détection des fuites.

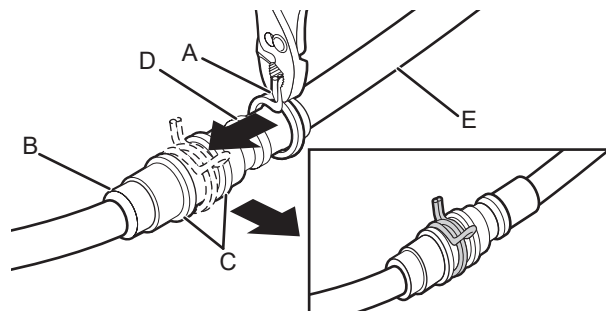
13. Tuyau d'arrivée d'accessoire



Voir la section « Outils et pièces » sur la couverture du guide pour des détails sur les pièces et pour commander. Brancher le raccord à compression de 3/8 po (9,5 mm) à la conduite d'alimentation en eau et fixer le raccord coudé de 3/4 po (19 mm) au lave-vaisselle en l'orientant vers le haut, comme indiqué ci-dessus. S'assurer que la conduite flexible tressée ou non tressée est suffisamment longue pour atteindre le branchement d'eau de la maison. Si le tuyau n'est pas assez long, demander à un plombier d'installer un robinet d'alimentation plus près du lave-vaisselle.

Si une rallonge de tuyau de vidange est nécessaire

14. Glisser la bride dans le connecteur



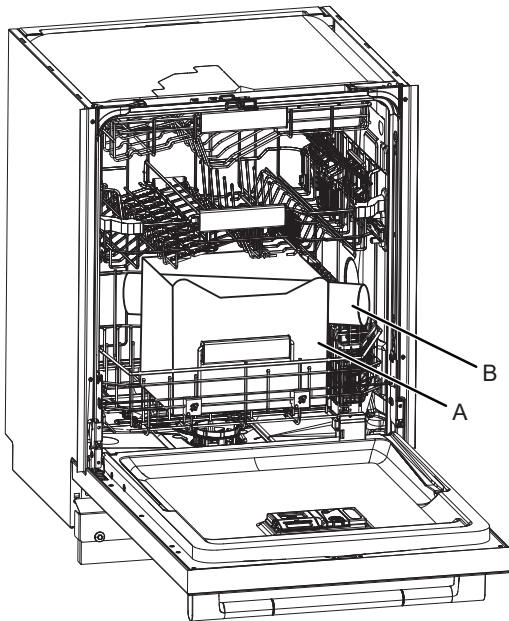
- A. Bride verte
- B. Raccord de tuyau de vidange en caoutchouc
- C. Arrêt

- D. Arrêt du raccord du tuyau de vidange
- E. Tuyau d'évacuation

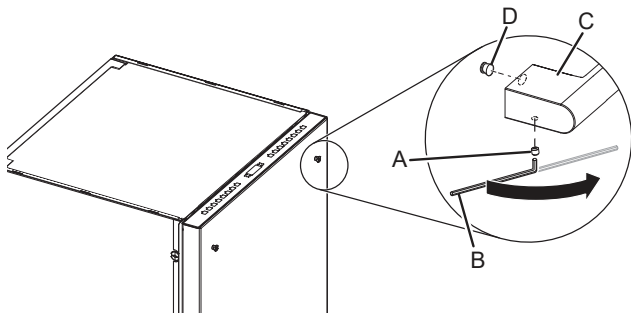
À l'aide d'une pince, ouvrir la bride verte de tuyau d'évacuation en la serrant et la glisser sur le connecteur, entre les butées.

Installation de la poignée de porte (sur certains modèles)

15. Installation de la poignée de porte



- A. Boîte en carton contenant les accessoires
- B. Tube en carton contenant la poignée de porte (sur certains modèles)



- A. Vis de blocage (au fond de la poignée)
- B. Clé à tête hexagonale
- C. Poignée
- D. Goujon de montage

IMPORTANT : Ne pas érafler le panneau avant au cours de ce processus. Si le panneau de porte est muni d'une pellicule de protection, l'enlever jusqu'au point de fixation de la poignée avant d'installer cette dernière. La poignée est plus facile à installer lorsque l'appareil est sur le dos.

Retirer les poignées de porte et la clé à tête hexagonale de leur emballage. Des vis de blocage sont préinstallées sur la poignée. Placer la poignée sur les poteaux de colombage avec les vis de blocage orientées vers le bas du lave-vaisselle. Pousser la poignée de porte fermement en appui contre la porte. Insérer le côté court de la clé à tête hexagonale dans les vis de blocage. Serrer les vis de 1/4 de tour au-delà de la butée.

Conserver la clé hexagonale avec le manuel du propriétaire.

Placer le lave-vaisselle dans l'armoire

Consulter à la section « Raccordement électrique » de ce manuel d'utilisation pour effectuer le raccordement à l'alimentation électrique avant de placer le lave-vaisselle dans l'armoire.

⚠ AVERTISSEMENT

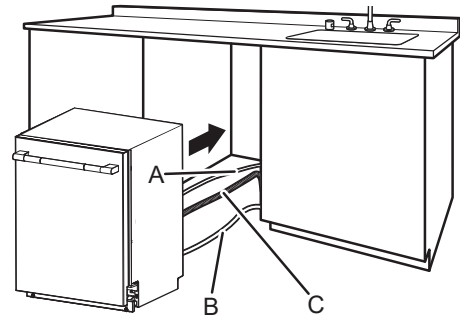
Risque de poids excessif

Il faut au moins deux personnes pour déplacer et installer ou désinstaller l'appareil.

Le non-respect de cette instruction peut causer une blessure au dos ou d'autres blessures.

REMARQUE : Passer l'arrivée d'eau, le tuyau de vidange et le cordon d'alimentation par l'arrière du lave-vaisselle.

16. Déplacer le lave-vaisselle près de l'ouverture d'encastrement

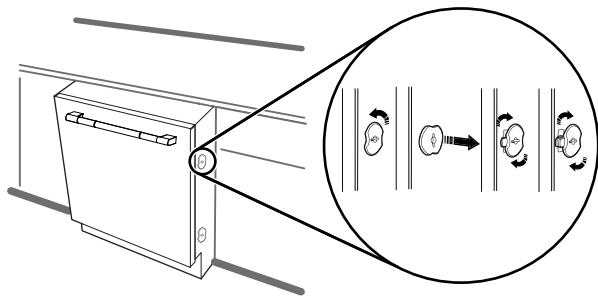


- A. Canalisation d'eau
- B. Câble du boîtier de raccordement électrique
- C. Tuyau d'évacuation

Passer les raccordements par les trous de l'armoire et tirer l'excédent en même temps que le lave-vaisselle est positionné dans son espace.

REMARQUE : Acheminer les lignes électriques uniquement par le trou du conduit électrique qui a été préalablement poncé ou protégé par un passe-fil.

17. Ajuster les cales latérales



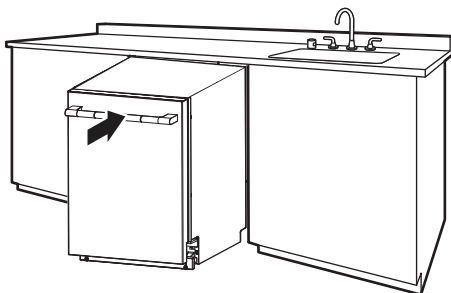
Mesurer la largeur de l'ouverture en haut et en bas du cadre moins l'armoire. Retirer et ajuster les 4 cales pour lave-vaisselle incluses, en les tournant de 90 degrés et en les retirant à l'aide d'un tournevis à fente. Chaque cale a 3 positions.

REMARQUE : Si les armoires ne sont pas sans au cadre, des cales supplémentaires seront nécessaires (incluses) et devront être posées par l'installateur.

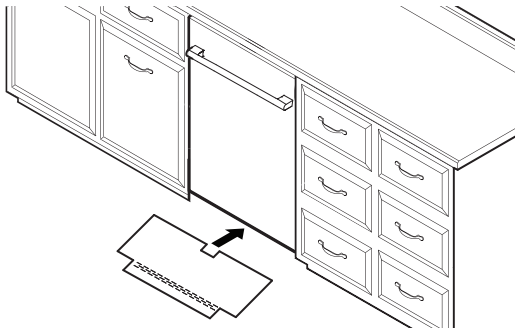
Type d'armoires	Type de fixation
Armoires sans cadre	Cales en plastique
Armoires avec cadre avant	Brides métalliques

Voir la section « Fixation du lave-vaisselle dans l'ouverture d'encastrement de l'armoire » dans ce manuel du propriétaire pour fixer le lave-vaisselle dans différents types d'armoires.

18. Placer le lave-vaisselle à son emplacement final



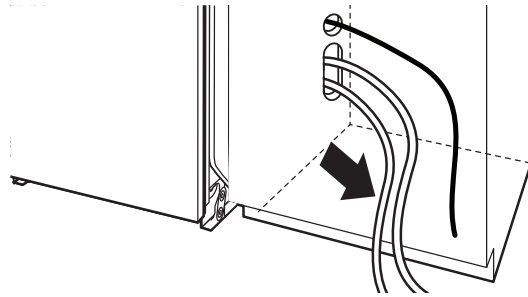
19. Placer une mousse isolante sous le lave-vaisselle (sur certains modèles)



Après avoir poussé le lave-vaisselle dans l'ouverture du meuble, ajuster les pieds de nivellement à la hauteur standard de 33 7/8 po (860 mm) et plus. Prendre ensuite l'isolant de plancher et le faire glisser par l'avant (espace entre le plancher et le bac de récupération).

L'isolant de plancher est conçu pour s'adapter aux pieds de nivellement.

20. Tirer l'excédent des raccordements

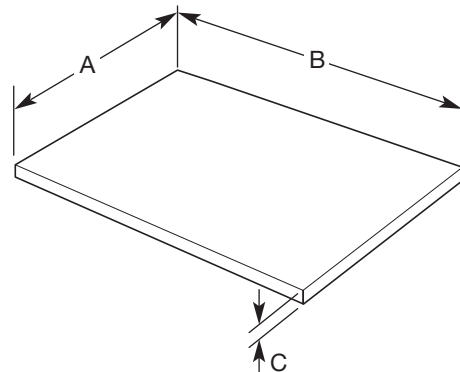


REMARQUE : Tirer l'excédent en même temps que le lave-vaisselle est poussé en place dans son ouverture pour éviter la formation de coudes.

Installation du panneau personnalisé (sur certains modèles)

Dimensions du panneau personnalisé

S'assurer que le panneau sur mesure possède les dimensions recommandées. Voir l'image ci-dessous pour les dimensions recommandées.



A. 23 9/16 po (598 mm)

B. 28 3/8 po à 30 po (720 à 762 mm)

C. 5/8 po à 1 po (16 mm à 25 mm)

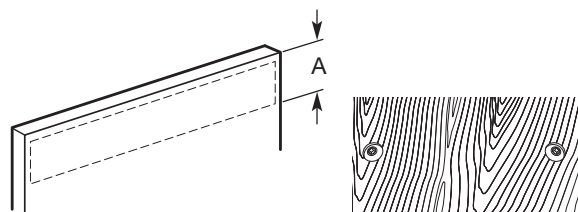
Le panneau de porte fourni par le client ne doit pas peser plus de 7,3 kg (16 lb) avec la poignée (ensemble). Ils doivent être fabriqués selon les dimensions spécifiques indiquées ci-dessus. Il est recommandé de faire appel à un ébéniste pour découper le panneau sur mesure en raison des dimensions précises requises.

REMARQUE : La poignée destinée au panneau personnalisé n'est pas comprise.

Étapes d'installation du panneau personnalisé

1. Dans un endroit plat et sans débris, placer une couverture comme surface de travail.
2. Fixer la poignée du panneau personnalisé comme pour n'importe quelle autre poignée de meuble. S'assurer de protéger la surface finie avec du ruban adhésif de peintre lors de la préparation et de l'encastrement du panneau arrière pour dissimuler le matériel de fixation.

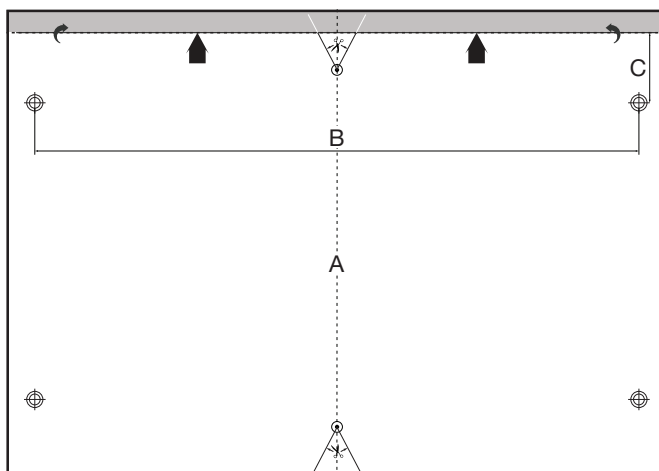
3. Installer la ou les poignées de quincaillerie personnalisées à l'avant du panneau personnalisé à l'intérieur de la ligne pointillée comme illustré ci-dessous.



A. 6 po (152,4 mm)

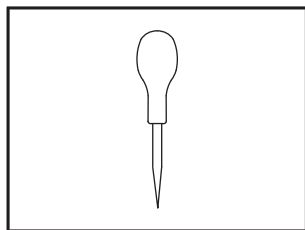
IMPORTANT : Si la poignée est fixée à l'arrière du panneau personnalisé, les trous de vis doivent être fraisés de façon à ce que les têtes de vis soient en affleurement avec le panneau. Si la poignée est fixée à l'avant du panneau personnalisé, la longueur des vis ne doit pas excéder l'épaisseur du panneau.

4. Placer le panneau personnalisé, face vers le bas, sur la couverture, et noter le haut et le bas prévus du panneau, le cas échéant.

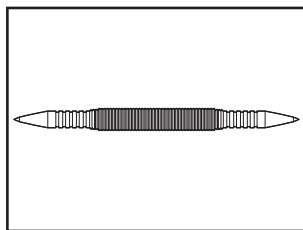


A. 23 5/8 po (600 mm)
 B. 22 1/16 po (560 mm)
 C. 2 9/16 po (65 mm)

5. À l'aide d'un ruban à mesurer, mesurer la largeur supérieure, centrale et inférieure du panneau et marquer l'emplacement du centre soit avec le bord d'un morceau de ruban, soit avec un crayon à pointe fine.
 6. À l'aide de la règle, tracer une ligne reliant toutes les lignes centrales marquées de manière à identifier le centre du panneau.
 7. À l'aide du gabarit fourni, aligner l'axe du gabarit sur l'axe de la porte.

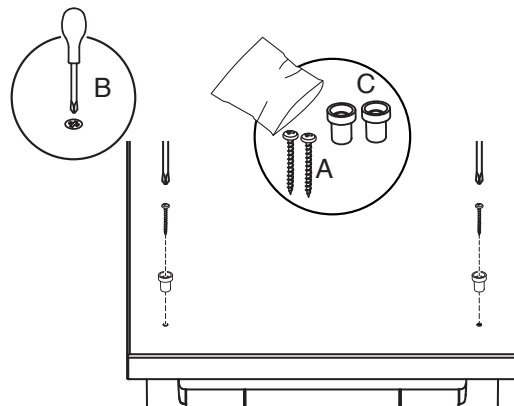


Poinçon



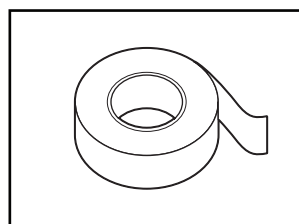
Pointeau

8. À l'aide d'un pointeau ou d'un poinçon, marquer sur le gabarit les deux emplacements qui serviront à fixer les montants de la porte. Retirer le gabarit. Fixer les deux montants de la porte au panneau personnalisé à l'aide des vis fournies.



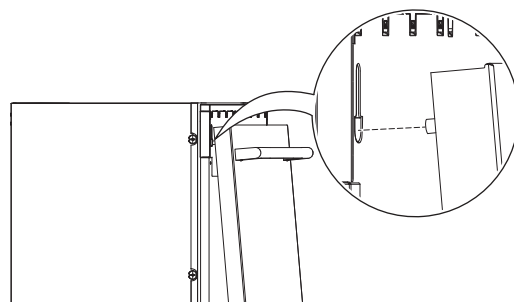
A. Vis à tête cruciforme de 3,5 mm x 18 mm (2)
 B. Tournevis à tête cruciforme no 2
 C. Goujons

9. Fixer de l'adhésif double face sur le panneau de porte dans la moitié inférieure, pour faciliter temporairement l'alignement de la porte. Ces morceaux d'adhésif peuvent être enlevés ultérieurement après avoir aligné parfaitement tous les trous.

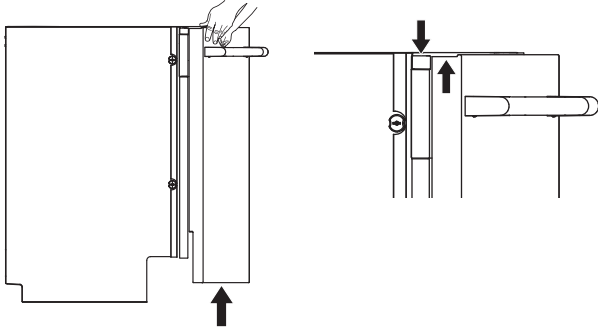


Adhésif double face

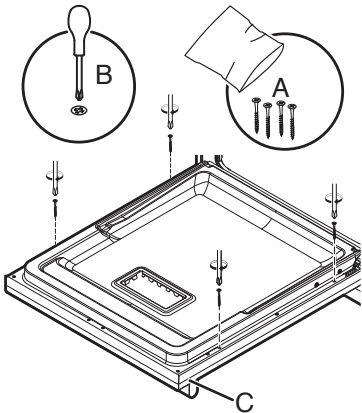
10. Insérer l'un des blocs de bois de l'emballage en travers de l'ouverture de la porte pour l'ouvrir légèrement.
 11. Aligner les deux montants de la porte sur les rails de référence de la porte, en soulevant la porte jusqu'à ce que le panneau supérieur soit aligné avec le haut de la porte du lave-vaisselle.



12. Tout en maintenant l'alignement, appuyer sur la partie inférieure de la porte pour permettre au ruban adhésif double face de bien coller et de maintenir l'alignement.



13. Si ce processus doit être ajusté, utiliser un couteau à mastic en plastique entre le panneau et la porte pour décoller le ruban adhésif double face et libérer le panneau.
 14. Ouvrir la porte et le panneau ensemble jusqu'à la position d'ouverture complète, en s'assurant que le panneau n'a pas bougé.
 15. Tenir compte du choix du matériau du panneau personnalisé et fixer la première des quatre vis du panneau de porte fournies à l'aide d'un tournevis cruciforme. Vérifier que le panneau de porte est toujours aligné. Répéter l'installation de la vis pour le deuxième trou.



- A. Vis à tête cruciforme de 4 x 38 mm (4)
 B. Tournevis à tête cruciforme no 2
 C. Panneau personnalisé

16. Vérifier que le panneau de porte est toujours aligné.
 17. Répéter l'installation de la vis pour les deux dernières vis.
 18. Si désiré, retirer les vis et le panneau pour enlever le ruban adhésif double face temporaire.
 19. Si les écarts entre la porte et l'armoire ne sont pas égaux, ajuster le lave-vaisselle en desserrant les quatre vis fixées aux armoires adjacentes. Procéder à l'ajustement de la position.
 20. Resserrer les 4 vis montées sur les armoires adjacentes. Toutes les vis doivent être bien serrées pour éviter que le lave-vaisselle ne bouge.

Raccordement électrique

Si le câblage domestique n'atteint pas l'emplacement du boîtier de raccordement électrique du lave-vaisselle dans l'armoire adjacente, le câblage domestique devra d'abord être corrigé par un électricien qualifié conformément au Code national de l'électricité, ANSI/NFPA 70 – dernière édition, et à tous les codes et ordonnances locaux.

⚠ AVERTISSEMENT



Risque d'incendie

Utiliser seulement le boîtier de connexion fourni avec le produit pour effectuer le raccordement électrique.

Ne pas contourner le boîtier de raccordement électrique.

Le non-respect de ces instructions peut causer un décès, un incendie ou une décharge électrique.

⚠ AVERTISSEMENT



Risque de décharge électrique

Relier cet appareil à la terre.

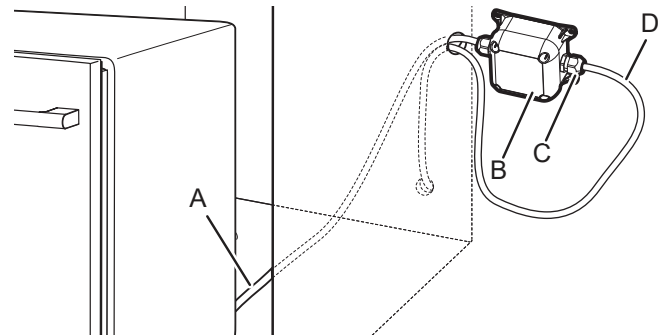
Brancher les fils entre eux à l'intérieur du boîtier de raccordement électrique à l'aide des écrous fournis.

Ne pas utiliser de câble de rallonge.

Le non-respect de ces instructions peut causer un décès, un incendie ou une décharge électrique.

Méthode de raccordement direct

1. Faire passer le câble du boîtier de raccordement électrique du lave-vaisselle par l'orifice du conduit électrique dans la paroi de l'armoire. Faire également passer le câblage domestique par le même trou, comme indiqué ci-dessous.



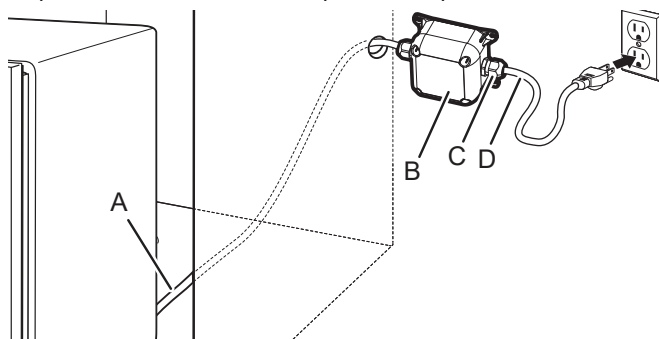
- A. Câble du boîtier de raccordement électrique
 B. Boîtier de raccordement électrique
 C. Raccords de câbles (2)
 D. Câblage domestique

2. Se rapporter à la section « Boîtier de raccordement électrique » de ce manuel du propriétaire pour fixer le raccord de câble au câblage de la maison et à son assemblage.
3. Après l'assemblage complet du boîtier de raccordement électrique avec le câblage domestique, fixer le boîtier de raccordement électrique à l'arrière de la paroi de l'armoire à l'aide de quatre vis (non fournies). S'assurer de ne pas enfoncer les vis dans les lignes électriques éventuellement situées dans le mur derrière le boîtier de raccordement électrique.

Branchement du câble d'alimentation

1. Utiliser la trousse de cordon d'alimentation (vendu séparément sous le numéro de pièce Whirlpool W11670634) et le boîtier de raccordement électrique (inclus) pour raccorder le lave-vaisselle à l'alimentation électrique, comme indiqué ci-dessous. La trousse de cordon d'alimentation comprend une fiche droite recommandée pour la plupart des installations.

REMARQUE : Pour faciliter certaines installations, un cordon d'alimentation avec une prise à angle droit est également disponible sous le numéro de pièce Whirlpool W11645183.



- A. Câble du boîtier de raccordement électrique
- B. Boîtier de raccordement électrique
- C. Raccords de câbles (2)
- D. Cordon d'alimentation

IMPORTANT : Ne pas brancher le cordon dans une prise avant d'en avoir reçu l'instruction.

2. Se rapporter à la section « Boîtier de raccordement électrique » de ce manuel du propriétaire pour fixer le raccord de câble au cordon d'alimentation et à son assemblage.
3. Après l'assemblage complet du boîtier de raccordement électrique avec le cordon d'alimentation, fixer le boîtier de raccordement électrique à l'arrière de la paroi de l'armoire à l'aide de quatre vis (non fournies). S'assurer de ne pas enfoncer les vis dans les lignes électriques éventuellement situées dans le mur derrière le boîtier de raccordement électrique.

Boîtier de raccordement électrique

1. Le boîtier de raccordement électrique se trouve dans un sac en plastique placé à l'intérieur d'une boîte en carton dans le panier inférieur du lave-vaisselle (préalablement retiré au début du processus d'installation).

⚠ AVERTISSEMENT



Risque de décharge électrique

Déconnecter la source de courant électrique avant l'entretien.

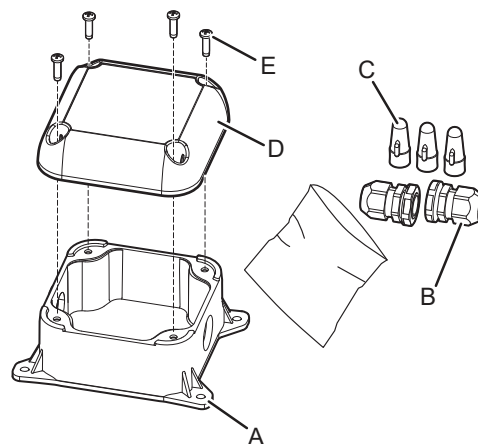
Attache-câbles complètement assemblés.

Placer tous les câbles dans le boîtier de connexion.

Remettre le couvercle avant de reconnecter l'alimentation électrique.

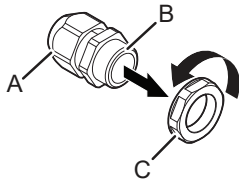
Le non-respect de ces instructions peut causer un décès, un incendie ou une décharge électrique.

2. Faire passer le câble du boîtier de raccordement électrique du lave-vaisselle par l'orifice du conduit électrique dans la paroi de l'armoire.
3. Utiliser un tournevis cruciforme no 2 pour retirer le couvercle du boîtier de raccordement électrique (4 vis).
4. Retirer le sac en plastique contenant les raccords de câbles et les capuchons de l'intérieur du boîtier de raccordement électrique. Retirer les raccords de câble et les capuchons du sac en plastique.



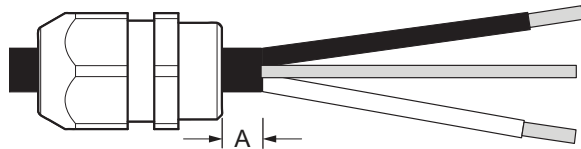
- A. Base du boîtier de raccordement électrique
- B. Raccords de câbles (2)
- C. Capuchons (3)
- D. Couvercle du boîtier de raccordement électrique
- E. (4) vis

5. Retirer les écrous de montage des raccords de câble comme indiqué ci-dessous.

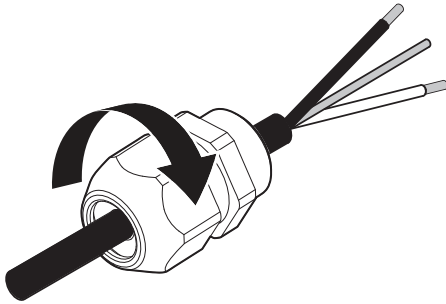


- A. Écrou allongé (serre-câbles)
B. Corps du serre-câbles
C. Écrou de montage

6. Fixer un raccord de câble au câble du boîtier de raccordement électrique du lave-vaisselle en faisant bien attention à l'orientation (voir l'illustration ci-dessous). Le raccord de câble doit être serré contre l'isolation secondaire (gaine en PVC).

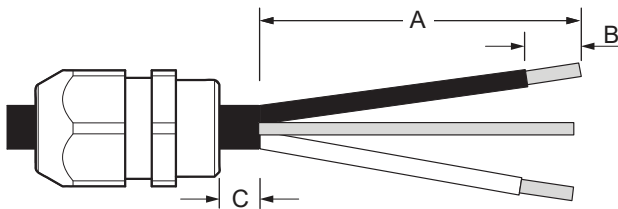


- A. 0,25 po (6,35 mm) minimum



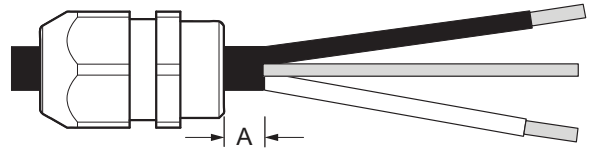
Utiliser une clé et/ou une pince pour serrer à fond l'écrou allongé (serre-câbles) contre le corps du serre-câbles.

7. Pour une connexion directe (domestique) (12-2/14-2 avec gaine non métallique/Romex), dénuder l'isolation de la gaine du fil domestique pour exposer les fils à une longueur de $5 \frac{1}{16}$ po (129,3 mm), comme indiqué ci-dessous. Dénuder chaque extrémité de fil de 0,75 po (19 mm). Fixer le deuxième raccord de câble au câblage domestique en faisant attention à l'orientation (voir l'illustration ci-dessous). Utiliser une clé et/ou une pince pour serrer à fond l'écrou allongé (serre-câbles) contre le corps du serre-câbles.



- A. $3 \frac{3}{4}$ po (95 mm)
B. 0,75 po (19 mm)
C. 0,25 po (6,35 mm) minimum

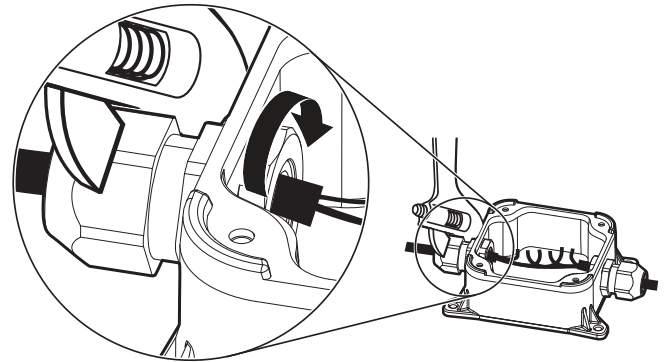
8. Pour la connexion du cordon d'alimentation, fixer le deuxième raccord de câble au cordon d'alimentation en faisant attention à l'orientation (voir l'illustration ci-dessous). Utiliser une clé et/ou une pince pour serrer à fond l'écrou allongé (serre-câbles) contre le corps du serre-câbles.



- A. 0,25 po (6,35 mm) minimum

REMARQUE : Les fils sous gaine non métallique sont destinés à être branchés directement.

9. Faire passer les extrémités des fils dans le boîtier de raccordement électrique par les orifices ronds situés sur les côtés. Fixer solidement les raccords de câble au boîtier de raccordement électrique à l'aide des écrous de montage en plastique fournis avec les raccords de câble. Serrer à la main les écrous de montage sur les raccords de câble, puis utiliser une clé à molette pour serrer d'un quart de tour supplémentaire. Utiliser une deuxième clé ou une pince pour fixer le corps du raccord de câble pendant le serrage de l'écrou de montage.



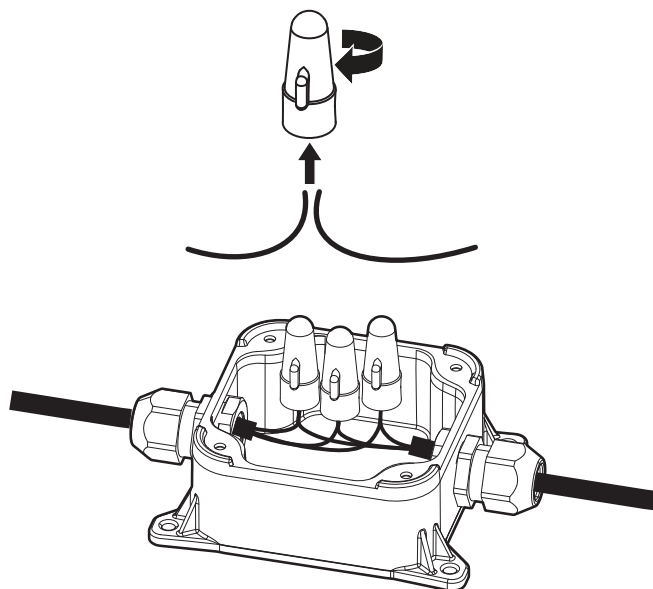
10. Brancher les fils entre eux à l'intérieur du boîtier de raccordement électrique à l'aide des écrous fournis. Raccorder les fils de même couleur ensemble (noir à noir, blanc à blanc et nu/vert à vert).

REMARQUE : Ne pas prétordre les fils avant d'effectuer les connexions.

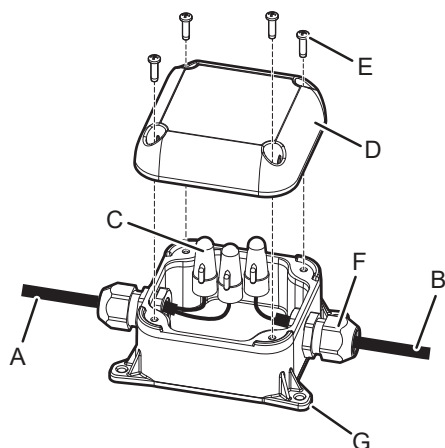
Configuration de câblage

Câble domestique ou cordon d'alimentation		Câble du boîtier de raccordement électrique
blanc	↔	blanc
noir	↔	noir
nu/vert	↔	vert

11. Pour utiliser un capuchon, tenir les extrémités dénudées/nues des fils parallèlement l'une à l'autre, en alignant leurs extrémités. Pousser fermement les fils dans le capuchon et tourner dans le sens horaire jusqu'à ce qu'ils soient bien fixés (les fils isolés à l'extérieur du connecteur commencent à se tordre). Tirer doucement sur chaque fil pour s'assurer qu'ils sont bien fixés.



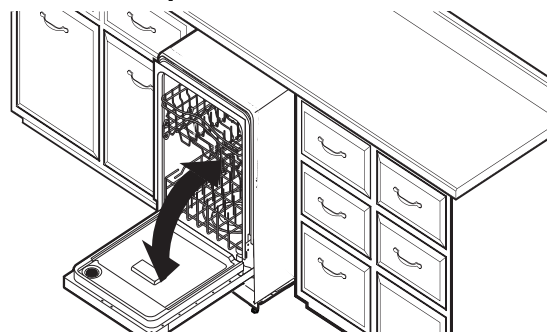
12. Fixer à nouveau le couvercle du boîtier de raccordement électrique à l'aide d'un tournevis cruciforme no 2. S'assurer à ce que les fils ne soient pas pincés entre le couvercle et la base du boîtier de raccordement électrique. Fixer le couvercle du boîtier de raccordement électrique à l'aide des 4 vis retirées à l'étape 3 et s'assurer que le couvercle est complètement fermé et bien fixé à la base.



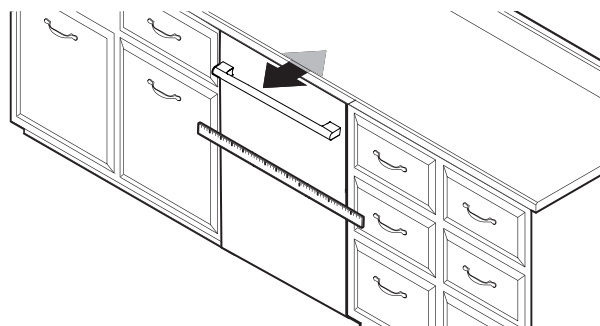
- | | |
|--|---|
| A. Câble du boîtier de raccordement électrique | E. (4) vis |
| B. Cordon d'alimentation ou câblage domestique | F. Raccords de câbles (2) |
| C. Capuchons (3) | G. Base du boîtier de raccordement électrique |
| D. Couvercle du boîtier de raccordement électrique | |

Vérification finale de l'installation

21. Ouvrir et fermer la porte

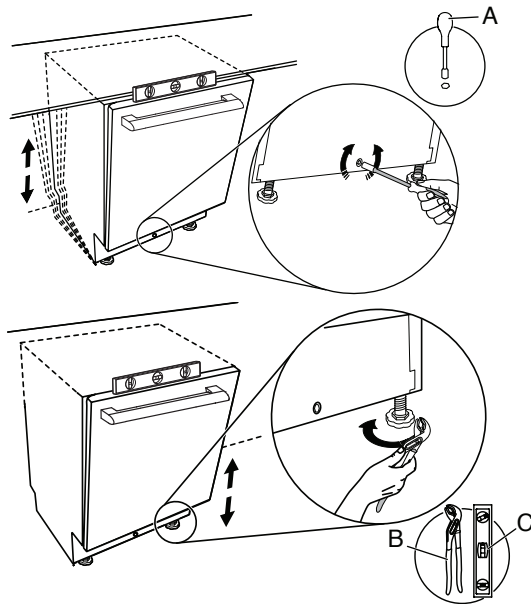


22. Aligner le lave-vaisselle en affleurement avec l'armoaire



Aligner le lave-vaisselle en affleurement avec l'armoaire.

23. Vérifier l'aplomb et régler les pieds au besoin



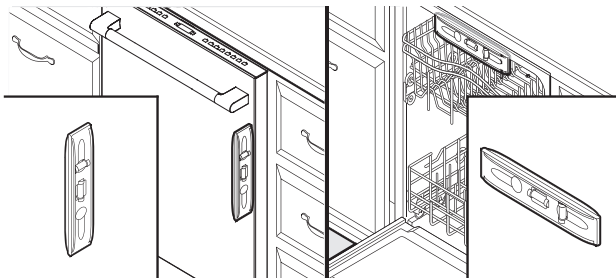
- A. Tourne-écrou ou douilles hexagonales de 5/16 po (8 mm)
- B. Pince – réglable jusqu'à 2 po (5,0 cm)
- C. Petit niveau

Utiliser une clé à molette pour régler les pieds avant et une douille de 5/16 po (8 mm) pour régler le pied arrière. Soulever le lave-vaisselle à 3 mm (1/8 po) du plan de travail. Vérifier que le lave-vaisselle est centré de gauche à droite dans l'ouverture. Si nécessaire, régler les pieds de nivellement jusqu'à ce que le lave-vaisselle soit d'aplomb.

Conseil utile : Si les pieds de nivellement avant sont difficiles à tourner, protéger le sol du client et utiliser une clé à molette. Il est également possible d'utiliser deux cales pneumatiques ou plus pour soulever temporairement l'avant du lave-vaisselle.

Fixation du lave-vaisselle dans l'ouverture d'encastrement de l'armoire

24. Vérifier de nouveau l'alignement du lave-vaisselle avec l'ouverture

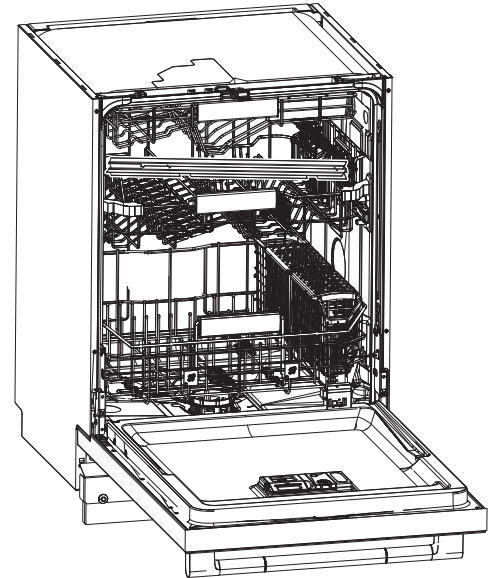


Vérifier que le lave-vaisselle est toujours d'aplomb d'avant en arrière et transversalement dans l'ouverture d'encastrement de l'armoire.

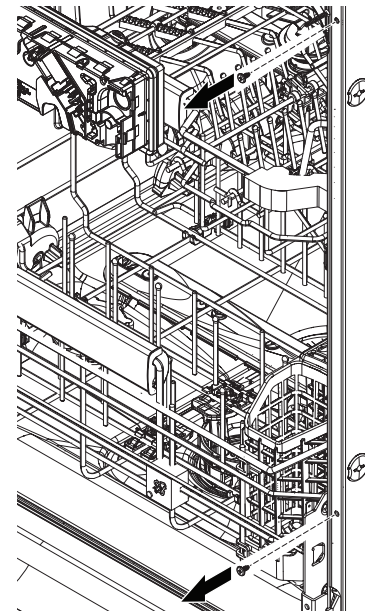
Ouvrir la porte du lave-vaisselle, placer une serviette sur la pompe et le bras d'aspersion du lave-vaisselle. Pour certains modèles, il peut être nécessaire de retirer le panier inférieur. Ceci empêchera les vis de tomber dans la pompe lors de la fixation du lave-vaisselle au plan de travail ou à l'armoire.

25. Couvertres pour espaces latéraux

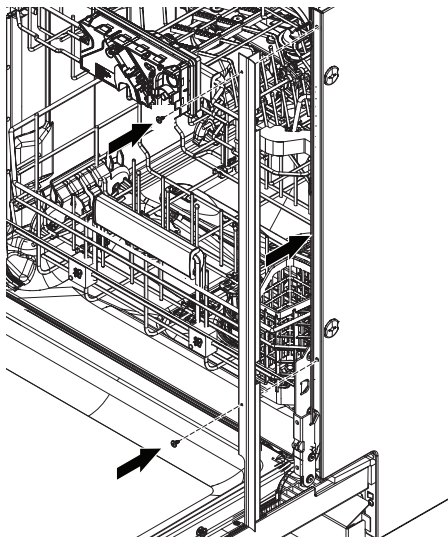
1. Retirer les couvercles pour espaces latéraux de la grille du deuxième niveau du lave-vaisselle.



2. Retirer les quatre vis du lave-vaisselle.



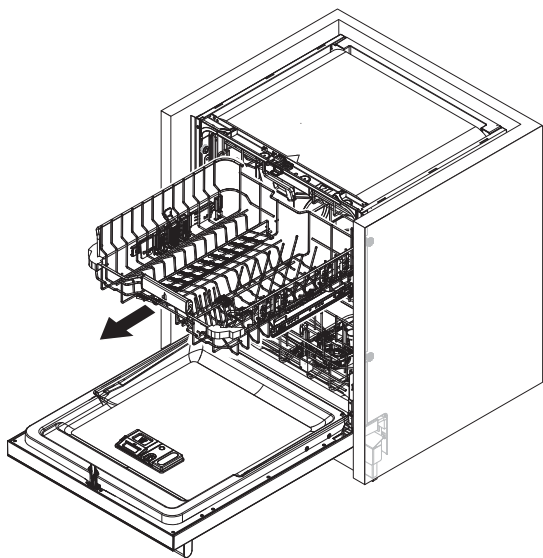
3. Positionner le couvercle pour espace latéral comme indiqué ci-dessous et s'assurer d'installer la vis supérieure en premier et la vis inférieure en dernier.



4. Répéter l'étape précédente pour installer l'autre couvercle d'espace latéral sur le lave-vaisselle.

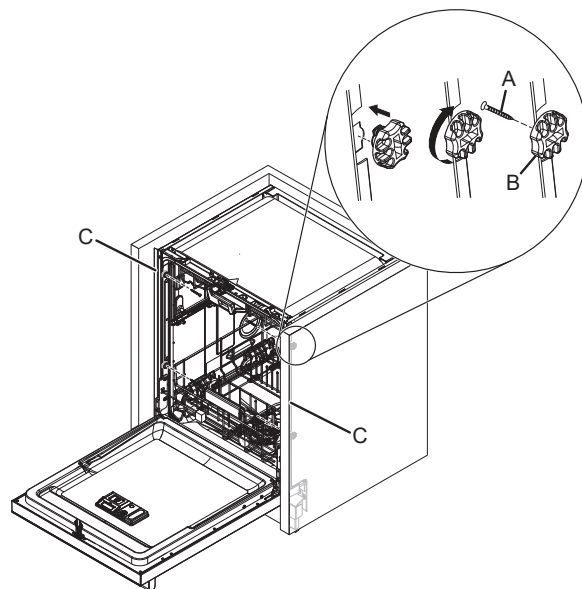
26. Pour les armoires sans cadre

1. Retirer le panier du haut pour faciliter l'accès.



2. Utiliser quatre cales en plastique épais (incluses) entre la paroi de l'armoire et les panneaux latéraux du lave-vaisselle.

3. Chaque cale a trois positions en fonction de l'espace disponible. Insérer la cale dans le panneau latéral du lave-vaisselle et tourner la cale de 90 degrés.



A. Vis à tête cruciforme de 3,5 mm x 18 mm (4)

B. Cales en plastique épais (4)

C. Couvercles pour espaces latéraux (2)

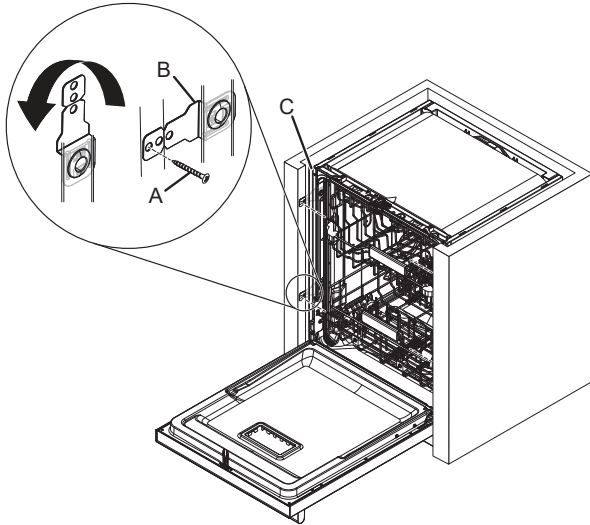
4. Une fois les cales bloquées dans leur position. Assujettir le lave-vaisselle aux côtés avec quatre vis à tête cruciformes 3,5 mm x 18 mm (incluses).

REMARQUES :

- Le lave-vaisselle doit être immobilisé pour l'empêcher de basculer lors de l'ouverture ou de la fermeture de la porte.
- Ne pas faire tomber de vis au fond du lave-vaisselle.

27. Pour les armoires à cadre avant

1. Utiliser quatre supports métalliques (inclus) entre le cadre de la face et les panneaux latéraux du lave-vaisselle.
2. Chaque support doit être inséré dans les fentes du panneau latéral du lave-vaisselle et tourner les supports de 90 degrés vers l'ouverture du meuble.
3. Une fois les cales bien en place, assujettir le lave-vaisselle aux côtés avec quatre vis à tête cruciformes 3,5 mm x 18 mm (incluses).



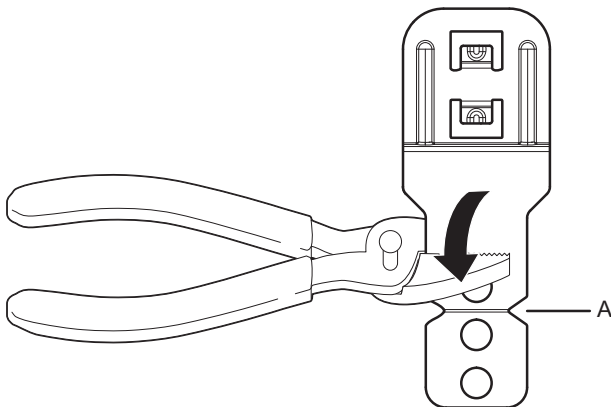
- A. Vis à tête cruciforme de 3,5 mm x 18 mm (4) B. Brides en métal (4)
C. Couvertres pour espaces latéraux (2)

REMARQUES :

- Le lave-vaisselle doit être immobilisé pour l'empêcher de basculer lors de l'ouverture ou de la fermeture de la porte.
- Ne pas faire tomber de vis au fond du lave-vaisselle.

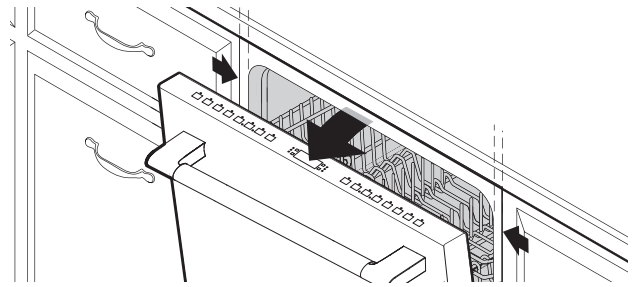
28. Briser le bout des supports

Selon la profondeur de l'espace entre le lave-vaisselle et le cadre avant, briser l'extrémité des supports le long de la ligne en pointillés à l'aide d'une pince afin d'obtenir la longueur requise du support. Utiliser un papier à poncer pour éliminer les bavures.



- A. Ligne en pointillés

29. Vérifier l'espace intérieur

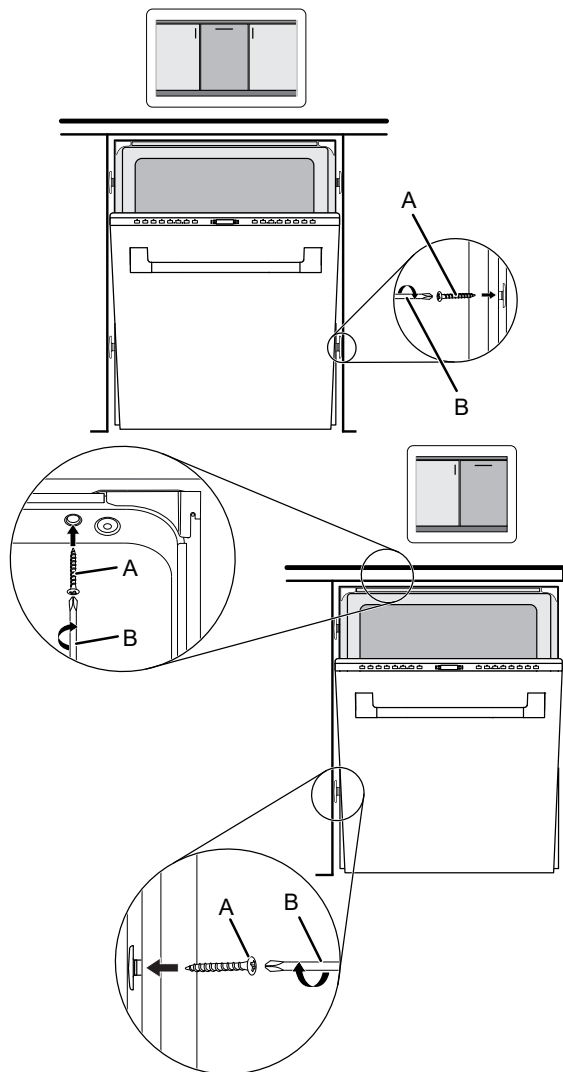


Ouvrir la porte et vérifier que la distance entre l'ouverture de l'armoire pour l'installation du lave-vaisselle et la cuve est la même des deux côtés. Si l'espace n'est pas identique des deux côtés, desserrer les vis des brides d'arrimage et déplacer légèrement la cuve. Resserrer les vis de brides.

Choix de l'option de fixation

IMPORTANT : Le lave-vaisselle doit être fixé à l'armoire lors de l'une des étapes finales. Préparer le lave-vaisselle en le fixant aux armoires à l'aide d'au moins 4 des 6 trous de vis disponibles.

30. Fixation à l'armoire :

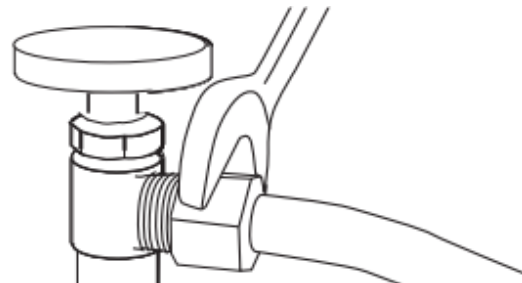


- A. Vis no 3,5 x 18 mm (4) pour la fixation à l'armoire
B. Tournevis à tête cruciforme no 2

Retirer les vis courtes de l'emballage et les insérer dans quatre des six trous de montage prévus. À l'aide d'un tournevis à tête cruciforme, les visser dans l'armoire. Si des vis plus longues sont nécessaires, l'installateur devra les fournir.

Branchement de l'arrivée d'eau au robinet d'arrêt de la maison

31. Fixer la canalisation d'alimentation en eau



Fixer la canalisation d'alimentation en eau (canalisation flexible à tresse d'acier) à la canalisation d'eau chaude à l'aide d'une configuration de raccordement qui soit conforme à tous les codes et règlements locaux. La canalisation d'alimentation en eau raccordée au lave-vaisselle doit comporter un robinet d'arrêt manuel situé sous l'évier.

Raccordement du tuyau de vidange

32. Raccordement du tuyau de vidange

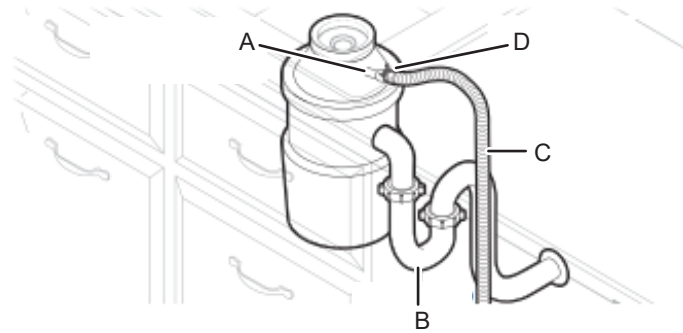
Employer l'une des options suivantes pour raccorder le tuyau d'évacuation sur un raccord T ou sur un broyeur à déchets :

- Option A : Broyeur de déchets – sans brise-siphon
- Option B : Sans broyeur de déchets – sans brise-siphon
- Option C : Broyeur de déchets – avec brise-siphon
- Option D : Sans broyeur de déchets – avec brise-siphon

IMPORTANT : Le raccordement du tuyau d'évacuation à la canalisation d'égout en T ou au raccord de broyeur à déchets doit être réalisé en amont du siphon du circuit d'évacuation et à au moins 20 po (508 mm) au-dessus du plancher de l'espace d'installation du lave-vaisselle.

Conseil utile : Afin de minimiser les vibrations du tuyau, le tenir à distance du plancher.

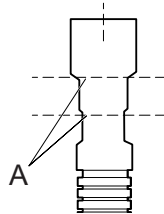
Option A : Broyeur de déchets – sans brise-siphon



- A. Entrée du broyeur à déchets
 B. Siphon du circuit d'évacuation
 C. Tuyau d'évacuation
 D. Bride de fixation du tuyau de vidange (couleur rouge)

Conseil utile : Ôter l'opercule escamotable du broyeur à déchets.

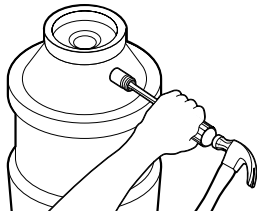
1. Raccorder l'extrémité en caoutchouc (A) du tuyau d'évacuation à la canalisation d'égout en T et couper si nécessaire.



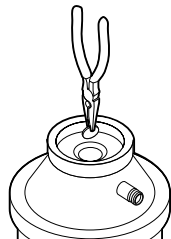
A. Deux petites lignes

REMARQUE : Ne pas couper la section ondulée.

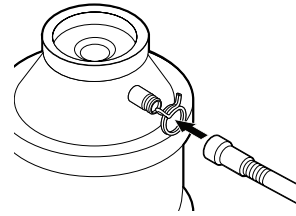
2. À l'aide d'un marteau et d'un tournevis, enfoncer le bouchon d'obturation dans le broyeur à déchets.



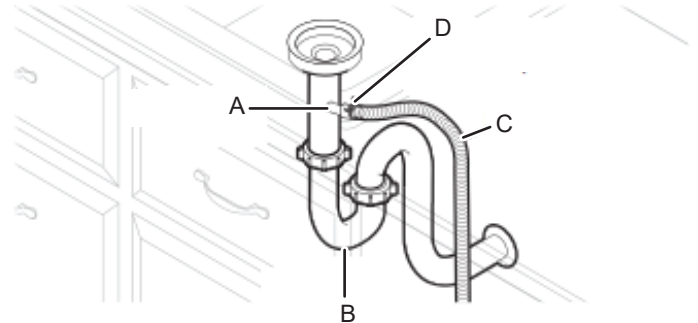
3. Retirer le bouchon d'obturation à l'aide de pinces à pointe biseautée.



4. Fixer le tuyau de vidange à l'entrée du broyeur à déchets en utilisant la bride de fixation du tuyau de vidange (couleur rouge) (incluse). À l'aide de pinces, serrer la bride pour l'ouvrir et la mettre en position.

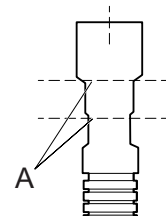


Option B : Sans broyeur de déchets – sans brise-siphon



- A. Tuyau d'évacuation en T
 B. Siphon du circuit d'évacuation
 C. Tuyau d'évacuation
 D. Bride de fixation du tuyau de vidange (couleur rouge)

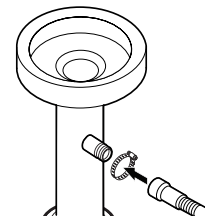
1. Raccorder l'extrémité en caoutchouc (A) du tuyau d'évacuation à la canalisation d'égout en T et couper si nécessaire.



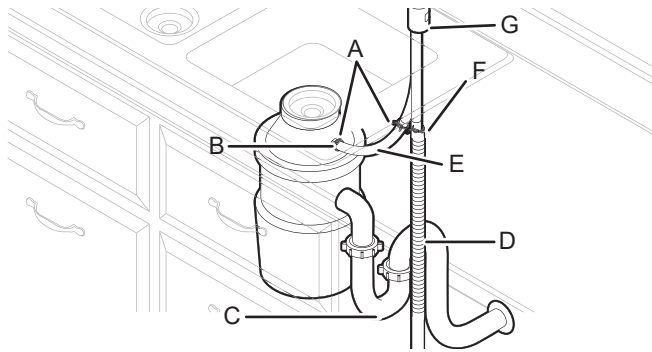
A. Deux petites lignes

REMARQUE : Ne pas couper la section ondulée.

2. Fixer l'extrémité en caoutchouc du tuyau d'évacuation à la canalisation d'égout en T à l'aide d'une bride de fixation du tuyau de vidange (couleur rouge) (incluse). À l'aide de pinces, serrer la bride pour l'ouvrir et la mettre en position. Si le tuyau d'évacuation a été coupé, utiliser une bride à vis de 1 1/2 po à 2 po (38 mm à 50 mm) (non fournie).



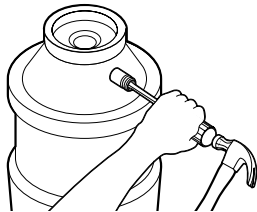
Option C : Broyeur de déchets – avec brise-siphon



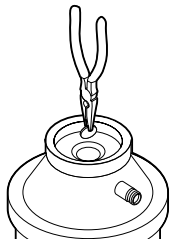
- | | |
|-----------------------------------|--|
| A. Bride à vis | E. Raccord de tuyau en caoutchouc |
| B. Entrée du broyeur à déchets | F. Bride de fixation du tuyau de vidange (couleur rouge) |
| C. Siphon du circuit d'évacuation | G. Brise-siphon |
| D. Tuyau d'évacuation | |

Conseil utile : Ôter l'opercule escamotable du broyeur à déchets.

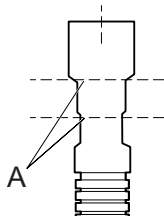
- À l'aide d'un marteau et d'un tournevis, enfoncer le bouchon d'obturation dans le broyeur à déchets.



- Retirer le bouchon d'obturation à l'aide de pinces à pointe biseautée.



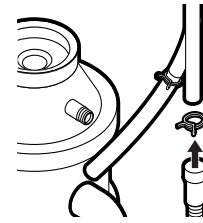
- Raccorder l'extrémité en caoutchouc (A) du tuyau d'évacuation au dispositif de brise-siphon et couper si nécessaire.



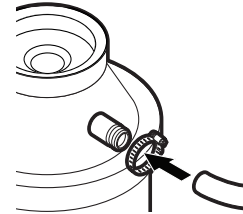
A. Deux petites lignes

REMARQUE : Ne pas couper la section ondulée.

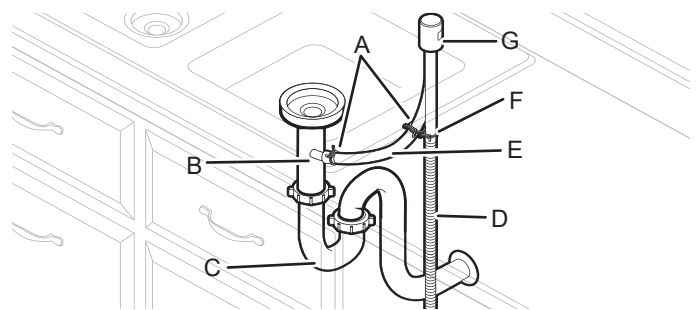
- Fixer le tuyau de vidange au brise-siphon en utilisant la bride de fixation du tuyau de vidange (couleur rouge) (incluse). À l'aide de pinces, serrer la bride pour l'ouvrir et la mettre en position. Si le tuyau d'évacuation a été coupé, utiliser une bride à vis de 1 1/2 po à 2 po (38 mm à 50 mm) (non fournie).



- Utiliser un tuyau en caoutchouc (non fourni) et une bride à vis (non fournie) pour le raccordement du dispositif de brise-siphon à l'entrée du broyeur à déchets.

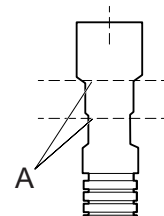


Option D : Sans broyeur de déchets – avec brise-siphon



- | | |
|-----------------------------------|--|
| A. Bride à vis | E. Raccord de tuyau en caoutchouc |
| B. Tuyau d'évacuation en T | F. Bride de fixation du tuyau de vidange (couleur rouge) |
| C. Siphon du circuit d'évacuation | G. Brise-siphon |
| D. Tuyau d'évacuation | |

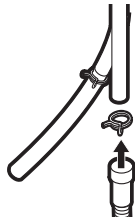
- Raccorder l'extrémité en caoutchouc (A) du tuyau d'évacuation au dispositif de brise-siphon et couper si nécessaire.



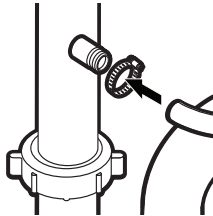
A. Deux petites lignes

REMARQUE : Ne pas couper la section ondulée.

2. Fixer le tuyau de vidange au brise-siphon en utilisant la bride de fixation du tuyau de vidange (couleur rouge) (incluse). À l'aide de pinces, serrer la bride pour l'ouvrir et la mettre en position. Si le tuyau d'évacuation a été coupé, utiliser une bride à vis de 1 1/2 po à 2 po (38 mm à 50 mm) (non fournie).



3. Utiliser un tuyau en caoutchouc (non fourni) et une bride à vis (non fournie) pour le raccordement de la canalisation d'égout en T au dispositif de brise-siphon.



Achever l'installation

⚠ AVERTISSEMENT



Risque de décharge électrique

Brancher l'appareil sur une prise à 3 alvéoles reliée à la terre.

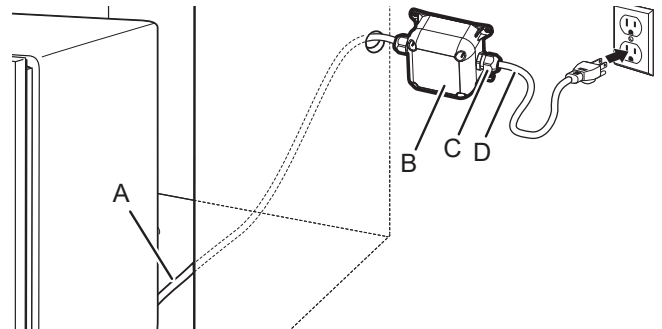
Ne pas enlever la prise de liaison à la terre.

Ne pas utiliser d'adaptateur.

Ne pas utiliser de rallonge.

Le non-respect de ces instructions peut causer un décès, un incendie ou une décharge électrique.

33. Cordon d'alimentation électrique – brancher dans une prise à trois alvéoles reliée à la terre



A. Câble du boîtier de raccordement électrique
B. Boîtier de raccordement électrique

C. Raccords de câbles (2)
D. Cordon d'alimentation

Brancher l'appareil sur une prise à 3 alvéoles reliée à la terre.

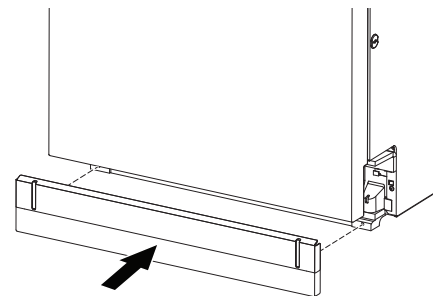
34. Rétablir l'alimentation électrique

Reconnecter l'alimentation électrique du tableau de distribution (fusible ou disjoncteur).

REMARQUE : Avec le panneau d'accès fermé, mettre le lave-vaisselle en marche et le laisser effectuer complètement le programme de lavage le plus court. Après les 2 premières minutes, déverrouiller la porte; attendre 5 secondes, puis ouvrir la porte. Vérifier qu'il y a bien de l'eau au fond de la cuve du lave-vaisselle. Vérifier que le lave-vaisselle fonctionne correctement.

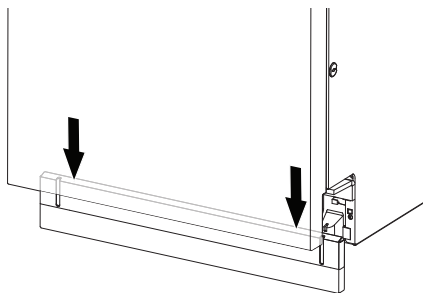
Installation du panneau d'accès

35. Installation de la plinthe



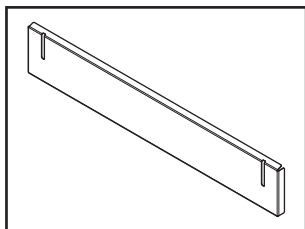
Installer la plinthe comme indiqué dans l'image ci-dessus.

36. Inspecter le bord de la plinthe

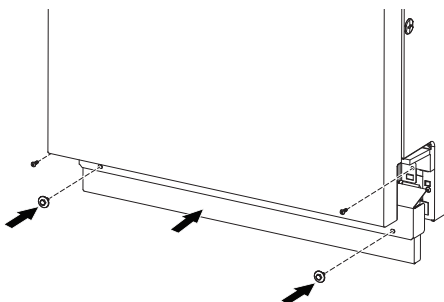


Vérifier que la rive inférieure de la plinthe est en contact avec le plancher. La réajuster au besoin.

IMPORTANT : S'il y a un espace visible avec le sol après l'installation de la plinthe, la remplacer par la plinthe alternative (grande) fournie avec le lave-vaisselle, expédié à l'arrière du lave-vaisselle.

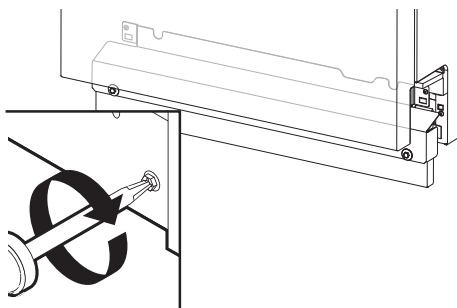


37. Installation du panneau d'accès



Placer le panneau d'accès contre les pieds du lave-vaisselle. À l'aide d'un tournevis à tête cruciforme ou d'un tourne-écrou de 1/4 po, réinstaller les vis dans les trous du panneau d'accès.

38. Serrer les vis

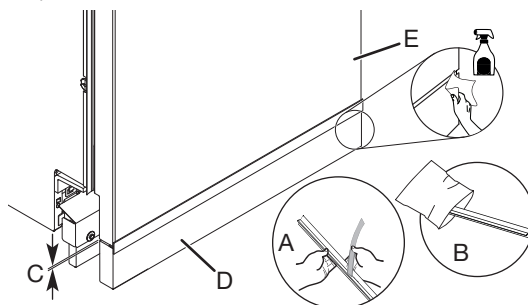


Serrer les vis du panneau d'accès.

Installation du joint en T (sur certains modèles)

Si l'installateur utilise un panneau d'accès personnalisé à monter au-dessus du panneau d'accès de l'unité et s'il choisit de couvrir l'espace entre les joints, le joint en T inférieur peut être fixé entre le panneau avant personnalisé et le panneau d'accès.

Un panneau d'accès personnalisé peut être fixé en haut du panneau d'accès du lave-vaisselle. L'installateur peut utiliser un joint en T pour combler l'espace entre le panneau d'accès personnalisé et la porte du panneau personnalisé (comme illustré ci-dessous).



- A. Joint en T
- B. Enveloppe en polyéthylène
- C. 3/16 po (5 mm)
- D. Panneau d'accès personnalisé
- E. Panneau de porte personnalisé

1. Retirer les bandes adhésives du joint en T et le fixer sur la surface supérieure du panneau d'accès personnalisé. Commencer par le bord gauche ou droit et continuer le long de ce bord.
2. À l'aide d'une serviette en papier ou d'un chiffon, appuyer sur la surface avant du joint en T pour s'assurer qu'il est bien installé.

Vérification du fonctionnement

- Lire le guide de démarrage rapide du lave-vaisselle compris avec le lave-vaisselle.
- Vérifier que toutes les pièces ont été installées et qu'aucune étape n'a été omise.

Si le lave-vaisselle ne fonctionne pas correctement, déconnecter la source de courant électrique ou débrancher le lave-vaisselle et consulter la section « Si le lave-vaisselle ne fonctionne pas ».

Si le lave-vaisselle ne fonctionne pas

Essayer d'abord les solutions suggérées ici pour éviter le coût d'une intervention de dépannage.

- Un disjoncteur est-il ouvert ou un fusible grillé?
- La porte est-elle bien fermée et enclenchée?
- Le programme a-t-il été correctement sélectionné pour que le lave-vaisselle puisse se mettre en marche?
- L'arrivée d'eau est-elle ouverte?

Si aucune de ces solutions ne fonctionne, consulter les coordonnées indiquées dans le guide de démarrage rapide.

Conseils supplémentaires

Prévoir des durées de séchage plus longues. La durée d'exécution des programmes de votre nouveau lave-vaisselle est d'environ 2 à 5 heures par charge, mais il utilise presque 40 % moins d'énergie que des modèles plus anciens. Conçu pour une faible consommation d'ensemble avec un moteur à faible consommation d'énergie, votre lave-vaisselle lave plus longtemps pour garantir un lavage d'exception. Certains modèles sont dotés d'un capteur optique de niveau d'eau; pour ces modèles, le premier programme doit se calibrer en fonction du capteur optique et est donc plus long que les autres. La sélection de certaines options peut entraîner l'allongement de la durée du programme et mener à une durée totale de plus de 3 heures et demie.

L'agent de rinçage est essentiel pour un séchage satisfaisant : Afin d'obtenir un bon séchage et pour limiter l'accumulation de dépôts d'eau dure, ce lave-vaisselle est conçu pour être utilisé avec un agent de rinçage. Les lave-vaisselle éconergiques consomment moins d'eau et d'énergie. Ils dépendent donc de l'effet « nappe d'eau » d'un agent de rinçage pour fournir un bon séchage.

Il est possible que le témoin lumineux Start/Resume (mise en marche/reprise) clignote :

Lorsque l'on appuie sur Start/Resume (mise en marche/reprise), refermer la porte dans les 4 secondes qui suivent. Si l'on ne ferme pas la porte dans les 4 secondes qui suivent, le témoin lumineux Start/Resume (mise en marche/reprise) continue de clignoter jusqu'à ce que l'on appuie à nouveau dessus. (Cette opération est également nécessaire lors de l'ajout d'un plat au cours d'un programme.)

NOTES

NOTES

NOTES