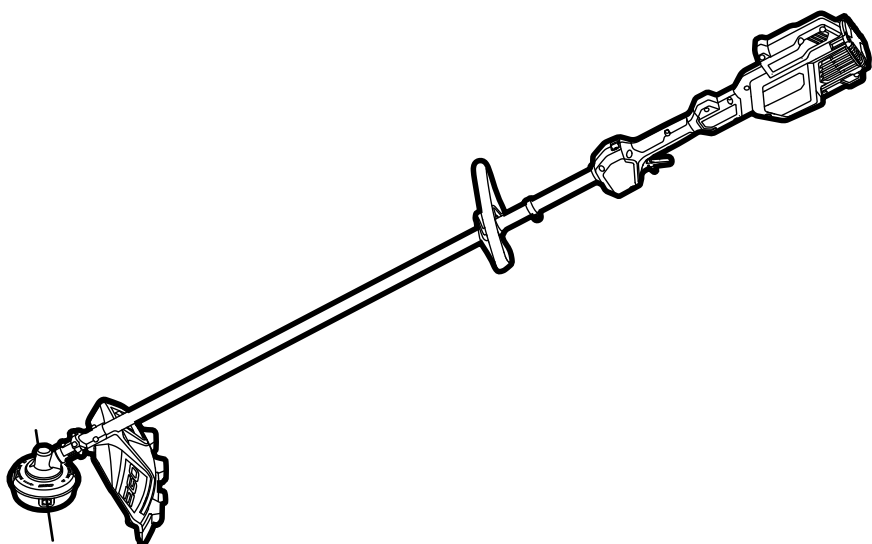


# EGO™

POWER<sup>+</sup> STRING TRIMMER



OPERATOR'S MANUAL

## 56-VOLT LITHIUM-ION REAR-MOTOR 15" STRING TRIMMER

Français p. 33

Español p. 69

MODEL NUMBER  
STX3800

**⚠ WARNING:** To reduce the risk of injury, the user must read and understand the Operator's Manual before using this product. Save these instructions for future reference.



# TABLE OF CONTENTS

Safety Symbols .....	4
Safety Instructions.....	5-10
Introduction .....	10
Specifications .....	11
Packing List .....	11
Description .....	12-13
Assembly .....	14-17
Operation .....	18-24
Maintenance .....	25-28
Troubleshooting.....	29-30
Warranty .....	31-32

# READ ALL INSTRUCTIONS!



READ & UNDERSTAND  
OPERATOR'S MANUAL

**⚠ WARNING:** Some dust created by power sanding, sawing, grinding, drilling and other construction activities contains chemicals known to the state of California to cause cancer, birth defects or other reproductive harm. Some examples of these chemicals are:

- Lead from lead-based paints
- Crystalline silica from bricks and cement and other masonry products, and
- Arsenic and chromium from chemically-treated lumber.

Your risk from these exposures varies, depending on how often you do this type of work. To reduce your exposure to these chemical: work in a well ventilated area, and work with approved safety equipment, such as those dust masks that are specially designed to filter out microscopic particles.

## SAFETY SYMBOLS

The purpose of safety symbols is to attract your attention to possible dangers. The safety symbols and the explanations with them deserve your careful attention and understanding. The symbol warnings do not, by themselves, eliminate any danger. The instructions and warnings they give are no substitutes for proper accident prevention measures.

**⚠ WARNING:** Be sure to read and understand all safety instructions in this Operator's Manual, including all safety alert symbols such as "**DANGER**," "**WARNING**," and "**CAUTION**" before using this tool. Failure to follow all instructions listed below may result in electric shock, fire, and/or serious personal injury.

### SYMBOL MEANING

**⚠ SAFETY ALERT SYMBOL:** Indicates DANGER, WARNING, OR CAUTION. May be used in conjunction with other symbols or pictographs.



**⚠ WARNING!** The operation of any power tools can result in foreign objects being thrown into your eyes, which can result in severe eye damage. Before beginning power tool operation, always wear safety goggles or safety glasses with side shields and a full face shield when needed. We recommend a Wide Vision Safety Mask for use over eyeglasses or standard safety glasses with side shields. Always use eye protection which is marked to comply with ANSI Z87.1.



# SAFETY INSTRUCTIONS

This page depicts and describes safety symbols that may appear on this product. Read, understand, and follow all instructions on the machine before attempting to assemble and operate it.

	Safety Alert	Indicates a potential personal injury hazard.
	Read & Understand Operator's Manual	To reduce the risk of injury, user must read and understand the operator's manual before using this product. Failure to do so can result in serious injury to the operator and/or bystander.
	Wear Eye Protection	Always wear safety goggles or safety glasses with side shields when operating this product that comply with ANSI Z87.1.
	Recycle Symbols	This product uses lithium - ion (Li - ion) batteries. Local, state, or federal laws may prohibit disposal of batteries in ordinary trash. Consult your local waste authority for information regarding available recycling and/or disposal options.
IPX5	Ingress Protection Degree	Protection from water jets
V	Volt	Voltage
	Direct Current	Type or a characteristic of current
$n_0$	No-Load Speed	Rotational speed, at no load
RPM	Revolutions per minute	Rotational speed
cm	Centimeter	Length or size
mm	Millimeter	Length or size
in.	Inch	Length or size
kg	Kilogram	Weight
lb	Pound	Weight

## GENERAL BATTERY-OPERATED POWER TOOL SAFETY WARNINGS

**⚠ WARNING!** Read all safety warnings, instructions, illustrations and specifications provided with this power tool. Failure to follow all instructions listed below may result in electric shock, fire and/or serious injury.

Save all warnings and instructions for future reference.

### WORK AREA SAFETY

- **Keep work area clean and well lit.** Cluttered or dark areas invite accidents.
- **Do not operate power tools in explosive atmospheres, such as in the presence of flammable liquids, gases or dust.** Power tools create sparks which may ignite the dust or fumes.
- **Keep children and bystanders away while operating a power tool.** Distractions can cause you to lose control.
- **Avoid Dangerous Environment** - Don't use appliances in damp or wet locations.

### PERSONAL SAFETY

- **Stay alert, watch what you are doing and use common sense when operating a power tool. Do not use a power tool while you are tired or under the influence of drugs, alcohol or medication.** A moment of inattention while operating power tools may result in serious personal injury.
- **Always use personal protective equipment.** Personal protective equipment such as eye protection, dust mask, non-skid safety shoes, hard hat and/or hearing protection used for appropriate conditions will reduce personal injuries.
- **Prevent unintentional starting. Ensure the switch is in the off-position before connecting to the battery pack, picking up or carrying the tool.** Carrying power tools with your finger on the switch or energizing power tools that have the switch on invites accidents.
- **Remove any adjusting key or wrench before turning the power tool on.** A wrench or a key left attached to a moving part of the power tool may result in personal injury.
- **Do not overreach. Keep proper footing and balance at all times.** This enables better control of the power tool in unexpected situations.

- **Dress properly. Do not wear loose clothing or jewelry. Keep your hair and clothing away from moving parts.** Loose clothes, jewelry or long hair can be caught in moving parts.
- **If devices are provided for the connection of dust extraction and collection facilities, ensure these are connected and properly used.** Use of dust collection can reduce dust-related hazards.
- **Do not let familiarity gained from frequent use of tools allow you to become complacent and ignore tool safety principles.** A careless action can cause severe injury within a fraction of a second.

## POWER TOOL USE AND CARE

- **Do not force the power tool. Use the correct power tool for your application.** The correct power tool will do the job better and safer at the rate for which it was designed.
- **Do not use the power tool if the switch does not turn it on and off.** Any power tool that cannot be controlled with the switch is dangerous and must be repaired.
- **Remove the battery pack, if detachable, from the power tool and/or activate any battery disabling device before clearing jammed material, making any adjustments, changing accessories, cleaning, or storing power tools.** Such preventive safety measures reduce the risk of starting the power tool accidentally.
- **Store idle power tools out of the reach of children and do not allow persons unfamiliar with the power tool or these instructions to operate the power tool.** Power tools are dangerous in the hands of untrained users.
- **Maintain power tools and accessories. Check for misalignment or binding of moving parts, breakage of parts and any other condition that may affect the power tool's operation. If damaged, have the power tool repaired before use.** Many accidents are caused by poorly maintained power tools and accessories.
- **Keep cutting tools sharp and clean.** Properly maintained cutting tools with sharp cutting edges are less likely to bind and are easier to control.
- **Use the power tool, accessories, tool bits, etc. in accordance with these instructions, taking into account the working conditions and the work to be performed.** Use of the power tool for operations different from those intended could result in a hazardous situation.

- **Keep handles and grasping surfaces dry, clean and free from oil and grease.** Slippery handles and grasping surfaces may lead to unsafe handling and/or loss of control of the tool.
- **Keep cables away from the working area of the tool.** During operation cables may be hidden from view and can be accidentally damaged by the tool.

## BATTERY TOOL USE AND CARE

- **Recharge only with the charger specified by the manufacturer.** A charger that is suitable for one type of battery pack may create a risk of fire when used with another battery pack. Use only with the battery packs and chargers listed below.

BATTERY PACK	CHARGER
BAX1501	CHX5500

- **Use power tools only with specifically designated battery packs.** Use of any other battery packs may create a risk of injury and fire.
- **When battery pack is not in use, keep it away from other metal objects, like paper clips, coins, keys, nails, screws or other small metal objects, that can make a connection from one terminal to another.** Shorting the battery terminals together may cause burns or a fire.
- **Under abusive conditions, liquid may be ejected from the battery; avoid contact. If contact accidentally occurs, flush with water. If liquid contact eyes, additionally seek medical help.** Liquid ejected from the battery may cause irritation or burns.
- **Do not use a battery pack or tool that is damaged or modified.** Damaged or modified batteries may exhibit unpredictable behavior resulting in fire, explosion or risk of injury.
- **Do not expose a battery pack or tool to fire or excessive temperature.** Exposure to fire or temperature above 212 °F (100°C) may cause explosion.
- **Follow all charging instructions and do not charge the battery pack or tool outside the temperature range specified in the instructions.** Charging improperly or at temperatures outside the specified range may damage the battery and increase the risk of fire.

## SERVICE

- **Have your power tool serviced by a qualified repair person using only identical replacement parts.** This will ensure that the safety of the power tool is maintained.
- **Never service damaged battery packs.** Service of battery packs should only be performed by the manufacturer or authorized service providers

## SAFETY INSTRUCTIONS FOR STRING TRIMMER

- **When replacing the cutting line, use no more than 0.105 in(2.7 mm) nylon line;** using heavier lines than recommended by the manufacturer increases the load on the motor and reduces its operating speed. This results in overheating and damage to the trimmer.
- **To reduce the risk of serious injury, never use wire or metal-reinforced line or other material in place of the nylon cutting lines.** Pieces of wire could break off and be thrown at high speed toward the operator or bystanders.
- **Replace a cracked, damaged or worn-out cutting head immediately, even if damage is limited to superficial cracks.** Such attachments may shatter at high speed and cause serious or fatal injury.

## IMPORTANT SAFETY INSTRUCTIONS

- **If the power tool should start to vibrate abnormally or become noisy, stop the motor and check immediately for the cause.** Abnormal noise is generally a warning of trouble.
- **Make sure all proper guards and other safety devices are properly and securely attached before using this product. Do not operate without guards in place.**
- **Do not charge the battery pack in rain, or in wet locations.**
- **Do not dispose of the battery in a fire.** The cells may explode. Check with local codes for possible special disposal instructions.
- **Do not open or mutilate the battery.** Released electrolyte is corrosive and may cause damage to the eyes or skin. It may be toxic if swallowed.
- **Battery tools do not have to be plugged into an electrical outlet; therefore, they are always in operating condition.** Be aware of possible hazards even when the tool is not operating. Take care when performing maintenance or service.



- **Do not wash with a hose; avoid getting water in motor and electrical connections.**
- **If situations occur that are not covered in this manual, use care and good judgment. Contact the EGO Customer Service Center for assistance.**
- **SAVE THESE INSTRUCTIONS.** Refer to them frequently and use them to instruct others who may use this tool. If you lend this tool to someone else, also lend these instructions to them to prevent misuse of the product and possible injury.

**SAVE THESE INSTRUCTIONS!**

## INTRODUCTION

Congratulations on your selection of the new EGO POWER+ 56V Lithium-ion string trimmer. It has been designed, engineered and manufactured to give you the best possible dependability and performance.


Should you experience any problem you cannot easily remedy, please contact EGO customer service center 1-855-EGO-5656.

This manual contains important information on the safe assembly, operation and maintenance of your string trimmer. Read it carefully before using the string trimmer. Keep this manual handy so you can refer to it at any time.

SERIAL NUMBER \_\_\_\_\_ DATE OF PURCHASE \_\_\_\_\_

YOU SHOULD RECORD BOTH SERIAL NUMBER AND DATE OF PURCHASE AND KEEP IN A SAFE PLACE FOR FUTURE REFERENCE

## SPECIFICATIONS

Voltage	56 V 
No Load Speed ( $n_0$ )	Up to 5800 RPM
Cutting Mechanism	Bump Feed Trimmer Head
Cutting Line Type	0.095" (2.4mm) to 0.105" (2.7mm) nylon twist line
Cutting Width	15 in. (38 cm)
Operating Temperature	32°F-104°F (0°C-40°C)
Storage Temperature	-4°F-158°F (-20°C-70°C)
Net Weight (including the guard)	12.79 lbs. (5.8 kg)

## Recommended Accessories

PART NAME	MODEL NUMBER
Cutting Line (0.095 in./2.4 mm twist line)	AL2415S/AL2450S/AL2420P
Trimmer Head	AH3800
Trimmer Spool	AS3800
Trimmer Head Bump Feed Button	ABT3800

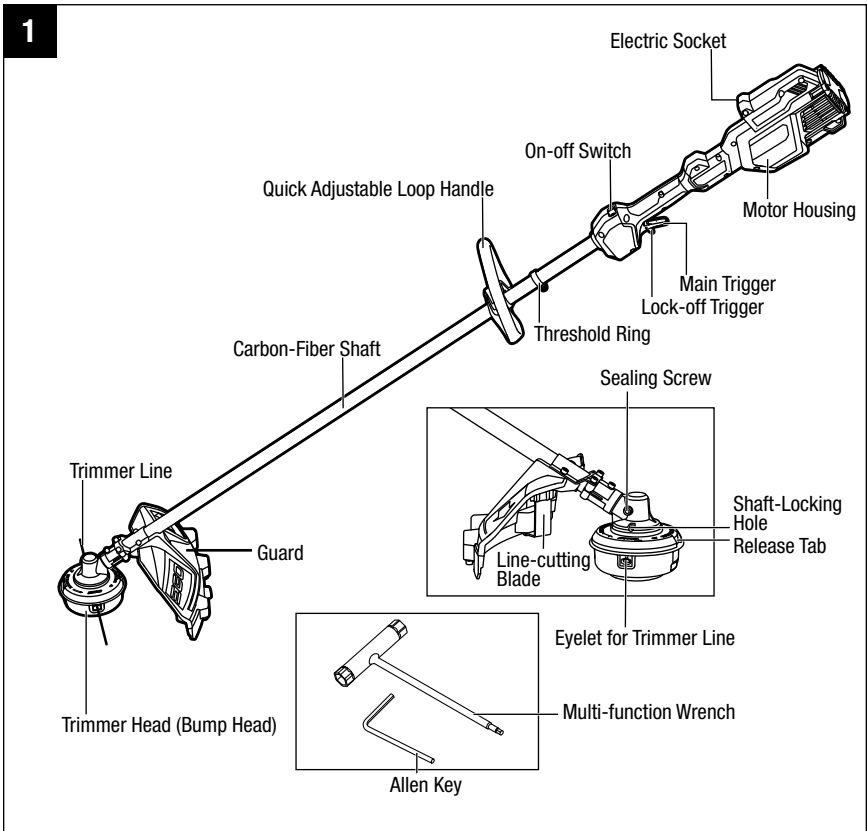
## PACKING LIST

PART NAME	QUANTITY
String Trimmer	1
Guard	1
Quick Adjustable Loop Handle	1
Allen Key	1
Multi-Function Wrench	1
Operator's Manual	1

## DESCRIPTION

### KNOW YOUR STRING TRIMMER (Fig. 1)

The safe use of this product requires an understanding of the information on the tool and in this operator's manual, as well as knowledge of the project you are attempting. Before using this product, familiarize yourself with all operating features and safety rules.



**⚠ WARNING:** Never operate the tool without the guard firmly in place. The guard must always be on the tool to protect the user.



## **QUICK ADJUSTABLE LOOP HANDLE**

For easy control of the trimmer during cutting.

## **THRESHOLD RING**

Limits the loop handle mounting position.

## **GUARD**

Reduces the risk of injury from foreign objects flung backwards toward the operator and from contact with the cutting attachment.

## **LINE-CUTTING BLADE**

Steel blade on the guard that maintains the cutting line at the proper length.

## **TRIMMER HEAD (BUMP HEAD)**

Stores the cutting line and releases the cutting line when the head is lightly tapped on the ground during operation.

## **SHAFT-LOCKING HOLE**

For stabilization during trimmer head replacement.

## **SEALING SCREW**

For convenient gear lubrication in the gear case.

## **MAIN TRIGGER/LOCK-OFF TRIGGER**

Turns the tool ON and OFF; the lock-off trigger must be squeezed before pressing the main trigger.

## **ON-OFF SWITCH**

Helps to prevent accidental or unauthorized activation of the triggers. It must be adjusted to the "ON" position before the trigger can be activated.

## **ELECTRIC SOCKET**

Directly plug-in the battery plug.

## **ALLEN KEY/ MULTI-FUNCTION WRENCH**

Assists in trimmer head replacement.

## ASSEMBLY

**⚠ WARNING:** If any part is damaged or missing, do not operate this product until the part is replaced. Use of this product with damaged or missing parts could result in serious personal injury.

**⚠ WARNING:** Do not attempt to modify this product or create accessories not recommended for use with this string trimmer. Any such alteration or modification is misuse and could result in a hazardous condition leading to possibly serious personal injury.

**⚠ WARNING:** Always wear heavy gloves when doing any maintenance on the blade. Be careful of the blade and protect your hands from being injured by the blade.

**⚠ WARNING:** To prevent accidental starting that could cause serious personal injury, always remove the power plug from the tool when assembling parts, making adjustments, cleaning, or when not in use.

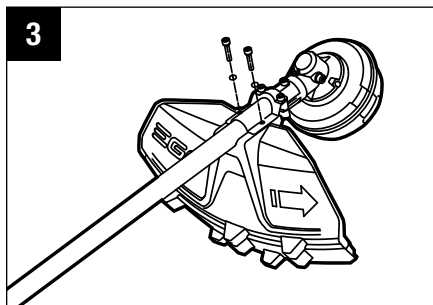
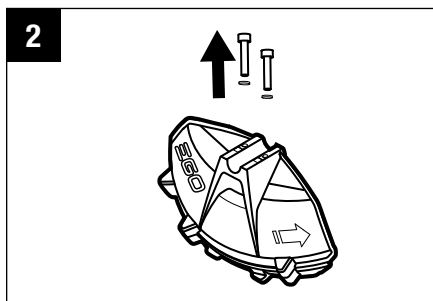
## UNPACKING

- This product requires assembly.
- Carefully remove the product and any accessories from the box. Make sure that all items listed in the packing list are included.
- Inspect the tool carefully to make sure that no breakage or damage occurred during shipping.
- Do not discard the packing material until you have carefully inspected and satisfactorily operated the tool.
- If any part is damaged or missing, please return the product to the place of purchase.

## MOUNTING THE GUARD

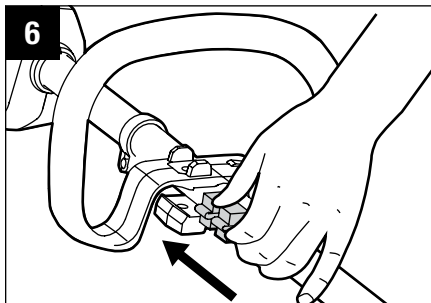
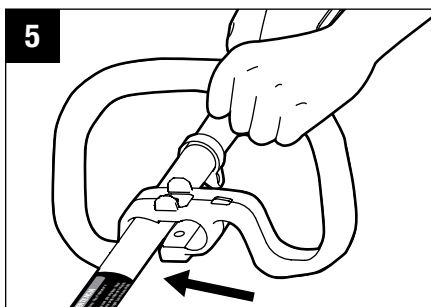
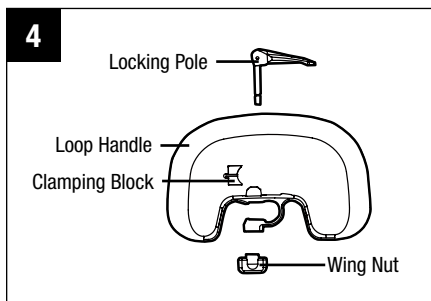
**⚠ WARNING:** Always wear gloves when mounting or replacing the guard. Be careful of the blade on the guard and protect your hands from being injured by the blade.

1. Loosen the two bolts in the guard with the supplied Allen key; remove and reserve the bolts and spring washers from the guard (Fig. 2).
2. Lift the trimmer head and face it downward; align the two mounting holes in the guard with the two assembly holes in the base of the shaft. Make sure that the internal surface of the guard faces towards the trimmer head (Fig. 3).
3. Use the supplied Allen key to lock the guard in place.



## MOUNTING AND ADJUSTING THE LOOP HANDLE

1. Loosen and remove the locking pole and wing nut from the loop handle (Fig. 4).
2. Push the loop handle onto the carbon-fiber shaft between the warning label and the threshold ring (Fig. 5).
3. Insert the clamping block into the handle slot (Fig. 6).

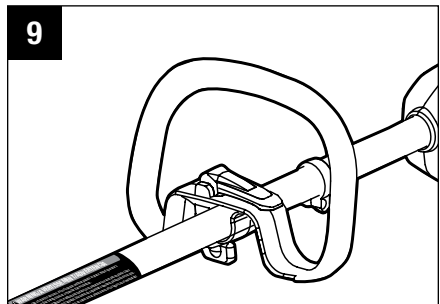
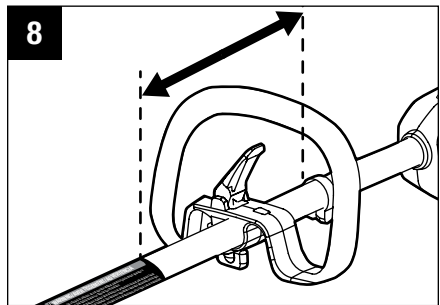
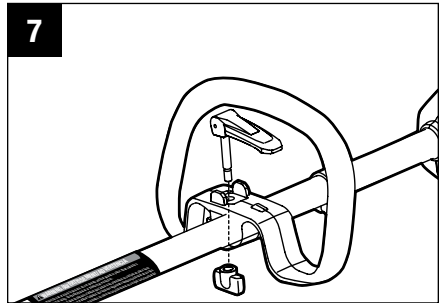


4. Mount the locking pole and pre-tighten the wing nut. Make sure that the loop handle is positioned upwards and points toward the top of the rear handle (Fig. 7).
5. Pull up the level of the locking pole so that you can easily move/rotate the loop handle to where you feel comfortable.

**NOTICE:** The loop handle should be only adjusted between the threshold ring and the warning label on the carbon-fiber shaft (Fig. 8).

6. Lock down the lever of the locking pole (Fig. 9).

**⚠ WARNING:** Do not use the tool without the loop handle securely attached.



## OPERATION

**⚠ WARNING:** Do not allow familiarity with this product to make you careless. Remember that a careless fraction of a second is sufficient to inflict serious injury.

**⚠ WARNING:** Always wear eye protection that is marked to comply with ANSI Z87.1. Failure to do so could result in objects being thrown into your eyes and other possible serious injuries.

**⚠ WARNING:** Do not use any attachments or accessories not recommended by the manufacturer of this product. The use of attachments or accessories not recommended can result in serious personal injury.

**⚠ WARNING:** To prevent serious personal injury, remove the power plug from the tool before servicing, cleaning, changing attachments or removing material from the unit.

## APPLICATION

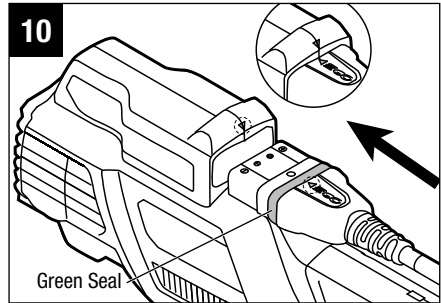
You may use this product for the purposes listed below:

- Trimming grass and weeds from around porches, fences, and decks
- Cutting grass that is difficult to reach with a normal lawn mower

## CONNECTING WITH/ DISCONNECTING FROM THE BATTERY

**NOTE:** Fully charge the battery pack before first use.

This string trimmer has a dedicated plug-in connection. Please use it with the EGO BAX1501 backpack battery or with EGO portable batteries via the backpack link.



1. Align the "▲" marks on the battery plug and the string trimmer's electric socket, then insert the plug into the string trimmer until the GREEN seal on the plug COMPLETELY disappears into the socket (Fig. 10).
2. To disconnect from the battery, pull the plug straight away from the socket.

## HOLDING AND USING THE STRING TRIMMER (Fig. 11)

**⚠ WARNING:** Dress properly to reduce the risk of injury when operating this tool. Do not wear loose clothing or jewelry. Wear eye and ear/hearing protection. Wear heavy-duty, long trousers, boots and gloves. Do not wear short trousers, sandals or go barefoot. Wear a face mask or dust mask in dusty locations.

Before operating, look around you to ensure a safe working area without other people or animals. Make sure that others are at least 100 ft. (30m) away. Clear the area to be cut before each use. Remove all objects, such as rocks, broken glass, nails, wire, or string that can be thrown or become entangled in the cutting attachment. Check that you have eye protection, proper clothing and balanced footing. There still may be risk to bystanders from thrown objects. Bystanders should be encouraged to wear eye protection. If they are approached, stop the motor and cutting attachment immediately.



## Before each use check for damaged/worn parts

Check the trimmer head, guard, and loop handle and replace any parts that are cracked, warped, bent, or damaged in any way.

The line-cutting blade on the edge of the guard can dull over time. It is recommended that you periodically sharpen it with a file or replace it with a new blade.

**⚠ WARNING:** Always wear gloves when mounting or replacing the guard or when sharpening or replacing the blade. Note the location of the blade on the guard and protect your hand from injury.

## Clean the trimmer after each use

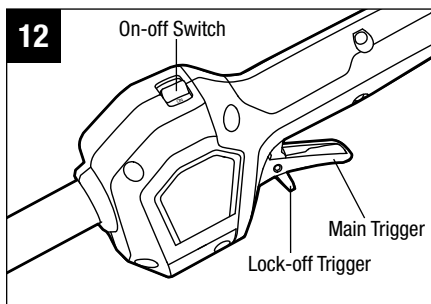
See the maintenance section for cleaning instruction.

**⚠ WARNING:** Never use water for cleaning your trimmer. Avoid using solvents when cleaning plastic parts. Most plastics are susceptible to damage from various types of commercial solvents. Use clean cloths to remove dirt, dust, oil, grease, etc.

## STARTING/STOPPING THE STRING TRIMMER

### To Start

1. Push the on-off switch to the "ON" position.
2. Move the lock-off trigger forwards and then press the main trigger. The string trimmer will start. The more you pull up the main trigger, the higher rotating speed the trimmer head is (Fig. 12).



### To Stop

1. Move the string trimmer away from the cutting area and release the main trigger to stop the tool.
2. Push the on-off switch to the "OFF" position to help to avoid accidental starting.

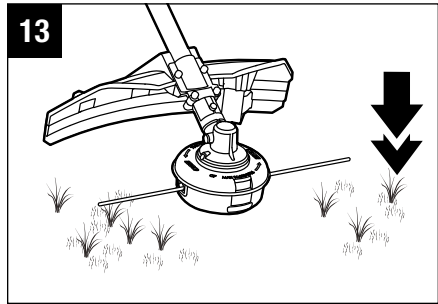
**⚠ WARNING:** Always remove the power plug from the string trimmer during work breaks and after finishing work.



**⚠ WARNING:** Make sure that the on-off switch is placed exactly in the "OFF" position before next use to avoid serious personal injury.

## ADJUSTING THE CUTTING LINE LENGTH

The trimmer head allows the operator to release more cutting line without stopping the motor. As line becomes frayed or worn, additional line can be released by lightly tapping the trimmer head on the ground while operating the trimmer (Fig.13).

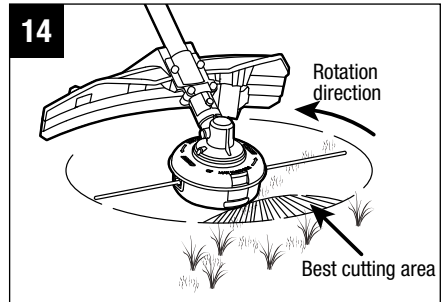


**⚠ WARNING:** Do not remove or alter the line-cutting blade assembly. Excessive line length will cause the motor to overheat and may result in serious personal injury.

For best results, tap the trimmer head on bare ground or hard soil. Always keep the trimming line fully extended. Line release becomes more difficult as the cutting line becomes shorter. Replace the line when necessary. Details please see section "**LINE REPLACEMENT**".

## Tips for best trimming results (Fig.14)

- The correct angle for the cutting attachment is parallel to the ground.
- Do not force the trimmer. Allow the very tip of the line to do the cutting (especially along walls). Cutting with more than the tip will reduce cutting efficiency and may overload the motor.
- The cutting height is determined by the distance of the cutting line from the lawn surface.
- Grass over 8 inches (200 mm) should be cut by working from top to the bottom in small increments to avoid premature line wear.



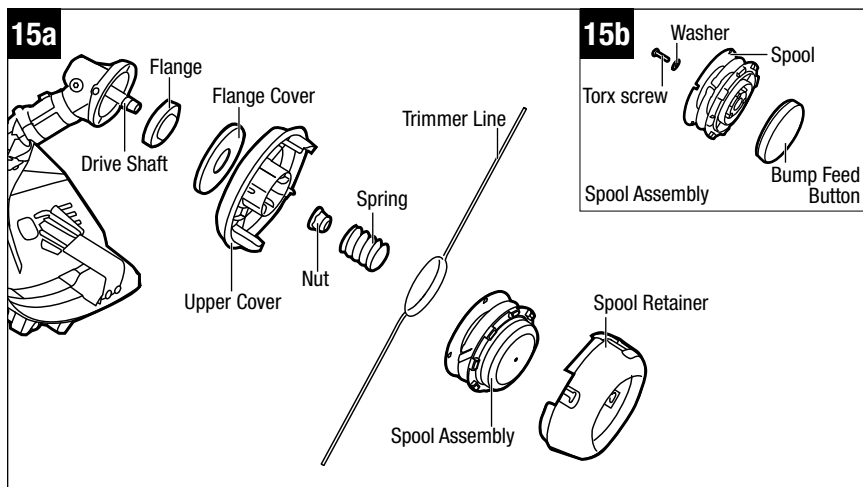
- Slowly move the trimmer into and out of the area being cut, maintaining the cutting head position at the desired cutting height. This movement can be either a forward-backward motion or a side-to-side motion. Cutting shorter lengths produces best results.
- Avoid trimming when grass and weeds are wet.
- Wire and picket fences can cause extra string wear or breakage. Stone and brick walls, curbs, and wood may wear cutting line rapidly.
- Avoid trees and shrubs. Tree bark, wood moldings, siding, and fence posts can easily be damaged by the cutting line.

## LINE REPLACEMENT

**NOTICE:** Always use the recommended nylon cutting line with a diameter that does not exceed 0.105 in. (2.7 mm). Using line other than that specified may cause the tool to overheat or become damaged.

**⚠ WARNING:** Never use metal-reinforced line, wire, rope, etc. These can break off and become dangerous projectiles.

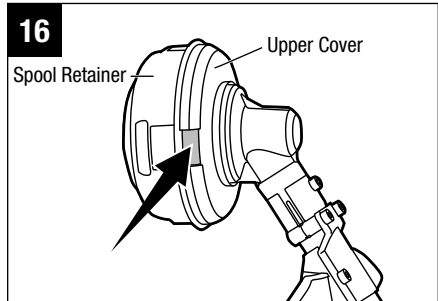
Trimmer head assembly is shown for reference (Fig. 15a & Fig. 15b).



1. Remove the power plug from the string trimmer.

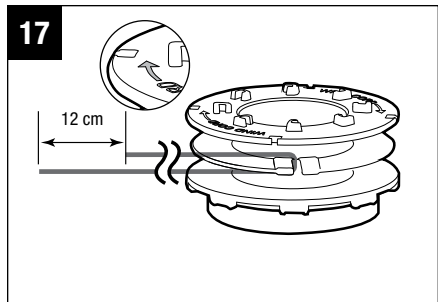
2. Press the release tabs inward to unlock them from the upper cover, and then pull out the spool retainer (Fig. 16).
3. Remove the spool assembly from the spool retainer. Use a clean cloth to clean the inner surface of the spool retainer and upper cover.

**NOTICE:** Always thoroughly clean the spool retainer and upper cover before reassembling the trimmer head.

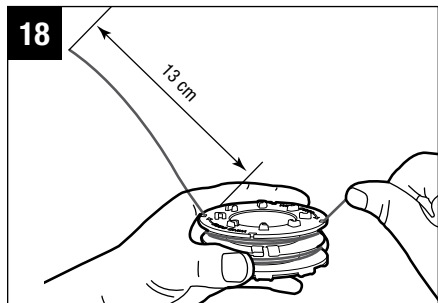


4. Check the spool retainer, spool assembly, and upper cover for wear. The spool assembly includes spool and bump feed button as well as the Torx screw and washer for locking. Replace any worn part for safe operation.
5. Take approximately 23 ft (7m) of not more than 0.105 in. (2.7 mm) diameter cutting line. Fold the line in half and then adjust it so that one end is 4.7 in. (12cm) longer than the other.
6. Hook the folded end of the cutting line onto either of the slots in the spool assembly and then wind it, in two even and tight layers, in the direction indicated by the arrow marked on the spool (Fig. 17).

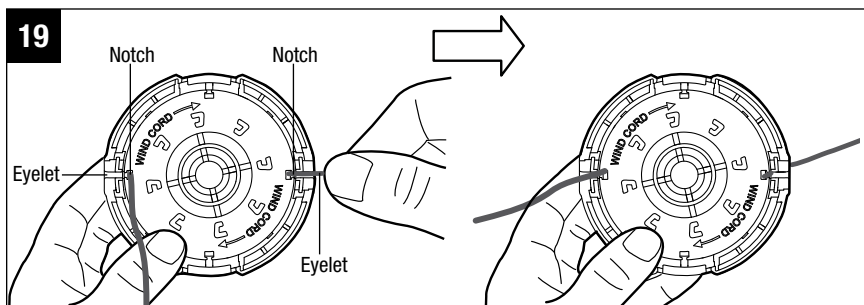
**NOTICE:** Failure to wind the line in the direction indicated will cause the trimmer head to operate incorrectly.



7. Place the ends of the line in two opposite notches in the spool assembly, with approximately 5 in. (13 cm) protruding (Fig. 18).

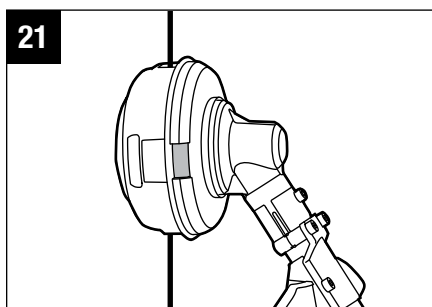
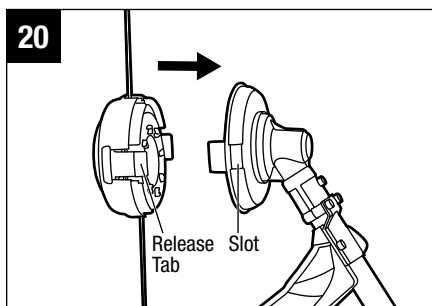


8. Align the notches of the spool assembly from which the cutting lines protrude with the eyelets in the spool retainer, and position the spool assembly into the retainer with cutting line secured in the eyelets (Fig. 19).



9. Align the release tabs on the spool retainer with the slots in the upper cover to mount the spool retainer onto the upper cover (Fig. 20). Make sure that the release tabs are against the upper-cover inside wall and are exactly located in the slots on both sides (Fig. 21).

**⚠ WARNING:** Make sure that the release tabs on the spool retainer snap into place, otherwise the spool assembly will come out during operation, which may result in serious personal injury.



## MAINTENANCE

**⚠ WARNING:** When servicing, use only identical replacement parts. Use of any other parts may create a hazard or cause product damage. To ensure safety and reliability, all repairs should be performed by an EGO authorized dealer/distributor.

**⚠ WARNING:** To avoid serious personal injury, always remove the power cord from the product when cleaning or performing any maintenance.

All string trimmer service, other than the items listed in these maintenance instructions, should be performed by an EGO authorized dealer/distributor.

### GENERAL MAINTENANCE

Avoid using solvents when cleaning plastic parts. Most plastics are susceptible to damage from various types of commercial solvents and may be damaged by their use. Use a clean cloth to remove dirt, dust, oil, grease, etc.

**⚠ WARNING:** Do not at any time let brake fluids, gasoline, petroleum-based products, penetrating oils, etc., come in contact with plastic parts. Chemicals can damage, weaken, or destroy plastic, which may result in serious personal injury.

**⚠ WARNING:** When cleaning the tool, DO NOT immerse it water or other liquids.

### CLEANING

- Remove the power plug from the string trimmer.
- After each use, clean the debris, clogged soils, grass on the blade or the guard or the grass that may have wrapped itself around the drive shaft or trimmer head with a soft brush.
- Wipe the tool surface with a clean cloth moistened with a mild soap solution.
- Use a small brush or a small vacuum cleaner to clean the air vents on the rear housing. Keep the air vents free of obstructions.
- Do not use any strong detergents on the plastic housing or the handle. They can be damaged by certain aromatic oils, such as pine and lemon, and by solvents such as kerosene. Moisture can also cause a shock hazard. Wipe off any moisture with a soft dry cloth.

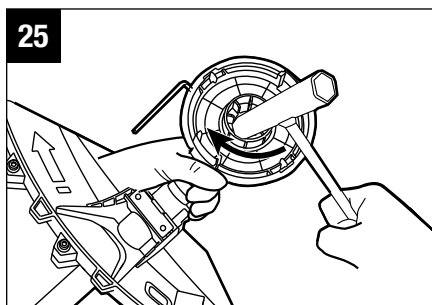
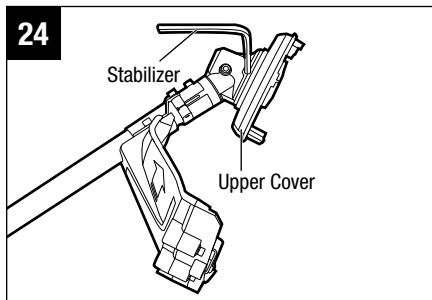
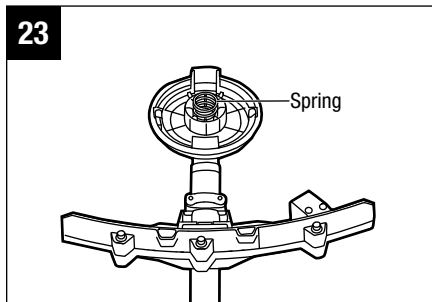
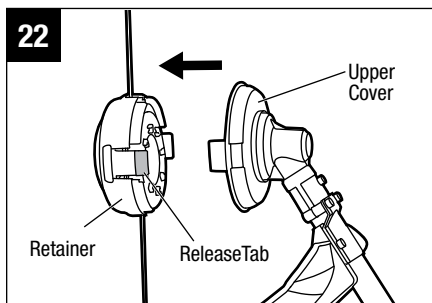
## TRIMMER HEAD REPLACEMENT

**⚠ WARNING:** If the head loosens after it is fixed in position, replace it immediately. Never use a trimmer with a loose cutting attachment. Replace a cracked, damaged, or worn-out cutting head immediately, even if damage is limited to superficial cracks. Such attachments may shatter at high speed and cause serious injury.

Before replacement, refer to Fig. 15a and Fig. 15b to become familiar with the trimmer head assembly.

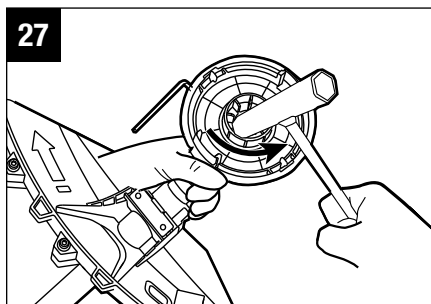
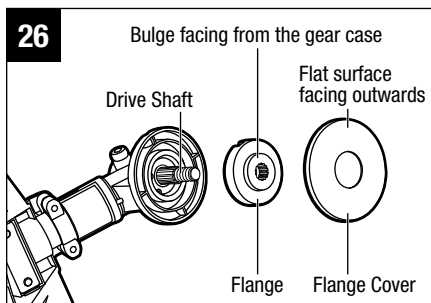
### Remove the trimmer head

1. Remove the power plug from the string trimmer.
2. Press the release tabs inward to unlock them from the upper cover, and then pull out the spool retainer (Fig. 22).
3. Remove the spool assembly from the spool retainer.
4. Remove the spring from the drive shaft (Fig. 23).
5. Rotate the upper cover to align the slot in the flange with the shaft-locking hole in the gear case and insert the provided Allen key into the aligned holes to act as a stabilizer (Fig. 24).
6. Wear gloves. Use the multi-function wrench provided to loosen the nut inside **CLOCKWISE** (Fig. 25). Remove the nut and then remove the upper cover. Save the flange and flange cover on the drive shaft for reassembly.



## Install the new trimmer head

1. Before installing the new trimmer head, make sure that the flange is located on the drive shaft with the bulge facing away from the gear case and that the flange cover is closely against the flange with its flat surface facing outward (Fig. 26).
2. Take out the new trimmer head and open it. Mount the upper cover onto the shaft and manually pre-tighten it with the nut.
3. Rotate the upper cover to align the slot in the flange with the shaft-locking hole in the gear case and insert the provided Allen key into the aligned holes to act as a stabilizer (see Fig. 24).



4. Wear gloves. Use the multi-function wrench provided to securely tighten the nut inside COUNTERCLOCKWISE (Fig. 27).
5. Mount the spring onto the drive shaft (see Fig. 23).
6. Wind the trimmer line onto the spool assembly and mount the spool assembly into the spool retainer, refer to "**LINE REPLACEMENT**" section.

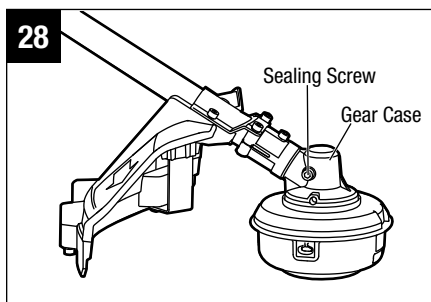
## SHARPEN THE LINE-CUTTING BLADE

**⚠ WARNING:** Always protect your hands by wearing heavy gloves when performing any maintenance on the line-cutting blade.

1. Remove the line-cutting blade from the guard accessory.
2. Secure the blade in a vise.
3. Wear proper eye protection and gloves and be careful not to cut yourself.
4. Carefully file the cutting edges of the blade with a fine-tooth file or sharpening stone, being careful to maintain the original cutting-edge angle.
5. Replace the blade onto the guard and secure it in place with the two screws.

## LUBRICATING THE DRIVE GEAR

For best operation and longer lifetime, lubricate the string trimmer drive gear with a special grease as described below after every 50 hours operation. Remove the sealing screw on the gear case with the provided Allen key and apply the grease into the oil hole up to 0.011lb (5g) (Fig. 28). **DO NOT FULLY FILL THE GEAR CASE WITH THE GREASE.**



The grease should meet the following requirements:

- NLGI Grade Penetration: NLGI-1
- Thickener Type: Ester
- Recommended Operating Temperature Range: -40°F to 356°F (-40°C to 180°C)
- Other than above, the grease should also have excellent low-temperature startup, EP, mechanical shearing, abrasion resistance and oxidative stability properties.

## TRANSPORTING AND STORING

- Clean the tool thoroughly before storing.
- Store the tool indoors, in a dry place that is inaccessible to children.
- Keep away from corrosive agents such as garden chemicals and deicing salts.



# TROUBLESHOOTING

PROBLEM	CAUSE	SOLUTION
Will not start/stops working	<ul style="list-style-type: none"> <li>■ The power plug is not connected into place.</li> <li>■ The EGO portable battery pack or the EGO backpack battery is depleted.</li> <li>■ The battery or the string trimmer is hot.</li> <li>■ The string trimmer motor is overloaded.</li> </ul>	<ul style="list-style-type: none"> <li>■ Reinsert the power cord plug, ensuring that the GREEN seal on the plug is COMPLETELY disappearing into the socket.</li> <li>■ Depending on battery type, choose the appropriate charger to charge the battery.</li> <li>■ Disconnect the battery from the string trimmer and allow the battery or the string trimmer to cool until its temperature drops below 152°F (67°C).</li> <li>■ The motor will recover when the load is removed. For continuous work, decrease the load on the string trimmer, avoid too long or oversize cutting line or cutting on the heavy/woody shrubs.</li> </ul>
Excessive vibration or noise.	<ul style="list-style-type: none"> <li>■ The grease in the gear case is nearly run out.</li> <li>■ The cutting line is unbalanced.</li> </ul>	<ul style="list-style-type: none"> <li>■ Lubricate the drive gears in the gear case, refer to "<b>LUBRICATING THE DRIVE GEAR</b>" section in this manual.</li> <li>■ Lightly tap the trimmer head on the ground while operating with the trimmer head. If necessary, tap several times.</li> </ul>

PROBLEM	CAUSE	SOLUTION
<p>When trimming, the trimmer head does not advance line.</p>	<ul style="list-style-type: none"> <li>■ The drive shaft or trimmer head is bound with grass.</li> <li>■ There is not enough line on the spool.</li> <li>■ The trimmer line is tangled in the trimmer head.</li> <li>■ The trimmer line is too short.</li> </ul>	<ul style="list-style-type: none"> <li>■ Stop the string trimmer, disconnect the power cord and then clean the drive shaft or the trimmer head thoroughly.</li> <li>■ Disconnect the power cord and replace with new cutting line; refer to "<b>LINE REPLACEMENT</b>" section in this manual.</li> <li>■ Disconnect the power cord and reload the cutting line; refer to "<b>LINE REPLACEMENT</b>" section in this manual.</li> <li>■ Disconnect the power cord and pull the lines manually while alternately pressing down and releasing the trimmer head.</li> </ul>
<p>When trimming, grass wraps around the trimmer head.</p>	<ul style="list-style-type: none"> <li>■ Cutting tall grass at ground level.</li> </ul>	<ul style="list-style-type: none"> <li>■ Cut tall grass from the top down, removing no more than 8 inches in each pass to prevent wrapping.</li> </ul>
<p>When trimming, the line-cutting blade on the guard cannot cut the line.</p>	<ul style="list-style-type: none"> <li>■ The line-cutting blade on the guard has become dull.</li> </ul>	<ul style="list-style-type: none"> <li>■ Sharpen the line-cutting blade with a file or replace with a new one.</li> </ul>
<p>Cracks on the trimmer head or the spool retainer comes loose with upper cover.</p>	<ul style="list-style-type: none"> <li>■ The trimmer head is worn out.</li> </ul>	<ul style="list-style-type: none"> <li>■ Before further use, replace with a new trimmer head; refer to "<b>TRIMMER HEAD REPLACEMENT</b>" section in this manual.</li> </ul>

# WARRANTY

## EGO WARRANTY POLICY

5-year limited warranty on EGO POWER+ outdoor power equipment and portable power for personal, household use.

3-year limited warranty on EGO POWER+ System battery packs and chargers for personal, household use.

2 year/1year limited warranty on EGO outdoor power equipment, portable power, battery packs, and chargers for professional and commercial use.

The detailed warranty periods by products can be found online at

<http://egopowerplus.com/pages/warranty-policy>.

**Please contact EGO Customer Service Toll-Free at 1-855-EGO-5656** any time you have questions or warranty claims.

## LIMITED SERVICE WARRANTY

EGO products are warranted against defects in material or workmanship from the date of original retail purchase for the applicable warranty period. Defective product will receive free repair.

- a) This warranty applies only to the original purchaser from an authorized EGO retailer and may not be transferred. Authorized EGO retailers are identified online at <http://egopowerplus.com/pages/warranty-policy>.
- b) The warranty period for reconditioned or factory certified products used for residential purpose is 1 year, for industrial, professional or commercial purpose is 90 days.
- c) The warranty period for routine maintenance parts, such as, but not limited to, blades, trimmer heads, chain bars, saw chains, belts, scraper bars, blower nozzles, and all other EGO accessories is 90 days for residential purpose, 30 days for industrial, professional or commercial purpose. These parts are covered for 90/30 days from manufacture defects in normal working conditions.
- d) This warranty is void if the product has been used for rental purpose.
- e) This warranty does not cover the damage resulting from modification, alteration or unauthorized repair.



- f) This warranty only covers defects arising under normal usage and does not cover any malfunction, failure or defect resulting from misuse, abuse (including overloading of the product beyond capacity and immersion in water or other liquid), accidents, neglect or lack of proper installation, and improper maintenance or storage.
- g) This warranty does not cover normal deterioration of the exterior finish, including but not limited to scratches, dents, paint chips, or to any corrosion or discoloring by heat, abrasive and chemical cleaners.

## HOW TO OBTAIN SERVICE

For warranty service, please contact EGO customer service toll-free at **1-855-EGO-5656**. When requesting warranty service, you must present the original dated sales receipt. An authorized service center will be selected to repair the product according to the stated warranty terms. When bringing your product to the authorized service center, there may be a small deposit that will be required when dropping off your tool. This deposit is refundable when the repair service is deemed to be covered under warranty.

## ADDITIONAL LIMITATIONS

To the extent permitted by applicable law, all implied warranties, including warranties of MERCHANTABILITY or FITNESS FOR A PARTICULAR PURPOSE, are disclaimed. Any implied warranties, including warranties of merchantability or fitness for a particular purpose, that cannot be disclaimed under state law are limited to the applicable warranty period defined at the beginning of this article.

Chervon North America is not responsible for direct, indirect, incidental or consequential damages.

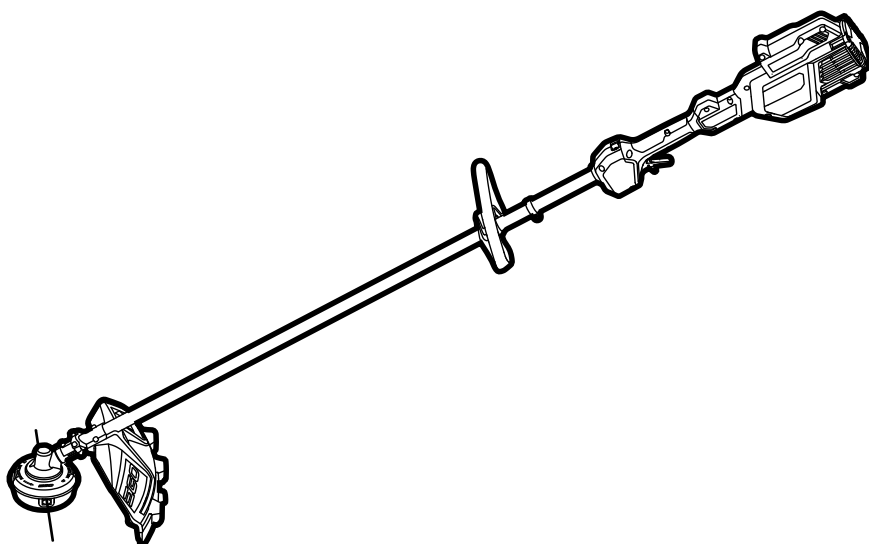
Some states do not allow limitations on how long an implied warranty lasts and/or do not allow the exclusion or limitation of incidental or consequential damages, so the above limitations may not apply to you.

This warranty gives you specific legal rights, and you may also have other rights which vary from state to state.

For customer service contact us toll-free at: **1-855-EGO-5656** or **EGOPOWERPLUS.COM**. EGO Customer Service, 769 SEWARD AVE NW / Suite 102 Grand Rapids, MI 49504

# EGO™

POWER<sup>+</sup> STRING TRIMMER



GUIDE D'UTILISATION

## TAILLE-BORDURE DE 38 CM À MOTEUR ARRIÈRE AU LITH- IUM-ION DE 56 V

NUMÉRO DE MODÈLE  
STX3800

**⚠ AVERTISSEMENT :** Afin de réduire les risques de blessure, l'utilisateur doit lire et comprendre le guide d'utilisation avant d'utiliser ce produit. Conservez le présent guide afin de pouvoir le consulter ultérieurement.

## **TABLE DES MATIÈRES**

Symboles de sécurité .....	36
Consignes de sécurité .....	37-42
Introduction .....	43
Caractéristiques techniques .....	44
Liste des pièces contenues dans l'emballage .....	45
Description .....	46-47
Assemblage .....	48-51
Fonctionnement .....	52-59
Entretien .....	60-64
Dépannage .....	65-66
Garantie .....	67-68

# LISEZ TOUTES LES INSTRUCTIONS!



LIRE ET COMPRENDRE  
LE GUIDE D'UTILISATION

**⚠ AVERTISSEMENT :** La poussière créée pendant le ponçage, le sciage, le polissage, le perçage et d'autres activités mécaniques liées à la construction peut contenir des produits chimiques reconnus par l'État de la Californie comme étant la cause de cancer, d'anomalies congénitales et d'autres problèmes liés aux fonctions reproductrices. Voici des exemples de ces produits chimiques :

- Du plomb provenant de peintures à base de plomb
- De la silice cristalline provenant de la brique, du ciment et d'autres matériaux de maçonnerie et
- De l'arsenic et du chrome contenus dans le bois d'œuvre traité avec des produits chimiques.

Les risques liés à l'exposition à ces produits varient en fonction de la fréquence à laquelle vous effectuez ce type de travail. Pour réduire votre exposition à ces produits chimiques, travaillez dans une zone bien ventilée et portez l'équipement de sécurité approuvé, comme les masques antipoussières conçus pour ne pas laisser passer les particules microscopiques.

## SYMBOLES DE SÉCURITÉ

L'objectif des symboles de sécurité est d'attirer votre attention sur les dangers potentiels. Vous devez examiner attentivement et bien comprendre les symboles de sécurité et les explications qui les accompagnent. Les symboles d'avertissement en tant que tels n'éliminent pas le danger. Les consignes et les avertissements qui y sont associés ne remplacent en aucun cas les mesures préventives adéquates.

**⚠ AVERTISSEMENT** : Assurez-vous de lire et de comprendre toutes les consignes de sécurité présentées dans le guide d'utilisation, notamment tous les symboles d'alerte de sécurité indiqués par « **DANGER** », « **AVERTISSEMENT** » et « **MISE EN GARDE** », avant d'utiliser cet outil. Le non-respect des consignes de sécurité ci-dessous peut occasionner une décharge électrique, un incendie ou des blessures graves.

### SIGNIFICATION DES SYMBOLES

**⚠ SYMBOLE D'ALERTE DE SÉCURITÉ** : indique un **DANGER**, un **AVERTISSEMENT** ou une **MISE EN GARDE**. Il peut être associé à d'autres symboles ou pictogrammes.



**⚠ AVERTISSEMENT!** L'utilisation de tout outil électrique peut entraîner la projection de corps étrangers dans les yeux et ainsi causer des lésions oculaires graves. Avant d'utiliser un outil électrique, veillez à toujours porter des lunettes de sécurité couvrantes ou à écrans latéraux, ou un masque complet au besoin. Nous recommandons le port d'un masque de sécurité panoramique par-dessus les lunettes ou de lunettes de sécurité standard avec écrans latéraux. Portez toujours des lunettes de sécurité conformes à la norme ANSI Z87.1.



# CONSIGNES DE SÉCURITÉ

Vous trouverez ci-dessous les symboles de sécurité qui peuvent être présents sur le produit, accompagnés de leur description. Vous devez lire, comprendre et suivre toutes les instructions présentes sur l'appareil avant de commencer à l'assembler ou à le manipuler.

	Alerte de sécurité	Indique un risque de blessure.
	Assurez-vous de lire et de comprendre le guide d'utilisation	Afin de réduire les risques de blessure, l'utilisateur doit lire et comprendre le guide d'utilisation avant d'utiliser ce produit.
	Portez des lunettes de sécurité	Portez toujours des lunettes de sécurité ou des lunettes protectrices pourvues d'écrans latéraux conformes à la norme ANSI Z87.1 lorsque vous utilisez cet article.
	Symboles de recyclage	Le produit fonctionne à l'aide de piles au lithium-ion (Li-ion). La législation locale, provinciale ou fédérale peut interdire la mise au rebut des piles dans les ordures ménagères. Consultez l'organisme local de gestion des déchets au sujet des options de mise au rebut ou de recyclage.
IPX5	Niveau de protection d'indice	Protection contre les projections d'eau
V	Volt	Tension
	Courant continu	Type de courant ou caractéristique de courant
$n_0$	Vitesse sans charge	Vitesse de rotation à vide
RPM	Tours par minute	Vitesse de rotation
cm	Centimètre	Longueur ou taille
mm	Millimètre	Longueur ou taille
in.	Pouce	Longueur ou taille
kg	Kilogramme	Poids
lb	Livre	Poids

## ADVERTENCIAS DE SEGURIDAD GENERAL EN EL MANEJO DE HERRAMIENTAS ELÉCTRICAS QUE FUNCIONAN CON BATERÍAS

**⚠ AVERTISSEMENT!** Lisez tous les avertissements, instructions, illustrations et spécifications fournis avec cet outil électrique. Le non-respect des consignes de sécurité ci-dessous peut occasionner un choc électrique, un incendie ou des blessures graves.

Conservez tous les avertissements et toutes les instructions afin de pouvoir les consulter ultérieurement.

### SÉCURITÉ DE L'AIRE DE TRAVAIL

- **Maintenez l'aire de travail propre et bien éclairée.** Les aires de travail sombres et encombrées sont propices aux accidents.
- **N'utilisez pas d'outils électriques dans un milieu explosif, par exemple où il y a présence de liquides, de vapeurs ou de poussières inflammables.** Les outils électriques produisent des étincelles susceptibles d'enflammer ces poussières ou ces vapeurs.
- **Gardez les enfants et les autres personnes à l'écart lorsque vous utilisez un outil électrique.** Une distraction peut vous faire perdre la maîtrise de l'outil.
- **Évitez les environnements dangereux.** N'utilisez pas l'outil dans un endroit mouillé ou humide.

### SÉCURITÉ PERSONNELLE

- **Soyez vigilant, prêtez attention à ce que vous faites et usez de votre jugement lorsque vous utilisez un outil électrique. N'utilisez pas un outil électrique lorsque vous êtes fatigué ou sous l'effet de drogues, d'alcool ou de médicaments.** Un moment d'inattention pendant que vous utilisez des outils électriques peut occasionner des blessures graves.
- **Utilisez toujours un équipement de protection individuelle.** Le port d'équipement de protection individuelle, comme des lunettes de sécurité, un masque antipoussières, des chaussures de sécurité antidérapantes, un casque de protection ou des protecteurs auditifs, lorsque les conditions l'exigent, réduit les risques de blessures.

- **Prenez des mesures afin d'éviter que l'outil se mette en marche accidentellement. Assurez-vous que l'interrupteur est sur la position d'arrêt avant de brancher l'outil sur un bloc-piles, de le ramasser ou de le transporter.** Transporter les outils électriques avec le doigt sur l'interrupteur ou brancher les outils lorsque l'interrupteur est en position de marche augmente les risques d'accident.
- **Retirez toutes les clés de réglage de l'outil électrique avant de le mettre en marche.** Une clé de réglage oubliée sur une pièce mobile de l'outil électrique peut entraîner des blessures.
- **Ne vous étirez pas pour étendre votre portée.** Gardez une posture sécuritaire et un bon équilibre en tout temps. Cela permet de mieux contrôler l'outil électrique dans des situations inattendues.
- **Habillez-vous convenablement. Ne portez pas de vêtements amples ni de bijoux. Gardez vos cheveux et vos vêtements loin des pièces mobiles.** Les vêtements amples, les bijoux et les cheveux longs risquent de se prendre dans les pièces en mouvement.
- **Si un dispositif permet de raccorder un dépoussiéreur, assurez-vous que celui-ci est branché et utilisé de manière appropriée.** L'emploi d'un dépoussiéreur contribue à réduire les dangers liés à la poussière.
- **Même si vous connaissez parfaitement ces outils parce que vous les utilisez souvent, soyez vigilant et respectez les principes de sécurité.** Il suffit d'être négligent une fraction de seconde pour se blesser gravement.

## UTILISATION ET ENTRETIEN DE L'OUTIL ÉLECTRIQUE

- **Ne forcez pas l'outil électrique. Utilisez l'outil électrique approprié à la tâche que vous souhaitez accomplir.** L'utilisation de l'outil électrique approprié permet d'obtenir de meilleurs résultats, de façon plus sécuritaire, selon le régime de fonctionnement prévu.
- **N'utilisez pas l'outil électrique si l'interrupteur ne fonctionne pas.** Tout outil électrique qui ne peut être commandé au moyen de l'interrupteur est dangereux et doit être réparé.
- **Retirez, si possible, le bloc-piles de l'outil électrique ou actionnez tout dispositif de désactivation du bloc-piles avant de dégager un objet coincé, d'effectuer des réglages, de changer d'accessoires ou de nettoyer ou de ranger les outils électriques.** Ces mesures de sécurité préventives réduisent les risques de mise en marche accidentelle de l'outil électrique.

- **Rangez l'outil électrique à l'arrêt hors de la portée des enfants et n'autorisez pas une personne ne sachant pas s'en servir ou n'ayant pas lu ces instructions à l'utiliser.** Les outils électriques sont dangereux s'ils se retrouvent entre les mains d'utilisateurs qui ne savent pas s'en servir.
- **Entretenez les outils électriques et les accessoires. Vérifiez les pièces mobiles pour vous assurer qu'elles ne sont pas désalignées, enrayées, brisées, ou dans un état qui pourrait nuire à leur fonctionnement.** Si l'outil électrique est endommagé, faites-le réparer avant de l'utiliser. De nombreux accidents sont provoqués par des outils électriques et des accessoires mal entretenus.
- **Gardez vos outils tranchants affûtés et propres.** Des outils tranchants bien entretenus et dont les lames sont affûtées risquent moins de se bloquer et sont plus faciles à maîtriser.
- **Utilisez l'outil électrique, les accessoires, les embouts ou autres conformément aux instructions, en tenant compte des conditions de travail et du travail à effectuer.** L'utilisation de l'outil électrique à des fins autres que celles auxquelles il est destiné pourrait entraîner une situation dangereuse.
- **Les poignées et autres surfaces de préhension doivent toujours être sèches, propres et exemptes d'huile ou de graisse.** Les poignées et autres surfaces de préhension glissantes peuvent entraîner une manipulation non sécuritaire ou une perte de contrôle de l'outil.
- **Éloignez les câbles de la zone de travail de l'outil.** Durant l'utilisation, des câbles pourraient être dissimulés et être accidentellement endommagés par l'outil.

## UTILISATION ET ENTRETIEN DU BLOC-PILE

- **Rechargez uniquement le bloc-piles à l'aide du chargeur approuvé par le fabricant.** Un chargeur conçu pour un type de bloc-piles peut causer un incendie s'il est utilisé avec un autre bloc-piles. Utilisez l'article uniquement avec les blocs-piles et les chargeurs indiqués ci-dessous.

BLOC-PILES	CHARGEUR
BAX1501	CHX5500

- **Utilisez les outils électriques uniquement avec les blocs-piles désignés.** L'utilisation de tout autre bloc-piles peut constituer un risque de blessure et d'incendie.

- **Lorsque vous n'utilisez pas le bloc-piles, conservez-le à l'écart d'autres objets métalliques, comme des trombones, des pièces de monnaie, des clés, des clous, des vis et d'autres petits objets métalliques qui peuvent connecter une borne à une autre.** Un court-circuit entre les bornes du bloc-piles peut occasionner des brûlures ou un incendie.
- **Dans de mauvaises conditions, un liquide peut être éjecté du bloc-piles; évitez tout contact avec celui-ci. En cas de contact accidentel, rincez à grande eau. Si vos yeux entrent en contact avec ce liquide, consultez un médecin.** Le liquide provenant des piles peut causer de l'irritation ou des brûlures.
- **N'utilisez pas un bloc-piles ou un outil endommagé ou modifié.** Les blocs-piles modifiés ou endommagés peuvent fonctionner de façon imprévisible et présenter un risque d'incendie, d'explosion ou de blessures.
- **N'exposez pas un bloc-piles ou un outil à un feu ou à une température excessive.** L'exposition au feu ou à une température supérieure à 100 °C (212 °F) peut provoquer une explosion.
- **Suivez toutes les instructions pour le chargement et ne chargez pas le bloc-piles ou l'outil en dehors de la plage de température précisée dans les instructions.** Une recharge inadéquate ou effectuée à des températures en dehors de la plage précisée peut endommager le bloc-piles et augmenter le risque d'incendie.

## ENTRETIEN

- **Demandez à un technicien qualifié qui utilise seulement des pièces de rechange identiques aux pièces d'origine d'effectuer l'entretien de votre outil électrique.** Vous vous assurerez ainsi que l'outil électrique demeure sécuritaire.
- **Ne réparez jamais un bloc-piles endommagé.** Seuls le fabricant et les fournisseurs de services autorisés peuvent effectuer la réparation d'un bloc-piles.

## CONSIGNES DE SÉCURITÉ POUR LE TAILLE-BORDURE

- **Lorsque vous remplacez le fil de coupe, n'utilisez pas un fil de nylon de plus de 2,7 mm (0.105 po).** L'utilisation d'un fil dont le calibre est supérieur à celui recommandé par le fabricant augmente la charge imposée au moteur et diminue la vitesse de fonctionnement. De plus, cela entraîne une surchauffe et peut endommager le taille-bordure.
- **Afin de réduire les risques de blessure grave, n'utilisez jamais de fil**

**métallique, de fil renforcé de métal ni d'autre matériau à la place du fil de coupe en nylon.** Des morceaux de métal pourraient être projetés à grande vitesse vers vous ou vers les personnes à proximité.

- **Remplacez immédiatement la tête de coupe si elle est fissurée, endommagée ou usée, même si elle ne présente que des fissures superficielles.** Ces pièces peuvent se briser à haute vitesse et causer des blessures graves, voire mortelles.

## **CONSIGNES DE SÉCURITÉ IMPORTANTES**

- **Si l'outil électrique venait à vibrer de manière anormale ou s'il devenait bruyant, arrêtez le moteur et trouvez immédiatement la cause des vibrations.** Les sons anormaux indiquent généralement un problème.
- **Assurez-vous que tous les protecteurs et autres dispositifs de sécurité sont fixés correctement et de façon sécuritaire avant d'utiliser cet article. N'utilisez pas l'appareil si des protecteurs ne sont pas en place.**
- **Ne rechargez pas le bloc-piles sous la pluie ni dans un endroit mouillé.**
- **Ne jetez pas le bloc-piles au feu.** Les cellules pourraient exploser. Consultez la réglementation locale pour connaître les instructions de mise au rebut.
- **N'ouvrez pas et n'abîmez pas le bloc-piles.** L'électrolyte qu'il contient est corrosif et peut causer des lésions oculaires ou cutanées. Il peut être toxique s'il est ingéré.
- **Les outils munis d'un bloc-piles n'ont pas besoin d'être branchés sur une prise de courant. Par conséquent, ils sont toujours prêts à l'emploi.** Gardez à l'esprit qu'il existe des dangers potentiels même lorsque l'outil ne fonctionne pas. Soyez prudents lorsque vous effectuez l'entretien ou des réparations.
- **Ne nettoyez pas le taille-bordure avec un jet d'eau, car de l'eau pourrait s'infiltrer dans le moteur et les connexions électriques.**
- **S'il se produit une situation qui ne Fig. pas dans le présent manuel, faites preuve de prudence et de jugement. Communiquez avec le centre de service à la clientèle d'EGO pour obtenir de l'aide.**
- **CONSERVEZ CES INSTRUCTIONS.** Consultez-les régulièrement et utilisez-les pour expliquer le fonctionnement de l'outil à d'autres personnes qui l'utiliseraient. Si vous prêtez cet outil à une personne, prêtez-lui également ces instructions afin de prévenir un usage inapproprié et des blessures potentielles.

**CONSERVEZ CES INSTRUCTIONS!**

## INTRODUCTION

Nous vous félicitons d'avoir choisi ce EGO POWER+ au lithium-ion de 56 V. Cet outil a été conçu et fabriqué afin de vous offrir la meilleure fiabilité et le meilleur rendement possible.

Si vous éprouvez un problème que vous n'arrivez pas à régler facilement, veuillez communiquer avec le centre de service à la clientèle d'EGO au 1-855-EGO-5656.


Le présent guide contient des renseignements importants pour assembler, utiliser et entretenir le taille-bordure en toute sécurité. Lisez-le soigneusement avant d'utiliser le taille-bordure.

Conservez ce guide à portée de main afin de pouvoir le consulter à tout moment.

NUMÉRO DE SÉRIE \_\_\_\_\_ DATE D'ACHAT \_\_\_\_\_

NOUS VOUS RECOMMANDONS DE NOTER LE NUMÉRO DE SÉRIE ET LA DATE D'ACHAT ET DE LES CONSERVER EN LIEU SÛR AFIN DE POUVOIR LES CONSULTER ULTÉRIEUREMENT.

## SPECIFICATIONS

Tension	56 V 
Vitesse à vide ( $n_0$ )	Jusqu'à 5 800 tr/min
Mécanisme de coupe	Tête du taille-bordure à alimentation par choc
Type de fil de coupe	Fil de nylon torsadé de 2,4 mm (0.095 po) à 2,7 mm (0.105 po)
Largeur de coupe	38,1 cm (15.0 po)
Température de fonctionnement	0 °C à 40 °C (32 °F à 104 °F)
Température de rangement	-20 °C à 70 °C (-4 °F à 158 °F)
Poids net (protecteur inclus)	5,8 kg (12.79 lb)

### Accessoires recommandés

NOM DE PIÈCE	NUMÉRO DE MODÈLE
Fil de coupe (Fil torsadé de 2,4 mm (0.095 po))	AL2415S/AL2450S/AL2420P
Tête du taille-bordure	AH3800
Bobine du taille-bordure	AS3800
Bouton de la tête du taille-bordure à alimentation par choc	ABT3800



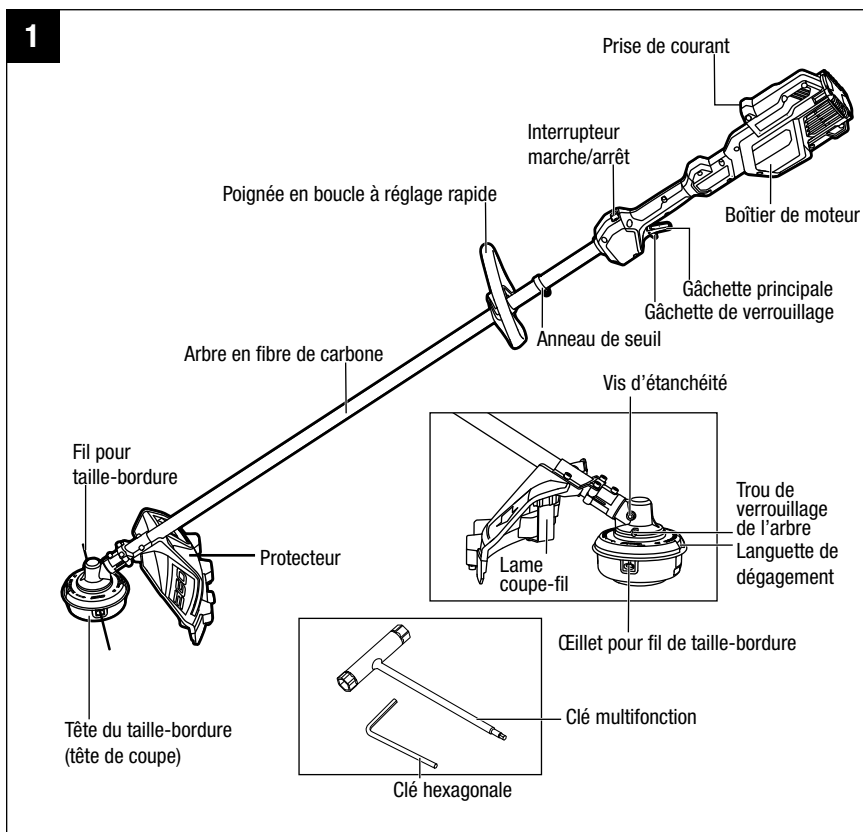
## LISTE DES PIÈCES CONTENUES DANS L'EMBALLAGE

NOM DE PIÈCE	QUANTITÉ
Taille-bordure	1
Protecteur	1
Poignée en boucle à réglage rapide	1
Clé hexagonale	1
Clé multifonction	1
Guide d'utilisation	1

# DESCRIPCIÓN

## FAMILIARISEZ-VOUS AVEC LE TAILLE-BORDURE (Fig. 1)

Pour utiliser ce produit en toute sécurité, vous devez comprendre les renseignements figurant sur le produit et dans le présent guide d'utilisation et connaître le projet que vous entreprenez. Avant d'utiliser ce produit, familiarisez-vous avec toutes les caractéristiques de fonctionnement et consignes de sécurité.



**⚠ AVERTISSEMENT :** N'utilisez jamais l'outil si le protecteur n'est pas fixé fermement. Le protecteur doit toujours être installé sur l'outil pour protéger l'utilisateur.

## **POIGNÉE EN BOUCLE À RÉGLAGE RAPIDE**

Permet de contrôler facilement la taille-bordure pendant la coupe.

## **ANNEAU DE SEUIL**

Limite la position de fixation de la poignée en boucle.

## **PROTECTEUR**

Réduit les risques de blessure causée par la projection d'objets quelconques vers l'utilisateur et empêche tout contact avec le dispositif de coupe.

## **LAME COUPE-FIL**

Lame en acier située sur le protecteur qui permet de garder le fil de coupe à la longueur appropriée.

## **TÊTE DU TAILLE-BORDURE (TÊTE DE COUPE)**

Contient le fil de coupe et le dégage lorsque la tête est frappée légèrement contre le sol pendant que l'appareil est en fonctionnement.

## **TROU DE VERROUILLAGE DE L'ARBRE**

Pour stabiliser la tête de coupe lors de son remplacement.

## **VIS D'ÉTANCHÉITÉ**

Pour une lubrification adéquate de l'engrenage dans le boîtier d'engrenage.

## **GÂCHETTE PRINCIPALE/GÂCHETTE DE VERROUILLAGE**

Permet de mettre en marche et d'arrêter l'outil. Il faut appuyer sur la gâchette de verrouillage avant d'appuyer sur la gâchette principale

## **INTERRUPTEUR MARCHE/ARRÊT**

Aide à prévenir l'activation accidentelle ou non autorisée des gâchettes. Il doit être réglé en position « ON » (marche) avant de pouvoir activer les gâchettes.

## **PRISE DE COURANT**

Permet de brancher directement le connecteur du bloc-piles.

## **CLÉ HEXAGONALE/CLÉ MULTIFONCTION**

Aide au remplacement de la tête du taille-bordure.

## ASSEMBLAGE

**⚠ AVERTISSEMENT :** S'il y a des pièces manquantes ou endommagées, ne tentez pas d'utiliser cet article tant que ces pièces n'auront pas été remplacées. Le fait d'utiliser cet article avec des pièces endommagées ou manquantes pourrait entraîner des blessures graves.

**⚠ AVERTISSEMENT :** Ne tentez pas de modifier cet article ou de créer des accessoires qui ne sont pas recommandés pour cet article. Toute modification est considérée comme un usage inapproprié et peut créer une situation dangereuse susceptible d'entraîner des blessures graves.

**⚠ AVERTISSEMENT :** Portez toujours des gants épais lorsque vous installez ou retirez une lame ou lorsque vous en effectuez l'entretien. Faites attention à la lame et protégez vos mains pour éviter de vous couper avec celle-ci.

**⚠ AVERTISSEMENT :** Pour empêcher une mise en marche accidentelle pouvant causer des blessures graves, enlevez toujours le connecteur de l'outil lorsque vous assemblez des pièces, procédez à des ajustements ou à son nettoyage ou lorsque l'outil n'est pas utilisé.

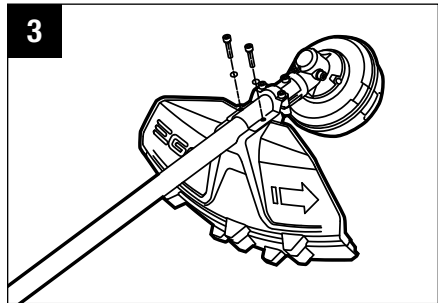
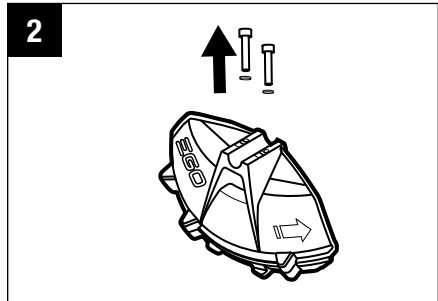
## DÉBALLAGE

- Cet article doit être assemblé.
- Retirez soigneusement l'outil et toutes les pièces de l'emballage. Assurez-vous que toutes les pièces mentionnées sur la liste de l'emballage sont présentes.
- Inspectez soigneusement l'outil pour vérifier qu'il n'a pas été endommagé pendant l'expédition.
- Ne jetez pas le matériel d'emballage avant d'avoir inspecté soigneusement la scie à chaîne et de l'avoir fait fonctionner de manière satisfaisante.
- S'il y a des pièces manquantes ou endommagées, veuillez retourner l'outil à l'endroit où vous l'avez acheté.

## MONTAJE DE LA PROTECCIÓN

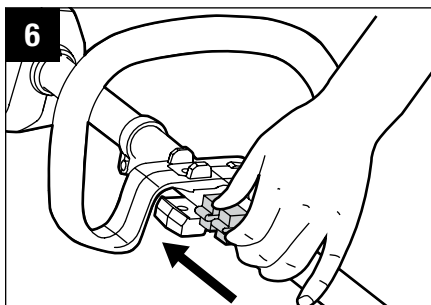
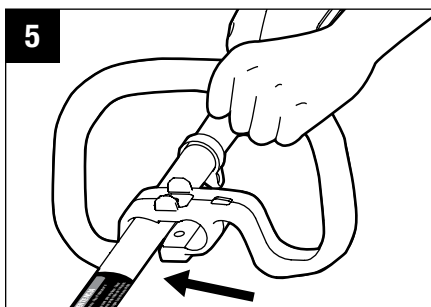
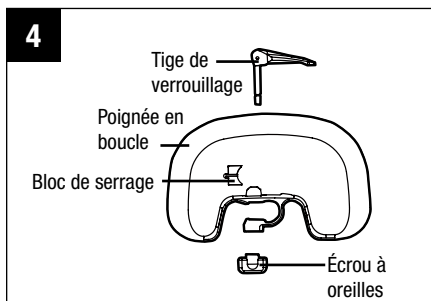
**⚠ AVERTISSEMENT :** Portez toujours des gants lorsque vous installez le protecteur ou le remplacez. Faites attention à la lame du protecteur et protégez vos mains pour éviter de vous couper avec la lame.

1. Desserrez les deux boulons du protecteur à l'aide de la clé hexagonale fournie; retirez les boulons et les rondelles à ressort du protecteur (Fig. 2) et mettez-les de côté.
2. Soulevez la tête du taille-bordure et placez-la vers le bas. Alignez les deux trous de montage du protecteur sur les deux trous de fixation à la base de l'arbre. Assurez-vous que la surface interne du protecteur est orientée vers la tête du taille-bordure (Fig. 3).
3. Utilisez la clé hexagonale fournie pour verrouiller le protecteur.



## INSTALLATION ET RÉGLAGE DE LA POIGNÉE EN BOUCLE

1. Desserrez la tige de verrouillage et l'écrou à oreilles, puis retirez-les de la poignée en boucle (Fig. 4).
2. Poussez la poignée en boucle contre l'arbre en fibre de carbone entre l'étiquette d'avertissement et l'anneau de seuil pour l'insérer (Fig. 5).
3. Insérez le bloc de serrage dans la fente de la poignée (Fig. 6).

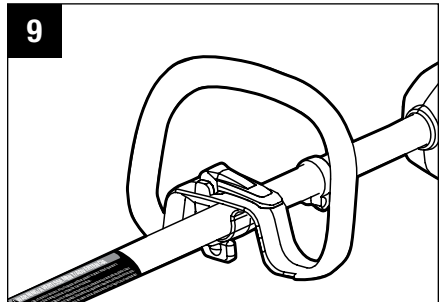
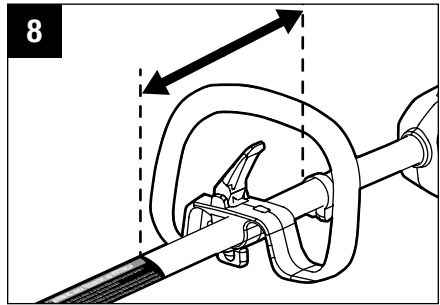
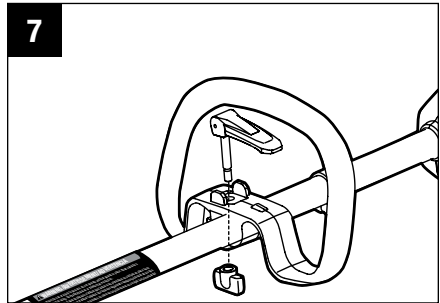


4. Posez la tige de verrouillage et serrez partiellement l'écrou à oreilles. Assurez-vous que la poignée de la boucle est placée vers le haut et est orientée vers le dessus de la poignée arrière (Fig. 7).
5. Tirez le levier de la tige de blocage vers le haut afin de pouvoir déplacer ou tourner facilement la poignée en boucle jusqu'à ce que vous vous sentiez à l'aise

**AVIS : La poignée en boucle devrait seulement être ajustée sur l'arbre en fibre de carbone entre l'anneau de seuil et l'étiquette d'avertissement (Fig. 8).**

6. Poussez le levier de la tige de blocage (Fig. 9).

**⚠ AVERTISSEMENT :** N'utilisez pas l'outil si la poignée en boucle n'est pas fixée solidement.



## FONCTIONNEMENT

**⚠ AVERTISSEMENT :** Même si vous connaissez parfaitement ce produit, soyez vigilant. N'oubliez pas qu'une fraction de seconde d'inattention suffit à se blesser grièvement.

**⚠ AVERTISSEMENT :** Portez toujours des lunettes de sécurité conformes à la norme ANSI Z87.1. Sinon, vous pourriez recevoir des débris dans les yeux et vous blesser grièvement.

**⚠ AVERTISSEMENT :** N'utilisez pas de pièces ni d'accessoires qui ne sont pas recommandés par le fabricant de ce produit. L'utilisation de pièces ou d'accessoires non recommandés peut causer des blessures graves.

**⚠ AVERTISSEMENT :** Pour prévenir les blessures graves, retirez le connecteur de l'outil avant d'en effectuer l'entretien, de le nettoyer, de remplacer des accessoires ou d'en retirer du matériel.

## UTILISATIONS

Vous pouvez utiliser ce produit pour les types de travaux listés ci-dessous.

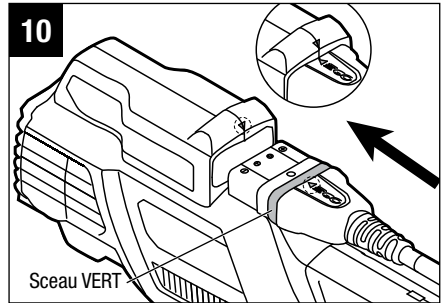
- tailler l'herbe et la mauvaise herbe en bordure des vérandas, clôtures et terrasses;
- couper l'herbe difficile à atteindre avec une tondeuse normale.



## BRANCHEMENT ET DÉBRANCHEMENT DU BLOC-PILES

**REMARQUE :** Chargez le bloc-piles au maximum avant sa première utilisation.

Ce taille-bordure est doté d'une prise réservée. Veuillez utiliser l'outil avec le bloc-piles à dos EGO BAX1501 ou avec les blocs-piles portatifs EGO insérés dans le sac à dos.



1. Alignez les marques «▲» du connecteur du bloc-piles et de la prise de courant du taille-bordure, puis branchez le connecteur sur le taille-bordure de sorte que le sceau VERT sur le connecteur disparaisse COMPLÈTEMENT dans la prise (Fig. 10).
2. Pour débrancher le bloc-piles, tirez sur la fiche pour la dégager de la prise

## TENIR ET UTILISER LE TAILLE-BORDURE (Fig. 11)

**⚠ AVERTISSEMENT :** Lorsque vous utilisez cet outil, habillez-vous convenablement pour réduire les risques de blessures. Ne portez pas de vêtements amples ni de bijoux. Portez des protections pour les yeux et les oreilles. Portez un pantalon long et épais, des bottes et des gants. Ne portez pas de pantalon court ni de sandales. N'utilisez pas l'outil lorsque vous êtes pieds nus. Portez un masque de protection ou un masque antipoussières lorsque l'endroit est poussiéreux.



Avant d'utiliser cet outil, regardez autour de vous pour vous assurer que l'espace de travail est sécuritaire et qu'aucune personne ni aucun animal n'est présent. Assurez-vous que les autres personnes sont à au moins 30,48 m (100.0 pi). Avant chaque utilisation, dégagez l'aire de travail. Enlevez tous les objets, comme les cailloux, les éclats de verre, les clous, les câbles ou les fils, qui pourraient être projetés par le taille-bordure ou qui pourraient rester coincés dans le dispositif de coupe. Assurez-vous de porter des lunettes de sécurité et des vêtements convenables et d'avoir un bon équilibre. Les passants pourraient malgré tout recevoir des projections de débris. Nous recommandons aux personnes à proximité de porter des lunettes de sécurité. Si une personne s'approche, arrêtez immédiatement le moteur et le dispositif de coupe.

### **Avant chaque utilisation, vérifiez si des pièces sont endommagées ou usées.**

Vérifiez la tête du taille-bordure, le protecteur et la poignée en boucle, puis remplacez toute pièce fissurée, déformée, tordue ou endommagée.

La lame coupe-fil en bordure du protecteur peut s'é mousser avec le temps. Il est recommandé de l'affûter périodiquement à l'aide d'une lime ou de la remplacer par une nouvelle lame.

**⚠ AVERTISSEMENT :** Portez toujours des gants lorsque vous installez ou remplacez le protecteur, ou lorsque vous affûtez ou remplacez la lame. Notez l'emplacement de la lame du protecteur et protégez vos mains pour éviter de vous blesser.

### **Nettoyez le taille-bordure après chaque utilisation.**

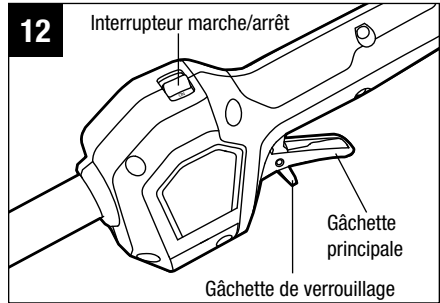
Des instructions pour le nettoyage de l'appareil se trouvent à la section Entretien.

**⚠ AVERTISSEMENT :** N'utilisez jamais d'eau pour nettoyer le taille-bordure. Évitez d'utiliser des solvants sur les pièces en plastique. La plupart des plastiques sont susceptibles d'être endommagés par divers types de solvants commerciaux. Utilisez des linges propres pour enlever la saleté, la poussière, l'huile, la graisse, etc.

## MISE EN MARCHÉ ET ARRÊT DU TAILLE-BORDURE

### Mise en marche

1. Mettez le bouton de verrouillage en position « ON » (marche).
2. Poussez la gâchette de verrouillage vers l'avant, puis appuyez sur la gâchette principale. Le taille-bordure se mettra en marche. Plus vous tirez la gâchette principale vers le haut, plus la vitesse de rotation de la tête du taille-bordure augmente (Fig. 12).



### Arrêt

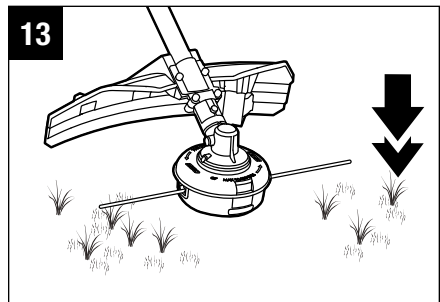
1. Éloignez le taille-bordure de la zone de coupe et relâchez la gâchette principale pour arrêter l'outil.
2. Mettez le bouton de verrouillage en position « OFF » (arrêt) afin d'éviter une mise en marche accidentelle.

**⚠ AVERTISSEMENT :** Débranchez systématiquement le connecteur du taille-haie pendant les pauses ou une fois que le travail est terminé.

**⚠ AVERTISSEMENT :** Assurez-vous que l'interrupteur marche/arrêt est bien en position « OFF » (arrêt) pour la prochaine utilisation pour éviter des blessures graves.

### RÉGLAGE DE LA LONGUEUR DU FIL DE COUPE

La tête du taille-bordure permet à l'utilisateur de dégager du fil de coupe supplémentaire sans arrêter le moteur. Lorsque le fil est effiloché ou usé, il est possible de libérer une longueur de fil supplémentaire en frappant doucement la tête du taille-bordure contre le sol pendant que l'outil fonctionne (Fig. 13).

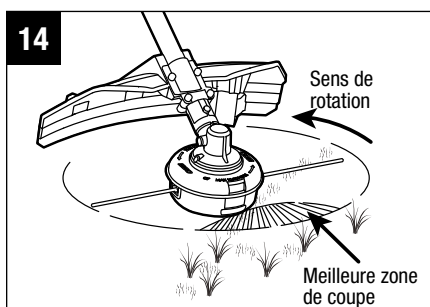


**⚠ AVERTISSEMENT :** N'essayez pas de retirer ni de modifier la lame coupe-fil. Un fil de coupe trop long entraînera une surchauffe du moteur et pourra ainsi causer des blessures graves.

Pour de meilleurs résultats, frappez la tête du taille-bordure contre un sol nu ou dur. Assurez-vous que le fil de coupe est toujours complètement étiré. Il devient plus difficile de libérer du fil lorsque la quantité de fil de coupe est réduite. Remplacez le fil au besoin. Pour en savoir plus, consultez la section « **REPLACEMENT DU FIL** ».

### Conseils pour bien réussir la taille des bordures (Fig. 14)

- Pour obtenir un angle de coupe adéquat, le dispositif de coupe doit être parallèle au sol
- Ne forcez pas le taille-bordure. Utilisez uniquement l'extrémité du fil pour couper l'herbe (surtout le long des murs). Dans le cas contraire, vous réduiriez l'efficacité de la coupe et pourriez surcharger le moteur.
- La hauteur de coupe dépend de la distance entre le fil de coupe et la surface de l'herbe.
- Si l'herbe est d'une hauteur de plus de 203,2 mm (8.0 po), vous devez la couper en effectuant un mouvement du haut vers le bas en abaissant lentement le taille-bordure à chaque passage pour éviter d'user trop rapidement le fil.
- Déplacez lentement le taille-bordure en effectuant un mouvement de va-et-vient au-dessus de la surface coupée, en maintenant la tête de coupe à la hauteur désirée. Il peut s'agir d'un mouvement latéral ou de l'avant vers l'arrière. Pour obtenir de meilleurs résultats, il est préférable de procéder de petites coupes.
- Évitez de couper l'herbe lorsqu'elle est sèche.
- Les clôtures de métal ou de bois peuvent accélérer l'usure du fil ou le briser. Le fil de coupe peut s'user rapidement s'il entre en contact avec un mur de pierres ou de briques, une bordure de trottoir ou du bois.
- Évitez le contact avec les arbres et les arbustes. Le fil peut facilement endommager l'écorce des arbres, les moulures de bois, le revêtement extérieur et les poteaux de clôture.

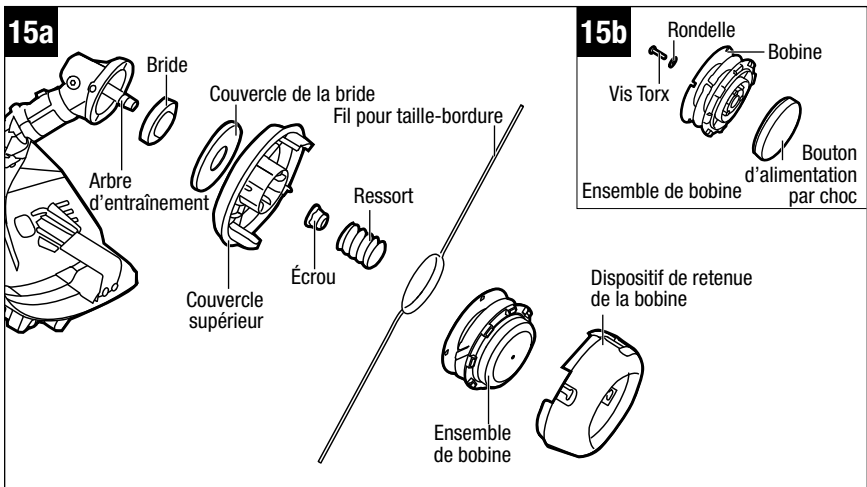


## REPLACEMENT DU FIL

**AVIS :** Utilisez toujours le fil de coupe de nylon recommandé, avec un diamètre maximal de 2,7 mm (0.105 po). L'utilisation d'un autre fil peut entraîner une surchauffe de l'outil ou l'endommager.

**⚠ AVERTISSEMENT :** N'utilisez jamais de fil renforcé de métal, de fil métallique, de corde ou d'autre matériau. Ceux-ci pourraient rompre et être projetés.

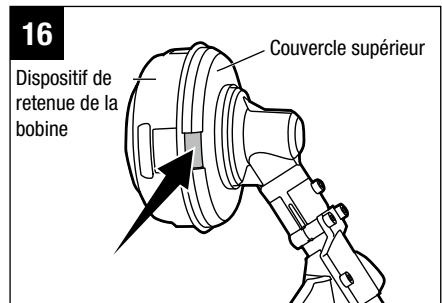
La tête du taille-bordure est illustrée à titre de référence (Fig. 15a et Fig. 15b).



1. Débranchez le connecteur du taille-bordure.

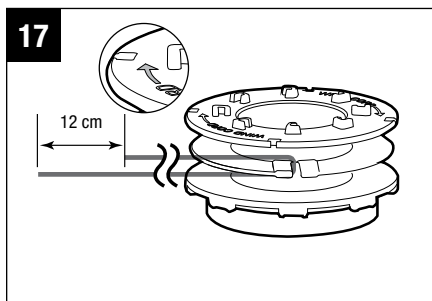
2. Appuyez sur les languettes de dégagement pour les dégager du couvercle supérieur, puis retirez le dispositif de retenue de la bobine (Fig. 16).

3. Retirez l'ensemble de bobine du dispositif de retenue de la bobine. Utilisez un linge propre pour nettoyer la surface intérieure du dispositif de retenue de la bobine et le couvercle supérieur.



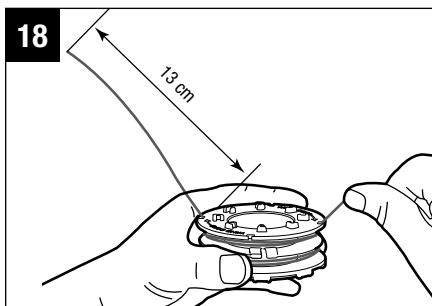
**AVIS :** Nettoyez toujours le dispositif de retenue de la bobine et le couvercle supérieur en profondeur avant de remonter la tête du taille-bordure.

4. Vérifiez si le dispositif de retenue de la bobine, l'ensemble de bobine et le couvercle supérieur sont usés. L'ensemble de bobine comprend une bobine et un bouton d'alimentation par choc, ainsi qu'une vis Torx et une rondelle pour le verrouillage. Remplacez toute pièce usée par mesure de sécurité.



5. Utilisez un fil de coupe d'une longueur d'environ 7,01 m (23.0 pi) et d'un diamètre maximal de 2,7 mm (0.105 po). Pliez le fil en deux, puis placez-le de façon à ce qu'une extrémité dépasse l'autre d'environ 11,93 cm (4.7 po)

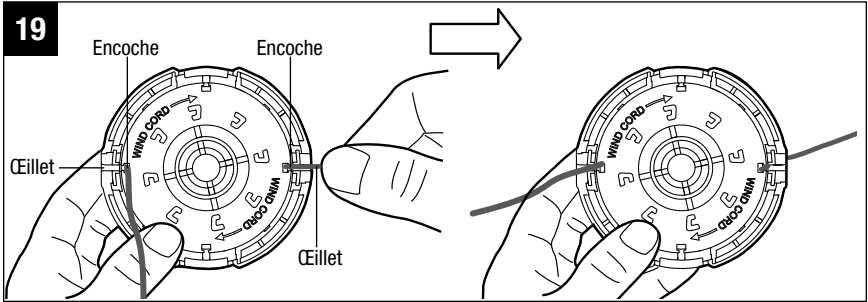
6. Accrochez l'extrémité pliée du fil de coupe sur l'une des deux fentes de l'ensemble de bobine, puis enroulez le fil en deux épaisseurs uniformes et serrées dans la direction indiquée par la flèche sur la bobine (Fig. 17).



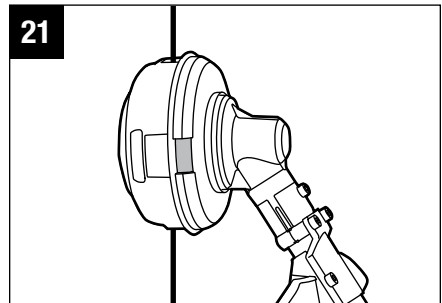
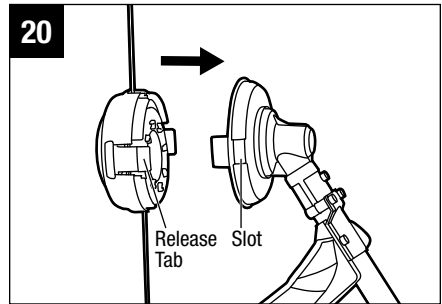
**AVIS :** Si le fil n'est pas enroulé dans le bon sens, la tête du taille-bordure ne fonctionnera pas correctement.

7. Placez les extrémités du fil dans deux encoches opposées sur l'ensemble de bobine, en laissant environ 12,7 cm (5.0 po) de fil dépasser (Fig. 18).

8. Alignez les encoches de l'ensemble de bobine desquelles le fil de coupe dépasse sur les œillets du dispositif de retenue de la bobine et placez l'ensemble de bobine dans le dispositif de retenue en vous assurant que le fil de coupe est fixé dans les œillets (Fig. 19).



9. Alignez les languettes de dégagement du dispositif de retenue de la bobine sur les fentes du couvercle supérieur pour fixer le dispositif de retenue de la bobine sur le couvercle supérieur (Fig. 20). Assurez-vous que les languettes de dégagement sont placées contre la surface intérieure du couvercle supérieur et qu'elles sont bien situées dans les fentes des deux côtés (Fig. 21).



**⚠ AVERTISSEMENT :** Assurez-vous que les languettes de dégagement du dispositif de retenue de la bobine s'enclenchent. Sinon, la bobine sortira pendant le fonctionnement, ce qui peut entraîner des blessures graves.

## ENTRETIEN

**⚠ AVERTISSEMENT :** Lors de l'entretien, utilisez seulement des pièces de rechange identiques aux pièces d'origine. L'utilisation de toute autre pièce peut constituer un danger ou endommager le produit. Pour en assurer la sûreté et la fiabilité, toute réparation doit être effectuée par un détaillant ou un distributeur EGO autorisé.

**⚠ AVERTISSEMENT :** Pour éviter des blessures graves, retirez toujours le cordon d'alimentation avant de procéder à l'entretien ou au nettoyage de l'article.

L'entretien des pièces du taille-bordure qui ne Fig.nt pas dans les présentes instructions d'entretien doit être effectué par un détaillant ou distributeur EGO autorisé.

### ENTRETIEN GÉNÉRAL

Évitez d'utiliser des solvants sur les pièces en plastique. La plupart des plastiques sont susceptibles d'être endommagés par divers types de solvants commerciaux. Utilisez un linge propre pour enlever la saleté, la poussière, l'huile, la graisse, etc.

**⚠ AVERTISSEMENT :** Ne laissez-en aucun temps du liquide pour freins, de l'essence, des produits à base de pétrole, des huiles dégrippantes et autres produits de ce genre entrer en contact avec les pièces en plastique. Les produits chimiques peuvent endommager, affaiblir ou détruire le plastique et entraîner ainsi des risques de blessures graves.

**⚠ AVERTISSEMENT :** Lors du nettoyage de l'outil, NE l'immergez PAS dans l'eau ou dans un autre liquide.

### NETTOYAGE

- Débranchez le connecteur du taille-bordure.
- Après chaque utilisation, enlevez les débris, la terre ou l'herbe de la lame ou du protecteur ou l'herbe qui s'est enroulée autour de l'arbre d'entraînement ou de la tête du taille-bordure à l'aide d'une brosse douce.
- Nettoyez la surface de l'outil à l'aide d'un linge propre humecté d'une solution légèrement savonneuse.
- Utilisez une petite brosse ou un petit aspirateur pour nettoyer les événements d'aération situés sur le boîtier arrière. Assurez-vous que les événements d'aération ne sont jamais obstrués.



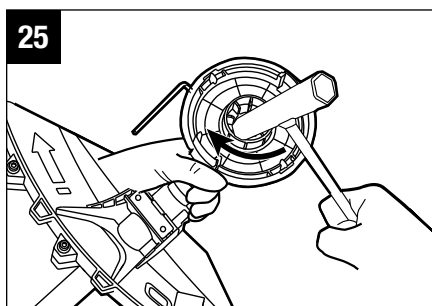
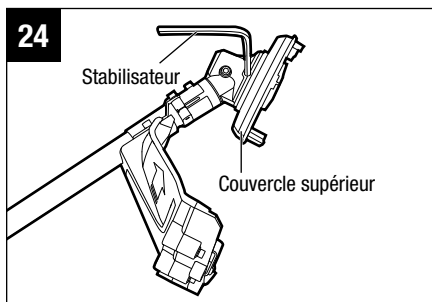
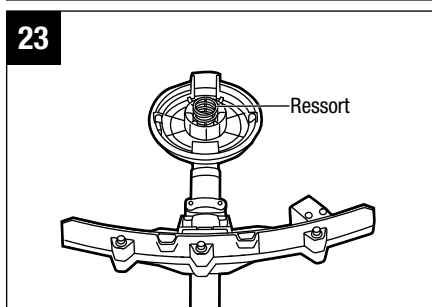
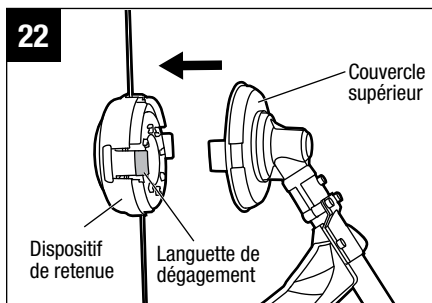
- N'utilisez pas de détergents puissants pour nettoyer le boîtier en plastique ou la poignée. Certaines huiles aromatiques, comme le pin et le citron, et certains solvants, comme le kérosène, peuvent les endommager. L'humidité peut également créer un risque de choc électrique. Essuyez les parties humides à l'aide d'un linge sec et doux.

## TRIMMER HEAD REPLACEMENT

**⚠ AVERTISSEMENT :** Si la tête se desserre après avoir été mise en place, remplacez-la immédiatement. N'utilisez jamais le taille-bordure si le dispositif de coupe n'est pas serré fermement. Remplacez immédiatement la tête de coupe si elle est fissurée, endommagée ou usée, même si elle ne présente que des fissures superficielles. À haute vitesse, ces pièces peuvent se briser et causer des blessures graves. Avant le remplacement, consultez les Fig.s 15a et 15b pour vous familiariser avec l'ensemble de la tête du taille-bordure

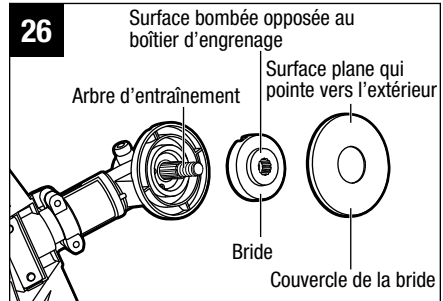
## Retrait de la tête du taille-bordure

1. Débranchez le connecteur du taille-bordure.
2. Appuyez sur les languettes de dégagement pour les dégager du couvercle supérieur, puis retirez le dispositif de retenue de la bobine (Fig. 22).
3. Retirez l'ensemble de bobine du dispositif de retenue de la bobine.
4. Retirez le ressort de l'arbre d'entraînement (Fig. 23).
5. Tournez le couvercle supérieur pour aligner la fente de la bride sur le trou de verrouillage de l'arbre dans le boîtier d'engrenage et insérez la clé hexagonale fournie dans les trous alignés pour servir de stabilisateur (Fig. 24).
6. Portez des gants. Utilisez la clé multifonction fournie pour desserrer l'écrou à l'intérieur du couvercle **DANS LE SENS DES AIGUILLES D'UNE MONTRE** (Fig. 25). Retirez l'écrou, puis retirez le couvercle supérieur. Conservez la bride et le couvercle de la bride de l'arbre d'entraînement en vue du réassemblage.

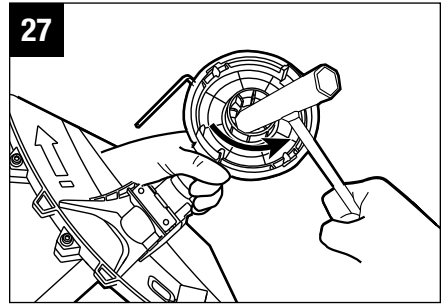


## Installation de la nouvelle tête du taille-bordure

1. Avant d'installer la nouvelle tête du taille-bordure, assurez-vous que la bride est installée sur l'arbre d'entraînement, que sa surface bombée est opposée au boîtier d'engrenage, que le couvercle de la bride touche la bride et que sa surface plane est orientée vers l'extérieur (Fig. 26).



2. Sortez la nouvelle tête du taille-bordure et ouvrez-la. Montez le couvercle supérieur sur l'arbre et serrez-le partiellement à la main à l'aide de l'écrou.



3. Tournez le couvercle supérieur pour aligner la fente de la bride sur le trou de verrouillage de l'arbre dans le boîtier d'engrenage et insérez la clé hexagonale fournie dans les trous alignés pour servir de stabilisateur (see Fig. 24).

4. Portez des gants. Utilisez la clé multifonction fournie pour serrer fermement l'écrou à l'intérieur du couvercle **DANS LE SENS CONTRAIRE DES AIGUILLES D'UNE MONTRE** (Fig. 27).

5. Montez le ressort sur l'arbre d'entraînement (see Fig. 23).

6. Enroulez le fil du taille-bordure sur l'ensemble de bobine et fixez-le dans le dispositif de retenue de la bobine, reportez-vous à la section « **REMPLACEMENT DU FIL** ».

## AFFÛTAGE DE LA LAME COUPE-FIL

**⚠ AVERTISSEMENT :** Protégez toujours vos mains au moyen de gants épais lorsque vous procédez à tout entretien de la lame coupe-fil.

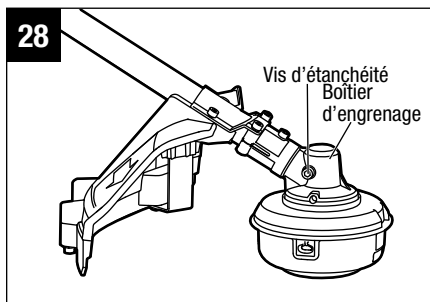
1. Retirez la lame coupe-fil du protecteur.
2. Fixez la lame dans un étau.

3. Portez une protection oculaire appropriée ainsi que des gants et faites attention de ne pas vous couper.
4. Limez soigneusement les bords coupants de la lame à l'aide d'une lime fine ou d'une pierre à aiguiser, en veillant à conserver l'angle original du tranchant.
5. Remplacez la lame du protecteur et fixez-la en place au moyen de deux vis.

## LUBRIFICATION DU DISPOSITIF D'ENTRAÎNEMENT

Pour un fonctionnement optimal et une durée de vie prolongée, lubrifiez le dispositif d'entraînement du taille-bordure avec une graisse spéciale, comme décrit ci-dessous, toutes les 50 heures de fonctionnement. Retirez la vis d'étanchéité du boîtier d'engrenage à l'aide de la clé hexagonale fournie

et appliquez jusqu'à 4,98 g (0.011 lb) de graisse dans l'orifice d'huile (Fig. 28). **NE REMPLISSEZ PAS COMPLÈTEMENT LE BOÎTIER D'ENGRENAGE DE GRAISSE.**



Respectez les exigences relatives à la graisse suivantes :

- Indice de consistance NLGI : NLGI-1
- Type d'épaississant : Ester
- Plage de température de fonctionnement recommandée : - 40 °C à 180 °C (- 40 °F à 356 °F)
- De plus, la graisse devrait présenter un excellent démarrage à basse température, une résistance aux pressions extrêmes, aux coupes mécaniques et à l'abrasion, ainsi que des propriétés de stabilité à l'oxydation.

## TRANSPORT ET ENTREPOSAGE

- Nettoyez complètement l'outil avant de le ranger.
- Rangez l'outil à l'intérieur dans un endroit sec et inaccessible aux enfants.
- Rangez-le à l'écart des agents corrosifs, comme des produits chimiques de jardinage ou des sels fondants.

# DÉPANNAGE

PROBLÈME	CAUSE	SOLUTION
Ne démarre pas/ cesse de fonctionner	<ul style="list-style-type: none"> <li>■ Le connecteur n'est pas bien branché</li> <li>■ Le bloc-piles portatif EGO ou le bloc-piles à dos EGO est déchargé.</li> <li>■ Le bloc-piles ou le taille-bordure est chaud.</li> <li>■ Le moteur du taille-bordure est surchargé.</li> </ul>	<ul style="list-style-type: none"> <li>■ Rebranchez le connecteur du cordon d'alimentation de sorte que le sceau VERT sur le connecteur disparaisse <b>COMPLÈTEMENT</b> dans la prise.</li> <li>■ Selon le type de bloc-piles, choisissez le chargeur approprié pour le recharger.</li> <li>■ Débranchez le bloc-piles du taille-bordure et laissez le bloc-piles ou le taille-bordure refroidir jusqu'à ce que sa température soit inférieure à 67 °C (152 °F).</li> <li>■ Le moteur fonctionnera de nouveau sans problème lorsque la cause de la surcharge sera éliminée. Pour assurer un fonctionnement continu, réduisez la charge sur le taille-bordure, évitez les lignes de coupe trop longues ou trop grandes ou la taille d'arbustes massifs ou ligneux.</li> </ul>
Vibration et bruit excessifs.	<ul style="list-style-type: none"> <li>■ The grease in the gear case is nearly run out.</li> <li>■ The cutting line is unbalanced.</li> </ul>	<ul style="list-style-type: none"> <li>■ Lubrifiez le dispositif d'entraînement dans le boîtier d'engrenage. Consultez la section « <b>LUBRIFICATION DU DISPOSITIF D'ENTRAÎNEMENT</b> » du présent manuel.</li> <li>■ Tapez légèrement la tête du taille-bordure contre le sol tout pendant son fonctionnement. Tapez plusieurs fois, au besoin.</li> </ul>

PROBLÈME	CAUSE	SOLUTION
Lors de la coupe, la tête du taille-bordure ne fait pas avancer le fil.	<ul style="list-style-type: none"> <li>■ De l'herbe s'est enroulée autour de l'arbre d'entraînement ou de la tête du taille-bordure</li> <li>■ Il ne reste pas suffisamment de fil sur la bobine.</li> <li>■ Le fil du taille-bordure est emmêlé dans la tête du taille-bordure.</li> <li>■ Le fil du taille-bordure est trop court.</li> </ul>	<ul style="list-style-type: none"> <li>■ Arrêtez le taille-bordure, débranchez le cordon d'alimentation, puis nettoyez soigneusement l'arbre d'entraînement ou la tête du taille-bordure.</li> <li>■ Débranchez le cordon d'alimentation et remplacez le fil par un nouveau fil de coupe. Consultez la section « <b>REMPLACEMENT DU FIL</b> » du présent manuel.</li> <li>■ Débranchez le cordon d'alimentation et rechargez le fil de coupe. Consultez la section « <b>REMPLACEMENT DU FIL</b> » du présent manuel.</li> <li>■ Débranchez le cordon d'alimentation et tirez sur le fil manuellement tout en appuyant sur la tête du taille-bordure et en la relâchant.</li> </ul>
Lors de la coupe, la lame coupe-fil sur le protecteur ne peut pas couper le fil.	<ul style="list-style-type: none"> <li>■ L'herbe haute est coupée à ras du sol.</li> </ul>	<ul style="list-style-type: none"> <li>■ Pour éviter l'enroulement, coupez l'herbe haute du haut vers le bas, en prenant soin de ne pas en couper plus 20,32 cm de longueur à la fois</li> </ul>
La tête du taille-bordure est fissurée ou le dispositif de retenue de la bobine se désolidarise du couvercle supérieur.	<ul style="list-style-type: none"> <li>■ La lame coupe-fil sur le protecteur est émoussée.</li> </ul>	<ul style="list-style-type: none"> <li>■ Affûtez la lame coupe-fil au moyen d'une lime ou remplacez-la par une nouvelle lame.</li> </ul>
Il n'y a presque plus de graisse dans le boîtier d'engrenage.	<ul style="list-style-type: none"> <li>■ La tête du taille-bordure est usée.</li> </ul>	<ul style="list-style-type: none"> <li>■ Avant toute utilisation ultérieure, remplacez-la par une nouvelle tête de taille-bordure. Consultez la section « <b>REMPLACEMENT DE LA TÊTE DU TAILLE-BORDURE</b> » du présent manuel.</li> </ul>

# GARANTIE

## POLITIQUE D'EGO EN MATIÈRE DE GARANTIE

Garantie limitée de 5 ans sur les équipements d'alimentation électrique d'extérieur EGO POWER+ et les équipements d'alimentation électrique portable pour un usage personnel et domestique.

Garantie limitée de 3 ans sur les blocs-piles et chargeurs du système EGO POWER+ pour un usage personnel et domestique.

Garantie limitée de 2 ans/1 an sur les équipements d'alimentation électrique d'extérieur, les équipements d'alimentation électrique portables, les blocs-piles et les chargeurs EGO pour un usage professionnel et commercial.

La durée et les détails de la garantie de chaque produit sont indiqués en ligne à l'adresse <http://egopowerplus.com/pages/warranty-policy>.

**Veillez communiquer avec le service à la clientèle d'EGO au 1 855 EGO-5656 (numéro sans frais)** pour toute question sur les réclamations au titre de la garantie.

## GARANTIE LIMITÉE

Les produits EGO sont garantis contre tout défaut de matériel ou de fabrication à compter de la date d'achat d'origine pour la période de garantie applicable. Les produits défectueux recevront une réparation gratuite.

- a) Cette garantie s'applique uniquement à l'acheteur initial s'étant procuré le produit chez un détaillant EGO autorisé et est non transférable. La liste des détaillants EGO autorisés est publiée en ligne sur le site <http://egopowerplus.com/pages/warranty-policy>.
- b) La période de garantie pour les produits remis en état ou certifiés par l'usine utilisés à des fins résidentielles est de 1 an, et de 90 jours lorsqu'ils sont utilisés à des fins industrielles, professionnelles ou commerciales.
- c) La période de garantie pour les pièces d'entretien régulier, y compris, sans s'y limiter, les lames, les têtes de taille-bordure, les guides-chaînes, les chaînes de scie, les courroies, les barres de raclage, les buses de souffleur, ainsi que tous les autres accessoires EGO, est de 90 jours lorsqu'elles sont utilisées à des fins résidentielles et de 30 jours lorsqu'elles sont utilisées à des fins industrielles, professionnelles ou commerciales. Ces pièces sont couvertes contre les défauts de fabrication pour une période de 90 jours ou de 30 jours si elles sont utilisées dans des conditions de travail normales.

- d) La présente garantie n'est pas valide si le produit a été utilisé aux fins de location.
- e) La présente garantie ne couvre pas les dommages résultant d'une modification, d'une altération ou d'une réparation non autorisée.
- f) Cette garantie couvre uniquement les défauts survenant dans des conditions normales d'utilisation et ne couvre aucun dysfonctionnement ou défaut ni aucune défaillance découlant d'un usage inapproprié ou abusif (notamment la surcharge du produit et son immersion dans l'eau ou dans tout autre liquide), d'un accident, d'une négligence, d'une installation inadéquate et de tout entretien ou entreposage inadéquat.
- g) La présente garantie ne couvre pas la détérioration normale du fini extérieur, notamment les rayures, les bosselures, les craquelures de la peinture ou toute corrosion ou décoloration résultant de la chaleur, de produits abrasifs ou de nettoyeurs chimiques.

## RÉCLAMATION AU TITRE DE LA GARANTIE

Pour faire une réclamation au titre de la garantie, veuillez communiquer avec le service à la clientèle d'EGO au **1 855 EGO-5656** (numéro sans frais). Lorsque vous faites une réclamation au titre de la garantie, vous devez présenter le reçu de vente original. Un centre de service autorisé sera sélectionné pour la réparation du produit conformément aux conditions de garantie prescrites. Il se peut qu'un petit dépôt soit exigé lorsque vous laissez votre outil dans un centre de service autorisé. Ce dépôt est remboursable lorsque le service de réparation est considéré comme étant couvert par la garantie.

## RESTRICTIONS SUPPLÉMENTAIRES

Dans la mesure permise par la loi en vigueur, toutes les garanties implicites, y compris les garanties de QUALITÉ MARCHANDE ou D'ADÉQUATION À UN USAGE PARTICULIER, sont exclues. Toute garantie implicite, y compris la garantie de qualité marchande ou d'adéquation à un usage particulier, qui ne peut être rejetée en vertu de la loi de l'État ou de la province est limitée à la période de garantie applicable définie au début de cet article.

Chervon North America n'est pas responsable des dommages accessoires, consécutifs, indirects ou directs.

Certaines provinces n'autorisent pas les restrictions de durée de garantie implicite, ou l'exclusion ou la restriction des dommages consécutifs et accessoires; c'est pourquoi les restrictions ci-dessus peuvent ne pas s'appliquer à votre cas.

Cette garantie vous confère des droits précis. Il est possible que vous disposiez également d'autres droits, qui varient d'une province à l'autre.

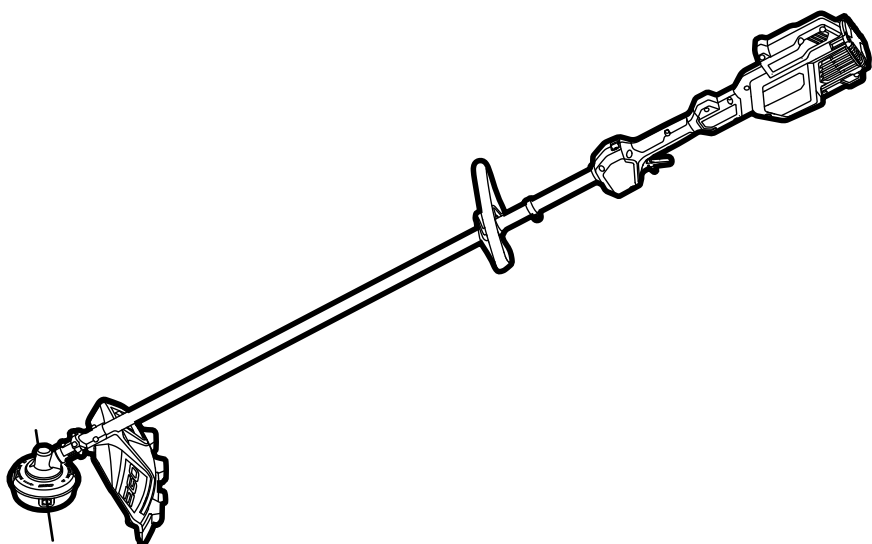
Pour communiquer avec le service à la clientèle, veuillez composer le numéro sans frais suivant : **1 855 EGO-5656** ou consulter le site Web **EGOPOWERPLUS.COM**.

EGO Customer Service, 769 SEWARD AVE NW / Suite 102 Grand Rapids, MI 49504, États-Unis.



# EGO™

POWER<sup>+</sup> STRING TRIMMER



MANUAL DEL USUARIO

## ORILLADORA CON IONES DE LITIO DE 56 VOLTIOS Y MO- TOR POSTERIOR DE 38 CM

NÚMERO DE MODELO  
STX3800

**⚠ ADVERTENCIA:** para reducir el riesgo de lesiones, el usuario debe leer y comprender el Manual del usuario antes de usar este producto. Guarde estas instrucciones para consultarlas en el futuro.

# ÍNDICE

Símbolos de seguridad .....	72
Instrucciones de seguridad .....	73-78
Introducción .....	79
Especificaciones .....	79-80
Lista de empaque .....	80
Descripción .....	81-82
Ensamble .....	83-86
Funcionamiento .....	87-94
Mantenimiento .....	95-98
Solución de problemas .....	99-100
Garantía .....	101-102

# ¡LEA TODAS LAS INSTRUCCIONES!



LEA Y COMPRENDA EL  
MANUAL DEL USUARIO

**⚠ ADVERTENCIA:** Parte del polvo producto del lijado, aserrado, esmerilado, taladrado y otras actividades de construcción, contiene sustancias químicas que el estado de California reconoce como causantes de cáncer, defectos congénitos u otros daños al sistema reproductor. Algunos ejemplos de estas sustancias químicas son los siguientes:

- Plomo de pinturas a base de plomo.
- Sílice cristalina de ladrillos, cemento y otros productos de mampostería y,
- Arsénico y cromo de maderas tratadas químicamente.

El riesgo de sufrir estas exposiciones varía según la frecuencia con que realice este tipo de trabajo. Medidas para reducir la exposición a estos químicos: trabaje en un lugar bien ventilado y con equipos de seguridad aprobados, como las mascarillas antipolvo que están diseñadas especialmente para filtrar partículas microscópicas.

## SÍMBOLOS DE SEGURIDAD

El propósito de los símbolos de seguridad es alertarlo de posibles peligros. Los símbolos de seguridad y sus explicaciones merecen una atención y comprensión minuciosas. Las advertencias de los símbolos, por sí mismas, no eliminan los peligros. Las instrucciones y las advertencias no sustituyen las medidas de prevención de accidentes que correspondan.

**⚠ ADVERTENCIA:** Asegúrese de leer y comprender todas las instrucciones de seguridad que contiene este Manual del usuario, incluidos todos los símbolos de alerta de seguridad como "PELIGRO", "ADVERTENCIA" y "PRECAUCIÓN", antes de usar esta herramienta. No seguir todas las instrucciones que se indican a continuación podría resultar en descargas eléctricas, incendios o lesiones personales graves.

### SIGNIFICADO DE LOS SÍMBOLOS

**⚠ SÍMBOLO DE ALERTA DE SEGURIDAD:** Indica PELIGRO, ADVERTENCIA O PRECAUCIÓN. Puede aparecer junto con otros símbolos o pictografías.



**⚠ ¡ADVERTENCIA!** El funcionamiento de cualquier herramienta eléctrica puede causar que objetos extraños salgan expedidos hacia los ojos, lo que puede provocar daños oculares graves. Antes de comenzar a operar una herramienta eléctrica, use siempre gafas protectoras o anteojos de seguridad con blindaje lateral y un protector facial si es necesario. Le recomendamos usar una máscara de seguridad de visión amplia sobre anteojos o anteojos de seguridad estándar con protección lateral. Use siempre lentes de protección con la marca de cumplimiento de la norma ANSI Z87.1.

# INSTRUCCIONES DE SEGURIDAD

Esta página muestra y describe los símbolos de seguridad que pueden aparecer en este producto. Lea, comprenda y siga todas las instrucciones de la máquina antes de ensamblarla y utilizarla.

	Alerta de seguridad	Indica que existe el riesgo de que se produzcan lesiones personales.
	Lea y comprenda el Manual del usuario	Para reducir el riesgo de lesiones, el usuario debe leer y comprender el Manual del operador antes de utilizar este producto.
	Use lentes de protección	Al utilizar este producto, colóquese siempre gafas o lentes de seguridad con protectores laterales que cumplan con la norma ANSI Z87.1.
	Símbolos de reciclaje	Este producto utiliza baterías de iones de litio. Las leyes locales, estatales o federales podrían prohibir la eliminación de baterías en basureros comunes. Consulte con la autoridad reguladora de desechos local para obtener información sobre las opciones de reciclaje o eliminación disponibles.
IPX5	Grado de protección de admisión	Protección contra las salpicaduras de agua
V	Voltio	Voltaje
	Corriente continua	Tipo o característica de corriente
$n_0$	Velocidad sin carga	Velocidad de rotación sin carga
RPM	Revoluciones por minuto	Velocidad de rotación
cm	Centímetros	Largo o tamaño
mm	Milímetro	Largo o tamaño
in.	Pulgada	Largo o tamaño
kg	Kilogramo	Peso
lb	Libra	Peso

## ADVERTENCIAS DE SEGURIDAD GENERAL EN EL MANEJO DE HERRAMIENTAS ELÉCTRICAS QUE FUNCIONAN CON BATERÍAS

**⚠ ADVERTENCIA** lea todas las advertencias de seguridad, las instrucciones, las ilustraciones y las especificaciones que se incluyen esta herramienta eléctrica. No seguir todas las instrucciones que se detallan a continuación podría provocar descargas eléctricas, incendios o lesiones graves.

Guarde todas las advertencias e instrucciones para referencia futura.

### SEGURIDAD EN EL ÁREA DE TRABAJO

- **Mantenga el área de trabajo limpia y bien iluminada.** Las áreas desordenadas u oscuras aumentan las posibilidades de accidentes.
- **No utilice herramientas eléctricas en atmósferas en las que exista riesgo de explosión, como por ejemplo en presencia de líquidos inflamables, gases o polvo.** Las herramientas eléctricas producen chispas que podrían encender el polvo o el humo.
- **Mantenga a los niños y transeúntes alejados mientras opera una herramienta eléctrica.** Las distracciones pueden hacer que pierda el control.
- **Evite entornos peligrosos:** no use los electrodomésticos en lugares húmedos o mojados.

### SEGURIDAD PERSONAL

- **Manténgase alerta, preste atención a lo que hace y utilice el sentido común cuando utilice una herramienta eléctrica. No utilice una herramienta eléctrica si está cansado o bajo los efectos de drogas, alcohol o medicamentos.** Un momento de desatención mientras opera herramientas eléctricas puede provocar lesiones personales graves.
- **Siempre utilice un equipo de protección personal.** Los equipos de protección, como lentes de protección, mascarillas antipolvo, zapatos de seguridad antideslizantes, cascos protectores o auriculares de seguridad, utilizados para condiciones adecuadas, disminuyen las lesiones personales.
- **Evite un arranque accidental. Asegúrese de que el interruptor esté en la posición de apagado antes de conectar la herramienta al paquete de baterías, levantarla o transportarla.** Transportar herramientas eléctricas con el dedo en el interruptor o enchufar herramientas eléctricas que tienen el interruptor encendido aumenta las posibilidades de accidentes.

- **Retire todas las llaves de ajuste o llaves inglesas antes de encender la herramienta eléctrica.** Si se deja una llave inglesa o una llave conectada a una pieza en movimiento de la herramienta eléctrica, se pueden producir lesiones personales.
- **No se extienda demasiado. Mantenga una postura y un equilibrio adecuados en todo momento.** Esto le permitirá tener un mejor control de la herramienta eléctrica en situaciones inesperadas.
- **Use ropa adecuada. No use ropa holgada ni joyas. Mantenga el cabello y la ropa alejados de las piezas en movimiento.** La ropa holgada, las joyas o el cabello largo pueden quedar atrapados en las piezas en movimiento.
- **Si se proporcionan dispositivos para la conexión de instalaciones de extracción y recolección de polvo, asegúrese de que se conecten y se usen debidamente.** La recolección de polvo puede disminuir los peligros relacionados con el polvo.
- **No permita que la familiaridad del uso frecuente de las herramientas lo haga no tener en cuenta los principios de seguridad en el manejo de las herramientas.** Un descuido puede ocasionar una lesión grave en cuestión de segundos.

## USO Y CUIDADO DE LAS HERRAMIENTAS ELÉCTRICAS

- **No fuerce la herramienta eléctrica. Utilice la herramienta eléctrica adecuada para su tarea.** La herramienta eléctrica adecuada realizará un trabajo más seguro y de mejor calidad al ritmo para el que fue diseñada.
- **No utilice la herramienta eléctrica si el interruptor no la enciende o apaga.** Cualquier herramienta eléctrica que no pueda controlarse con el interruptor es peligrosa y debe repararse.
- **Si es posible, retire el paquete de baterías de la herramienta eléctrica o active cualquier dispositivo que bloquee la batería antes de retirar material atascado, realizar ajustes, cambiar accesorios, limpiar o almacenar herramientas eléctricas.** Este tipo de medidas de seguridad preventivas reduce el riesgo de arranques accidentales de la herramienta eléctrica.
- **Almacene las herramientas eléctricas que no estén en uso fuera del alcance de los niños y no permita que personas no familiarizadas con la herramienta o estas instrucciones la operen.** Las herramientas eléctricas son peligrosas en manos de usuarios sin capacitación.

- **Realice mantenimiento a las herramientas eléctricas y a los accesorios. Revise si hay piezas móviles desalineadas o torcidas, si hay piezas rotas y cualquier otra condición que pueda afectar el funcionamiento de la herramienta eléctrica. Si se daña la herramienta eléctrica, hágala reparar antes de usarla.** Muchos accidentes son producto del mantenimiento incorrecto de las herramientas eléctricas y los accesorios.
- **Mantenga las herramientas de corte afiladas y limpias.** Las herramientas de corte que se mantienen adecuadamente, con sus bordes de corte afilados, tienen menos riesgo de trabarse y son más fáciles de controlar.
- **Use la herramienta eléctrica, los accesorios, las brocas, etc., de acuerdo con estas instrucciones, teniendo en cuenta las condiciones de trabajo y el trabajo que realizará.** El uso de la herramienta eléctrica para diferentes funciones distintas a las previstas podría crear una situación de peligro.
- **Mantenga las manijas y las superficies de agarre secas, limpias y sin aceite ni grasa.** Las manijas y superficies de agarre húmedas pueden provocar una manipulación insegura o la pérdida de control de la herramienta.
- **Mantenga los cables alejados del área de trabajo de la herramienta.** Durante el funcionamiento, los cables pueden estar ocultos y la herramienta puede dañarlos accidentalmente.

## USO Y CUIDADO DE LA HERRAMIENTA A BATERÍA

- **Recargue el paquete de baterías solo con el cargador especificado por el fabricante.** Un cargador adecuado para un tipo de paquete de baterías puede crear un riesgo de incendio cuando se usa con otro paquete de baterías. Use solamente con los paquetes de batería y los cargadores que se indican a continuación:

PAQUETE DE BATERÍAS	CARGADOR
BAX1501	CHX5500

- **Use las herramientas eléctricas solo con los paquetes de baterías específicamente designados para ellas.** El uso de cualquier otro paquete de baterías puede crear un riesgo de lesión e incendio.
- **Cuando el paquete de baterías no está en uso, aléjelo de objetos metálicos, como sujetapapeles, monedas, llaves, clavos, tornillos u otros objetos metálicos pequeños que pudieran crear una conexión entre los terminales.** Es posible que conectar los terminales de la batería entre sí produzca quemaduras o un incendio.



- **En condiciones de maltrato, es posible que salga líquido de la batería. Evite el contacto. Si se produce un contacto accidental, enjuague con agua. Si el líquido entra en contacto con los ojos, solicite atención médica adicional.** El líquido que sale de la batería puede provocar irritación o quemaduras.
- **No utilice un paquete de baterías ni una herramienta si están dañadas o modificadas.** Las baterías dañadas o modificadas pueden mostrar una conducta impredecible que podría provocar incendios, explosiones o riesgo de lesiones.
- **No exponga el paquete de baterías ni la herramienta al fuego o a una temperatura excesiva.** La exposición al fuego o a temperaturas por encima de los 212 °F (100 °C) puede causar una explosión.
- **Siga todas las instrucciones de carga y no cargue el paquete de baterías ni las herramientas fuera del rango de temperatura especificado en las instrucciones.** La carga inadecuada o a temperaturas fuera del rango especificado podría dañar la batería y aumentar el riesgo de incendio.

## MANTENIMIENTO

- **Permita que solo una persona capacitada repare la herramienta eléctrica, mediante el uso solo de piezas de repuesto idénticas.** Esto mantendrá la seguridad de la herramienta eléctrica.
- **Nunca realice mantenimiento a los paquetes de baterías.** Solo el fabricante o proveedores de servicio autorizados pueden realizar el mantenimiento de los paquetes de baterías.

## INSTRUCCIONES DE SEGURIDAD PARA LA ORILLADORA

- **Cuando reemplace el hilo de corte, no use un hilo de nailon de más de 0.105 pulgadas (2.7 mm).** El uso de hilos más gruesos que los recomendados por el fabricante aumenta la carga en el motor y reduce la velocidad de funcionamiento. Esto provoca el sobrecalentamiento y puede dañar la orilladora.
- **Para reducir el riesgo de lesiones graves, nunca utilice hilo de alambre o de metal reforzado ni otro material en lugar de los hilos de corte de nailon.** Se podrían romper trozos de alambre y dispararse a alta velocidad hacia el operador o los transeúntes.
- **Reemplace los cabezales agrietados, dañados o gastados de inmediato, aunque el daño se limite a grietas superficiales.** Dichos aditamentos podrían desprenderse a alta velocidad y provocar lesiones graves o mortales.

## INSTRUCCIONES IMPORTANTES DE SEGURIDAD

- **Si la herramienta eléctrica comienza a vibrar de manera anormal o se vuelve ruidosa, detenga el motor y busque la causa de inmediato.** Por lo general, el ruido anormal advierte acerca de un problema.
- **Antes de usar este producto, asegúrese de que todos los protectores y demás dispositivos de seguridad adecuados estén asegurados correctamente. No utilice sin las cubiertas protectoras en su sitio.**
- **No cargue el paquete de baterías en una ubicación húmeda o mojada.**
- **No incinere la batería.** Las celdas pueden explotar. Revise los códigos locales para obtener instrucciones especiales para la eliminación de las baterías.
- **No abra ni mutile la batería.** Los electrolitos liberados son corrosivos y pueden causar daños en los ojos o la piel. Pueden ser tóxicos si se ingieren.
- **Las herramientas con batería no se deben enchufar en un tomacorriente; por lo tanto, siempre están en condiciones de funcionamiento. Tenga en cuenta los posibles peligros incluso cuando no use la herramienta. Tenga cuidado al realizar la reparación o el mantenimiento.**
- **No lave la orilladora con una manguera; evite que el motor y las conexiones eléctricas se mojen.**
- **Si se presenta alguna situación que no aparece en este manual, tenga cuidado y aplique su mejor criterio. Póngase en contacto con el Centro de Servicio al Cliente de EGO para recibir ayuda.**
- **GUARDE ESTAS INSTRUCCIONES.** Consúltelas periódicamente y úselas para instruir a otras personas que puedan usar esta herramienta. Si presta la herramienta a alguien más, préstele también estas instrucciones para evitar el uso indebido del producto y posibles lesiones.

**GUARDE ESTAS INSTRUCCIONES!**

# INTRODUCCIÓN

Felicitaciones por elegir un EGO POWER+ con iones de litio de 56 voltios. Está pensado, diseñado y fabricado para brindarle el mejor rendimiento y confiabilidad posibles.

En caso de que tuviera algún problema que no pudiera resolver fácilmente, póngase en contacto con el Centro de Servicio al Cliente de EGO llamando al 1-855-EGO-5656.

Este manual contiene información importante para el ensamble, la operación y el mantenimiento seguro de su orilladora de hilo. Léalo atentamente antes de usar la orilladora de hilo. Mantenga este manual a mano para poder consultarlo en cualquier momento.

NÚMERO DE SERIE \_\_\_\_\_ FECHA DE COMPRA \_\_\_\_\_  
DEBE ANOTAR EL NÚMERO DE SERIE Y LA FECHA DE COMPRA Y CONSERVARLOS EN UN LUGAR SEGURO PARA CONSULTARLOS EN EL FUTURO.

# ESPECIFICACIONES

Voltaje	56 V
Velocidad sin carga (n <sub>0</sub> )	Hasta 5800 RPM
Mecanismo de corte	Cabezal de la orilladora con alimentación por contacto
Tipo de hilo de corte	0,095 pulgadas (2,4 mm) a 0,105 pulgadas (2,7 mm) hilo de nailon enrollado
Ancho de corte	15 pulgadas (38 cm)
Temperatura de funcionamiento	0°C a 40°C (32°F a 104°F)
Temperatura de almacenaje	-4 °F a 158 °F (-20 °C a 70 °C)
Peso neto (incluido el protector)	12,79 lb (5,8 kg)

## Hilo de corte recomendado

NOMBRE DE LA PIEZA	NÚMERO DE MODELO
Línea de corte (Hilo de nailon enrollado de 2.4 mm (0,095 pulg.))	AL2415S/AL2450S/AL2420P
Cabezales de orilladoras	AH3800
Carretes para orilladora	AS3800
Botón de alimentación por contacto del cabezal de la orilladora	ABT3800

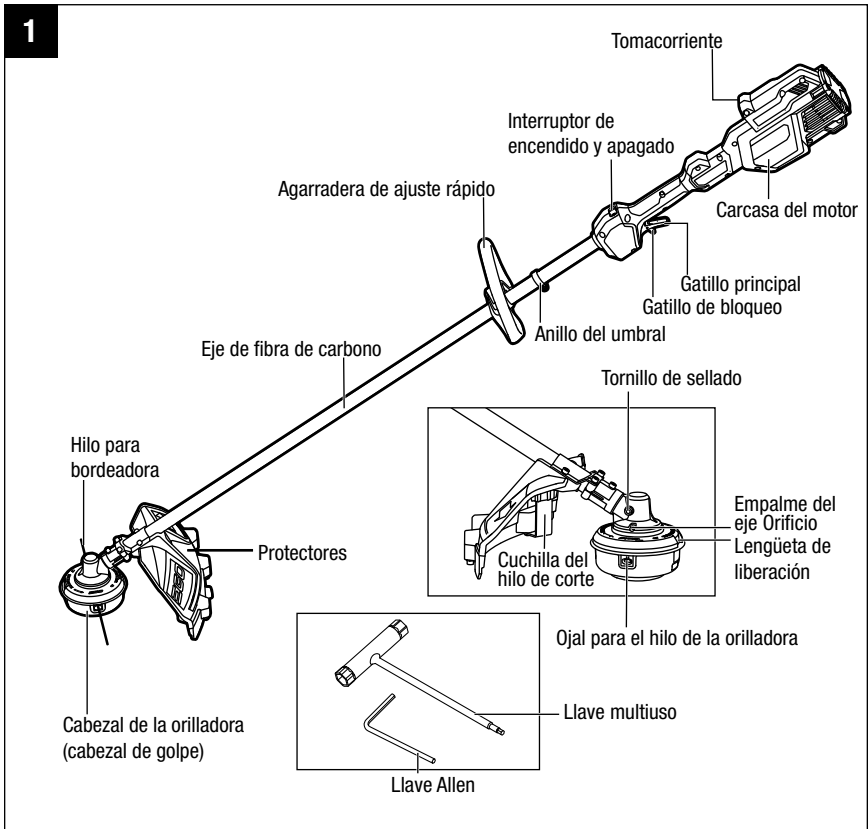
## LISTA DE EMPAQUE

NOMBRE DE LA PIEZA	CANTIDAD
Orilladora	1
Protectores	1
Agarradera de ajuste rápido	1
Llave Allen	1
Llave multiuso	1
Manual del operador	1

# DESCRIPCIÓN

## CONOZCA SU ORILLADORA (Fig. 1)

El uso seguro de este producto requiere la comprensión de la información impresa en la herramienta y en el Manual del usuario, así como ciertos conocimientos sobre el proyecto a realizar. Antes de usar este producto, familiarícese con todas las características operativas y reglas de seguridad.



**⚠ ADVERTENCIA:** Nunca opere la herramienta si la protección no está bien colocada en su lugar. La protección debe estar siempre en la herramienta para proteger al usuario.

## **AGARRADERA DE AJUSTE RÁPIDO**

Facilita el control de la orilladora durante el corte.

## **ANILLO DEL UMBRAL**

Limita la posición de montaje de la agarradera.

## **PROTECCIÓN**

Reduce el riesgo de lesiones por objetos extraños expulsados en dirección al operador y por el contacto con el accesorio de corte.

## **CUCHILLA DEL HILO DE CORTE**

La cuchilla de acero en la protección mantiene el hilo de corte en el largo adecuado.

## **CABEZAL DE LA ORILLADORA (CABEZAL DE GOLPE)**

Guarda el hilo de corte y lo libera cuando el cabezal toca levemente el suelo durante el funcionamiento.

## **ORIFICIO DE EMPALME DEL EJE**

Se lo utiliza para estabilizar la herramienta durante el reemplazo del cabezal de la orilladora.

## **TORNILLO DE SELLADO**

Se lo utiliza para obtener una lubricación práctica de los engranajes en la caja de cambios.

## **GATILLO PRINCIPAL/GATILLO DE BLOQUEO**

Enciende y apaga la herramienta. El gatillo de bloqueo se debe apretar antes de presionar el gatillo principal.

## **INTERRUPTOR DE ENCENDIDO Y APAGADO**

Ayuda a evitar la activación accidental o no autorizada de los gatillos. Se lo debe colocar en la posición "ON" (encendido) antes de poder activar el gatillo.

## **DADO ELÉCTRICO**

Enchufa directamente la batería.

## **LLAVE ALLEN/LLAVE INGLESA MULTIUSO**

Ayuda a reemplazar el cabezal de la orilladora.

## ENSAMBLE

**⚠ ADVERTENCIA:** si hay piezas dañadas o faltan piezas, no utilice el producto hasta que las reemplace. Usar este producto con piezas dañadas o faltantes podría provocar lesiones personales graves.

**⚠ ADVERTENCIA:** No intente modificar este producto ni crear accesorios que no sean recomendados para utilizar con este producto. Cualquier alteración o modificación se considera un uso inapropiado y podría generar una condición peligrosa y provocar lesiones personales graves.

**⚠ ADVERTENCIA:** siempre use guantes para trabajo pesado cuando instale o retire la cuchilla o cuando lleve a cabo el mantenimiento de la cuchilla. Tenga cuidado con la cuchilla y proteja sus manos para evitar que se produzcan lesiones.

**⚠ ADVERTENCIA:** para evitar un arranque accidental, que puede causar lesiones graves personales, siempre retire el enchufe de la herramienta cuando no esté en uso o cuando esté ensamblando las piezas, realizando ajustes o limpiándola.

## RETIRO DEL EMPAQUE

- Este producto requiere de ensamblado.
- Retire el producto y los accesorios de la caja cuidadosamente. Asegúrese de que todos los elementos que aparecen en la lista de empaque estén incluidos.
- Inspeccione cuidadosamente la herramienta para asegurarse de que no se produjo ninguna ruptura o daño durante su envío.
- No deseche el material de embalaje hasta que haya inspeccionado cuidadosamente y utilizado satisfactoriamente la herramienta.
- Si hay piezas faltantes o dañadas, devuelva este producto al lugar donde lo compró.

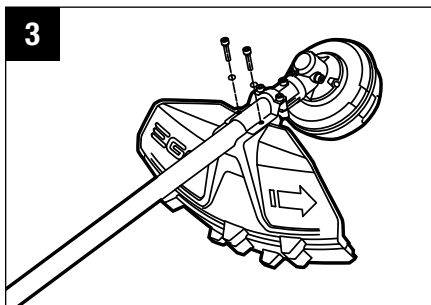
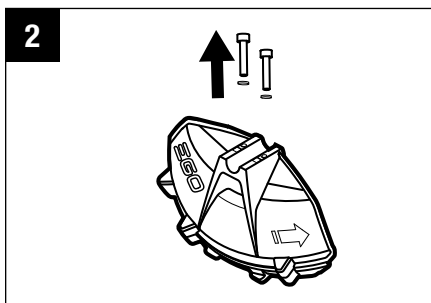
## MONTAJE DE LA PROTECCIÓN

**⚠ ADVERTENCIA:** siempre use guantes al montar o reemplazar la protección. Tenga cuidado con la cuchilla junto a la protección y protéjase las manos, ya que podría sufrir cortes.

1. Afloje los dos pernos de la protección con la llave Allen provista; retire los pernos y las arandelas de resorte de la protección y guárdelos (Fig. 2).

2. Levante el cabezal de la orilladora y oriéntelo hacia abajo; alinee los dos orificios de montaje en la protección con los dos orificios de ensamble en la base del eje. Asegúrese de que la cara interna del protector se oriente hacia el cabezal de la orilladora (Fig. 3).

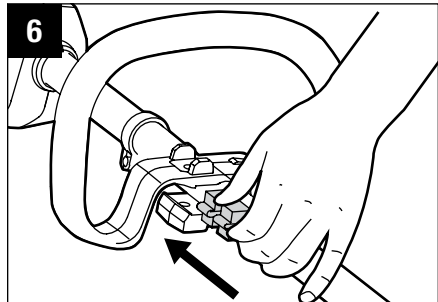
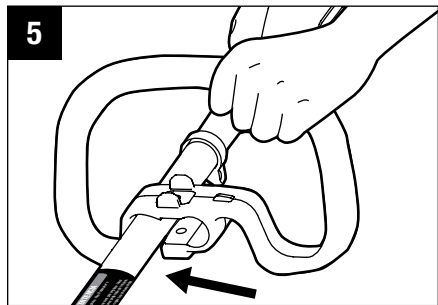
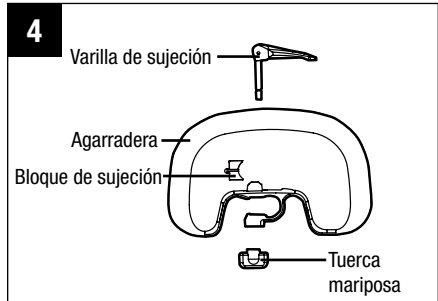
3. Use la llave Allen provista para asegurar la protección en su lugar.





## CÓMO MONTAR Y AJUSTAR LA AGARRADERA

1. Desajuste y retire la varilla de sujeción y la tuerca mariposa de la agarradera (Fig. 4).
2. Empuje la agarradera en el eje de fibra de carbono, entre la etiqueta de advertencia y el anillo del umbral (Fig. 5).
3. Coloque el bloque de sujeción en la ranura de la agarradera (Fig. 6).

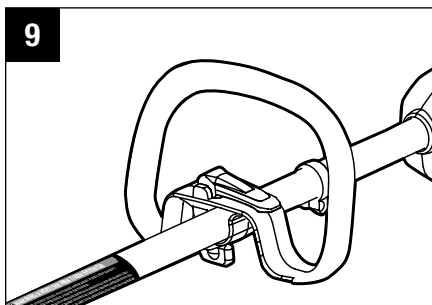
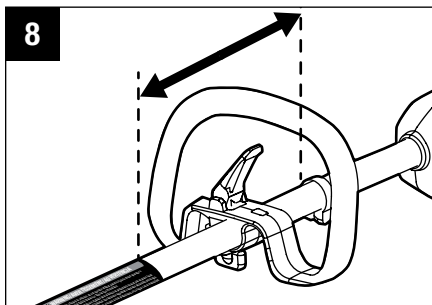
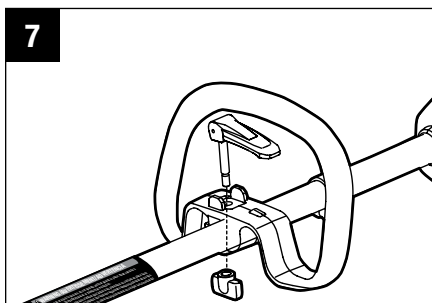


4. Coloque la varilla de sujeción y preajuste la tuerca mariposa. Asegúrese de que la agarradera esté colocada mirando hacia arriba y apuntando hacia la parte superior de la agarradera posterior (Fig. 7).
5. Levante la palanca de la varilla de sujeción para mover o girar la agarradera fácilmente a donde le sea cómodo.

**AVISO:** La agarradera solo se debe ajustar entre el anillo del umbral y la etiqueta de advertencia en el eje de fibra de carbono (Fig. 8).

6. Sujete la palanca de la varilla de sujeción (Fig. 9).

**⚠ ADVERTENCIA:** No use la herramienta si la agarradera no está fijada de forma segura.



## FUNCIONAMIENTO

**⚠ ADVERTENCIA:** no permita que familiarizarse con este producto lo vuelva imprudente. Recuerde que un descuido de una fracción de segundo es suficiente para ocasionar lesiones graves.

**⚠ ADVERTENCIA:** use siempre lentes de protección que cumplan con la norma ANSI Z87.1. De lo contrario, podría provocar que se disparen objetos hacia sus ojos y otras posibles lesiones graves.

**⚠ ADVERTENCIA:** no use ningún aditamento ni accesorio que no haya sido recomendado por el fabricante de este producto. El uso de aditamentos o accesorios diferentes a los recomendados podría provocar lesiones graves.

**⚠ ADVERTENCIA:** para evitar lesiones personales graves, retire el enchufe de la herramienta antes de hacer el mantenimiento, limpiar, cambiar accesorios o quitar material de la unidad.

## APLICACIONES

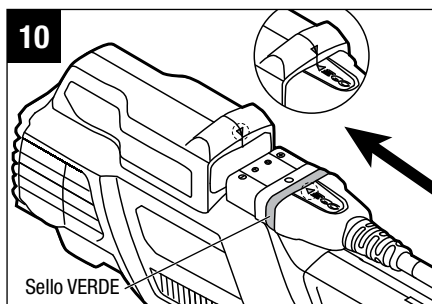
Puede usar este producto para los fines que se indican a continuación.

- Cortar el césped y malezas que rodeen porches, cercas y terrazas.
- Cortar el césped de difícil acceso para una podadora normal.

## CONEXIÓN Y DESCONEXIÓN DE LA BATERÍA

**NOTA:** Cargue completamente el paquete de baterías antes de usar por primera vez.

Esta orilladora tiene una conexión de enchufe exclusiva. Úsela con la batería tipo mochila EGO BAX1501 o con baterías portátiles EGO a través del conector tipo mochila.



1. Alinee las marcas "▲" en el enchufe de la batería y el dado eléctrico de la orilladora; luego, inserte el enchufe dentro de la orilladora hasta que el sello VERDE del enchufe desaparezca COMPLETAMENTE dentro del dado (Fig. 10).
2. Para desconectarla de la batería, jale el enchufe derecho del dado de inmediato.

## SUJECIÓN Y USO DE LA ORILLADORA (Fig. 11)

**⚠ ADVERTENCIA:** use ropa adecuada para reducir el riesgo de lesiones cuando opere esta herramienta. No use ropa holgada ni joyas. Use protección para los ojos y las orejas. Use pantalones largos para trabajo pesado, botas y guantes. No use pantalones cortos, sandalias, ni tenga los pies descalzos. Use una máscara o mascarilla antipolvo en lugares donde hay polvo.



Antes de utilizar la máquina, revise los alrededores para asegurarse de que no haya otras personas o animales en el área de trabajo. Asegúrese de que las demás personas estén a un mínimo de 100 pies (30 m). Despeje el área que va a cortar antes de cada uso. Retire todos los objetos como piedras, vidrios rotos, clavos, alambres o cordeles que puedan ser arrojados o atascarse en los accesorios de corte. Asegúrese de utilizar lentes de protección y ropa adecuada y de estar en una posición segura y equilibrada. Aún podrían existir riesgos para los transeúntes debido a los objetos disparados. Se debe pedir a los transeúntes que usen lentes de protección. Si se acercan, detenga el motor y el accesorio de corte de inmediato.

### **Revise si hay piezas dañadas o desgastadas antes de cada uso.**

Revise el cabezal de la orilladora, la protección y la agarradera y reemplace todas las piezas agrietadas, torcidas, dobladas o dañadas.

La cuchilla del hilo de corte en el borde de la protección puede desafilarse con el tiempo. Se recomienda que la afile con una lima o la reemplace por una cuchilla nueva.

**⚠ ADVERTENCIA:** siempre use guantes al montar o reemplazar la protección o al afilar o reemplazar la cuchilla. Observe la ubicación de la cuchilla en la protección y protéjase la mano para evitar lesiones.

### **Limpie la orilladora después de cada uso.**

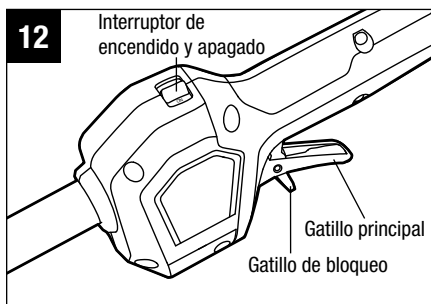
Para obtener instrucciones sobre la limpieza del producto, consulte la sección Mantenimiento.

**⚠ ADVERTENCIA:** nunca utilice agua para limpiar la orilladora. Evite utilizar solventes para limpiar las piezas de plástico. La mayoría de los plásticos son susceptibles a diferentes tipos de solventes comerciales. Utilice paños limpios para eliminar la suciedad, el polvo, el aceite, la grasa, etc.

## ARRANQUE Y DETENCIÓN DE LA ORILLADORA DE HILO

### Para arrancar

1. Presione el interruptor de bloqueo a la posición "ON" de encendido.
2. Mueva el gatillo de bloqueo hacia delante y luego presione el gatillo principal. La orilladora arrancará. Mientras más jale el gatillo principal, mayor será la velocidad de rotación del cabezal de la orilladora (Fig. 12).



### Para detenerla

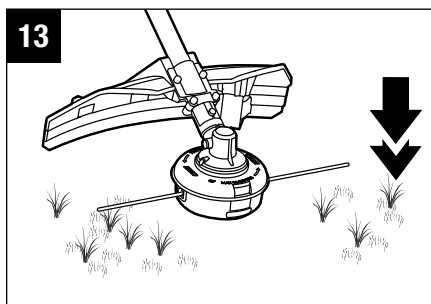
1. Aleje la orilladora del área de corte y suelte el gatillo principal para detener la herramienta.
2. Presione el interruptor de bloqueo a la posición "OFF" de apagado para evitar arranques accidentales.

**⚠ ADVERTENCIA:** siempre retire el enchufe de alimentación de la cortadora de orillas en los descansos y tras finalizar los trabajos.

**⚠ ADVERTENCIA:** asegúrese de que el interruptor de encendido/apagado esté en la posición "OFF" (apagado) antes del próximo uso, a fin de evitar lesiones personales graves.

### AJUSTE DEL HILO DE CORTE LARGO

El cabezal de corte permite al operador liberar más hilo de corte sin detener el motor. A medida que el hilo se deshilacha o desgasta, es posible que se libere hilo adicional al golpear levemente el cabezal de la orilladora en el suelo mientras opera la orilladora (Fig. 13).

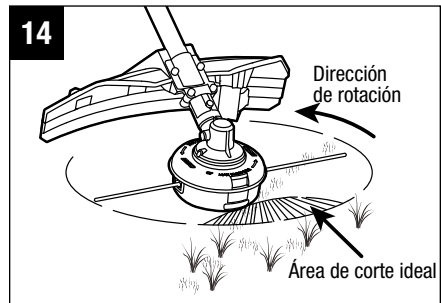


**⚠ ADVERTENCIA:** No retire ni modifique el ensamble de la cuchilla del hilo de corte. Un largo excesivo del hilo puede provocar que el motor se sobrecaliente y resultar en lesiones personales graves.

Para obtener mejores resultados, golpee el cabezal de la orilladora de hilo en un suelo sin plantas o en suelo duro. Mantenga siempre el hilo de corte completamente extendido. La liberación del hilo se hace más difícil a medida que este se hace más corto. Reemplace el hilo cuando sea necesario. Para obtener más información, consulte la sección "REEMPLAZO DEL HILO".

### Consejos para obtener mejores resultados de corte (Fig. 14)

- El ángulo correcto para el accesorio de corte es paralelo al suelo.
- No fuerce la herramienta. Permita que la punta del hilo realice el corte (especialmente contra las paredes). Si no corta solo con la punta, se reducirá la eficacia del corte y se podría sobrecargar el motor.
- El alto del corte está determinado por la distancia del hilo de corte desde la superficie del césped.
- El césped que supere las 8 pulgadas (200 mm) se deberá cortar de la parte superior a la parte inferior en Mueva lentamente la orilladora de hilo dentro y fuera del área que cortará y mantenga la posición del cabezal de corte en la altura de corte que desea. Este puede ser un movimiento hacia delante y hacia atrás, o de un lado a otro. El corte de medidas más reducidas produce mejores resultados.
- Evite el corte cuando el césped y las malezas estén mojados.
- Las cercas de alambre y de estacas pueden causar un desgaste excesivo o roturas. Las paredes de piedra o ladrillo, los bordillos y la madera pueden desgastar el hilo de corte rápidamente.
- Evite los árboles y arbustos. Los hilos de corte pueden dañar con facilidad la corteza de los árboles, las molduras de madera, los paneles de revestimiento y los postes de cercas.
- pequeñas cantidades para evitar el desgaste prematuro del hilo.

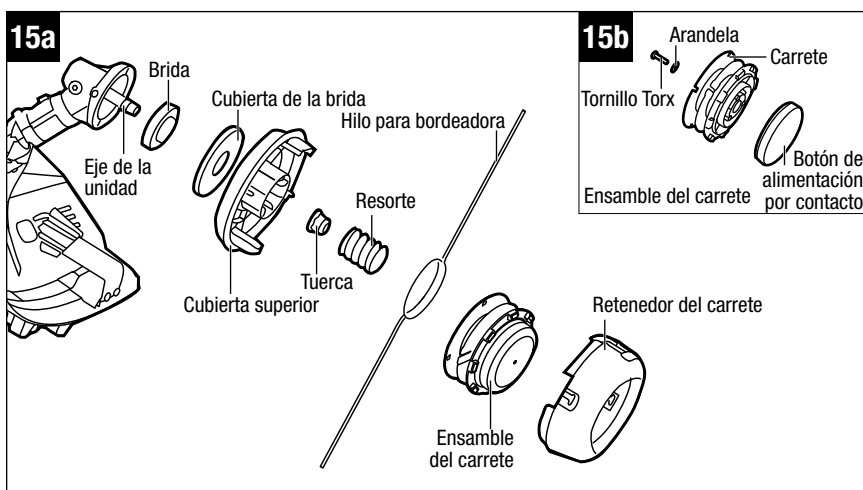


## REEMPLAZO DEL HILO

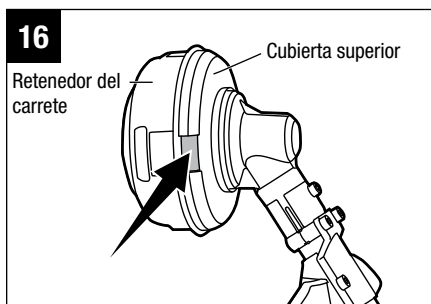
**AVISO:** use siempre el hilo de corte de nailon recomendado con un diámetro que no supere las 0,105 pulgadas (2,7 mm). Usar un hilo distinto al especificado puede causar que la herramienta se sobrecaliente o se dañe.

**⚠ ADVERTENCIA:** Nunca use hilo de metal reforzado, alambre, cuerda, etc. Estos podrían romperse y convertirse en un proyectil peligroso.

A modo de referencia, se muestra el ensamble del cabezal de la orilladora (Fig. 15a y Fig. 15b).



1. Retire el enchufe de alimentación de la orilladora.
2. Presione las lengüetas de liberación hacia adentro para destrabarlas de la cubierta superior. Luego, retire el retenedor del carrete (Fig. 16).
3. Retire el ensamblaje de carrete del retenedor del carrete. Use un paño limpio para limpiar la superficie interna del retenedor del carrete y la cubierta superior.



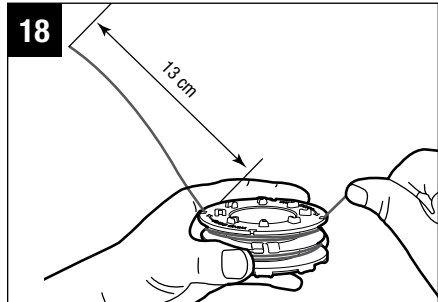
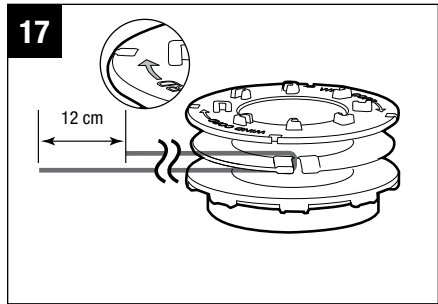


**AVISO:** siempre limpie por completo el retenedor del carrete y la cubierta superior antes de volver a ensamblar el cabezal de la orilladora.

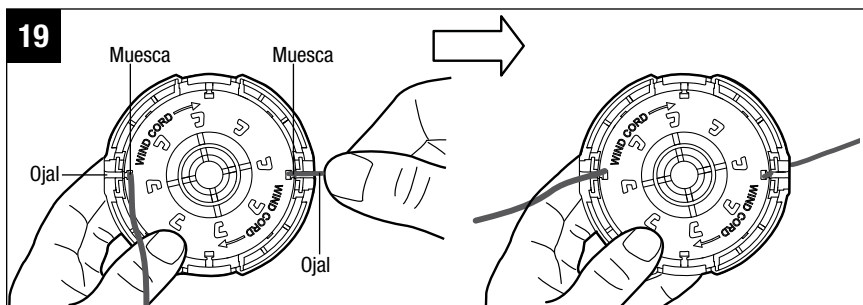
4. Revise que el retenedor del carrete, el ensamble de carrete y la cubierta superior no estén desgastados. El ensamble de carrete incluye el carrete y el botón de la alimentación por contacto, como así también el tornillo Torx y la arandela de sujeción. Para un funcionamiento seguro, reemplace las piezas desgastadas.
5. Tome aproximadamente 23 pies (7 m) o no más de 0,105 pulgadas (2,7 mm) de diámetro de hilo de corte. Doble el hilo por la mitad y luego ajústelo de manera que un extremo sea 4,7 pulgadas (12 cm) más largo que el otro.
6. Enganche el extremo doblado del hilo de corte en cualquiera de las ranuras en el ensamble del carrete y luego enróllelo, en dos capas iguales y apretadas, en la dirección que indica la flecha marcada en el carrete (Fig. 17).

**AVISO:** si el hilo no se enrolla en la dirección indicada, el cabezal de la orilladora no funcionará correctamente.

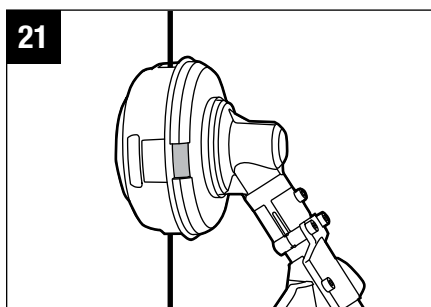
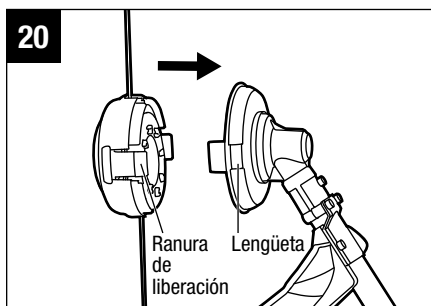
7. Coloque los extremos del hilo en las dos muescas opuestas en el ensamble de carrete, con aproximadamente 5 pulgadas (13 cm) de sobra (Fig. 18).



8. Alinee las muescas del ensamble de carrete en las que sobresalen los hilos de corte con los ojales en el retenedor del carrete y coloque el ensamble de carrete en el retenedor con el hilo de corte asegurado en las muescas (Fig. 19).



9. Alinee las lengüetas de liberación en el retenedor del carrete con las ranuras en la cubierta superior a fin de colocar el retenedor del carrete en la cubierta superior (Fig. 20). Asegúrese de que las lengüetas de liberación están pegadas a la pared interior de la cubierta superior y de que están ubicadas exactamente en las ranuras en ambos lados (Fig. 21).



**⚠ ADVERTENCIA:** Asegúrese de que las lengüetas de liberación en el retenedor del carrete calcen su lugar. De lo contrario, el ensamble de carrete se soltará durante el funcionamiento, lo que puede provocar lesiones personales graves.

## MANTENIMIENTO

**⚠ ADVERTENCIA:** al realizar mantenimiento, utilice solo piezas de repuesto idénticas a las de fabricación. El uso de cualquier otra pieza puede crear un peligro o causar daños en el producto. Para garantizar la seguridad y confiabilidad, toda reparación debe ser realizada solo por concesionario o distribuidor autorizado por EGO.

**⚠ ADVERTENCIA:** para evitar lesiones personales graves, retire siempre el cable eléctrico del producto cuando realice limpieza o cualquier tipo de mantenimiento.

Un concesionario o distribuidor autorizado por EGO debe realizar todo el mantenimiento de la orilladora, aparte de los artículos en la lista de estas instrucciones de mantenimiento.

### MANTENIMIENTO GENERAL

Evite utilizar solventes para limpiar las piezas de plástico. La mayoría de los plásticos tienden a dañarse con los distintos tipos de solventes comerciales. Utilice un paño limpio para eliminar la suciedad, el polvo, el aceite, la grasa, etc.

**⚠ ADVERTENCIA:** Nunca deje que el líquido de frenos, la gasolina, los productos a base de petróleo, los aceites penetrantes, etc. entren en contacto con las piezas plásticas. Los productos químicos pueden dañar, debilitar o destruir el plástico, lo que puede resultar en lesiones graves.

**⚠ ADVERTENCIA:** al limpiar la herramienta, NO la sumerja en agua ni en ningún otro líquido.

### LIMPIEZA

- Retire el enchufe de alimentación de la orilladora.
- Después de cada uso, use un cepillo suave para limpiar los desechos, la suciedad obstruida, el césped de la cuchilla, la protección o el césped que se pueda haber enredado alrededor del eje de la unidad o el cabezal de la orilladora.
- Limpie la superficie de la herramienta con un paño limpio humedecido con una solución de detergente suave.
- Use un cepillo pequeño o una aspiradora pequeña para limpiar los orificios de ventilación de la carcasa posterior. Mantenga los orificios de ventilación libres de obstrucciones.
- no utilice detergentes fuertes en el armazón de plástico o en la manija. Pueden dañarse con ciertos aceites aromáticos, como pino y limón, y con solventes como el queroseno. La humedad también puede ocasionar riesgo de descarga eléctrica. Limpie la humedad con un paño suave y seco.

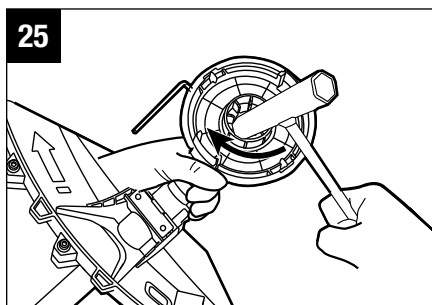
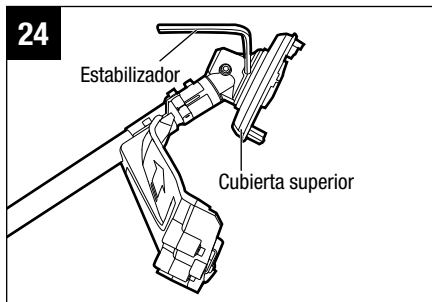
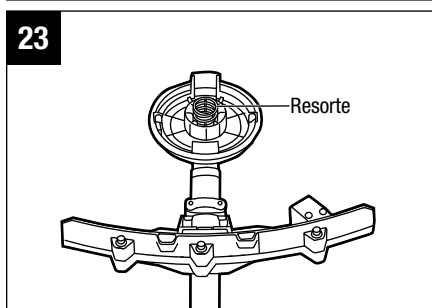
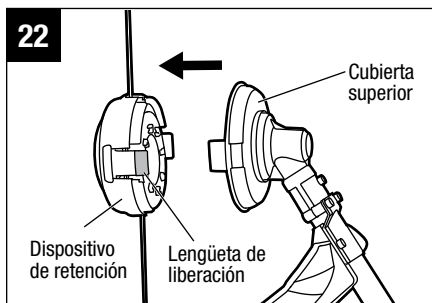
## REEMPLAZO DEL CABEZAL DE LA ORILLADORA

**⚠ ADVERTENCIA:** Si el cabezal se afloja luego de fijarlo en su posición, reemplácelo de inmediato. Nunca use una orilladora con un accesorio de corte suelto. Reemplace los cabezales agrietados, dañados o gastados de inmediato, aunque el daño se limite a grietas superficiales. Dichos accesorios podrían desprenderse a alta velocidad y provocar lesiones graves.

Antes del reemplazo, consulte las imágenes Fig. 15a y Fig. 15b para familiarizarse con el ensamble del cabezal de la orilladora.

### Extracción del cabezal de la orilladora

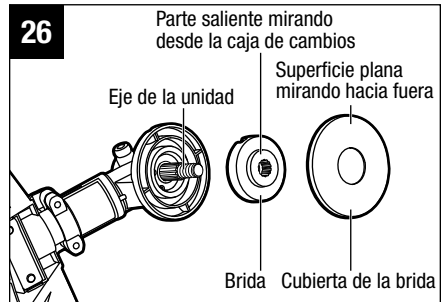
1. Retire el enchufe de alimentación de la orilladora.
2. Presione las lengüetas de liberación hacia adentro para destrabarlas de la cubierta superior. Luego, retire el retenedor del carrete (Fig. 22).
3. Retire el ensamble de carrete del retenedor del carrete.
4. Retire el resorte del eje de la unidad (Fig. 23).
5. Gire la cubierta superior para alinear la ranura en el reborde con el orificio de traba del eje en la caja de cambios y coloque la llave Allen provista en los orificios alineados para que actúe como un estabilizador (Fig. 24).



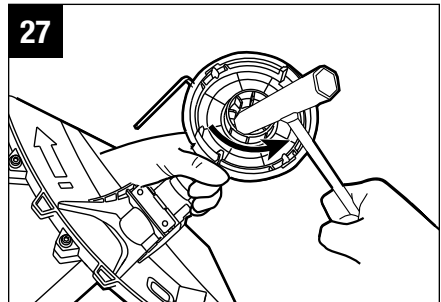
- Use guantes. Utilice la llave multiuso provista para aflojar la tuerca interior EN DIRECCIÓN DE LAS MANECILLAS DEL RELOJ (Fig. 25). Retire la tuerca y, luego, la cubierta superior. Guarde el reborde y la cubierta de este en el eje de la unidad para volver a armar el ensamble.

## Instalación del cabezal de la orilladora nuevo

- Antes de instalar el nuevo cabezal de la orilladora, asegúrese de que el reborde esté ubicado en el eje de la unidad con la parte saliente sin mirar hacia la caja de cambios y de que la cubierta del reborde esté sobre este, con la superficie plana mirando hacia afuera (Fig. 26).



- Retire el nuevo cabezal de la orilladora y ábralo. Coloque la cubierta superior en el eje y preapriétela manualmente con la tuerca.
- Gire la cubierta superior para alinear la ranura del reborde con el orificio de traba del eje en la caja de cambios y coloque la llave Allen provista en los orificios alineados para que actúe como un estabilizador (consulte la Fig. 24).
- Use guantes. Use la llave multiuso provista para apretar la tuerca interna firmemente EN DIRECCIÓN CONTRARIA A LAS MANECILLAS DEL RELOJ (Fig. 27).
- Coloque el resorte en el eje de la unidad (consulte la Fig. 23).
- Enrolle el hilo de la orilladora en el ensamble de carrete y coloque el ensamble de carrete en el retenedor del carrete. Consulte la sección "REEMPLAZO DEL HILO".



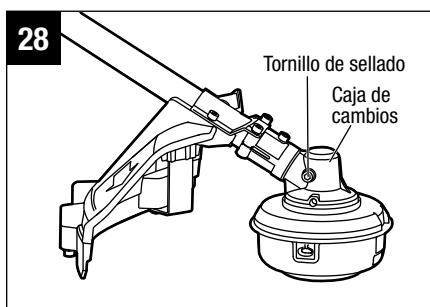
## AFILADO DE LA CUCHILLA DE CORTE LINEAL

**⚠ ADVERTENCIA:** siempre proteja las manos con guantes para trabajo pesado cuando realice el mantenimiento de la cuchilla del hilo de corte.

1. Retire la cuchilla de corte lineal del accesorio de la protección.
2. Asegure la cuchilla en una prensa de tornillo.
3. Use guantes y lentes de protección adecuados y tenga cuidado de no cortarse.
4. Lime cuidadosamente los bordes de corte de la cuchilla con una lima de dientes finos o una piedra de afilar, y tenga cuidado de mantener el borde de corte original.
5. Reemplace la cuchilla en la protección y asegúrela con los dos tornillos.

## CÓMO LUBRICAR EL ENSAMBLE DE ACCIONAMIENTO

Para un mejor funcionamiento y una vida útil prolongada, lubrique el ensamble de accionamiento de la orilladora con una grasa especial, tal como se describe a continuación cada 50 horas de operación. Retire el tornillo de sellado en la caja de cambios con la llave Allen provista y aplique la grasa en el orificio de aceite, hasta 0,011 lb (5 g) (Fig. 28). **NO LLENE LA CAJA DE VELOCIDADES POR COMPLETO CON LA GRASA.**



La grasa debe cumplir con los siguientes requisitos:

- Penetración de grado NLGI: NLGI-1
- Tipo de aglutinante: éster
- Rango recomendado de temperatura para el funcionamiento: -40 °C a 180 °C (-40 °F a 356 °F)
- Además de lo expuesto anteriormente, la grasa también debe tener una temperatura baja de arranque excelente, presión extrema (EP, por sus siglas en inglés), recortes mecánicos, resistencia a la abrasión y propiedades de estabilidad oxidante.

## TRANSPORTE Y ALMACENAJE

- Haga una limpieza profunda de la herramienta antes de almacenarla.
- Almacene la herramienta en un lugar seco y cerrado, fuera del alcance de niños.
- Mantenga alejada de agentes corrosivos, como productos químicos para jardín y sales para derretir hielo.

# SOLUCIÓN DE PROBLEMAS

PROBLEMA	CAUSA	SOLUCIÓN
No arranca/deja de funcionar	<ul style="list-style-type: none"> <li>■ El enchufe de alimentación no está conectado correctamente.</li> <li>■ El paquete de baterías portátil EGO o la batería tipo mochila EGO están agotados.</li> <li>■ La batería o la orilladora están demasiado calientes.</li> <li>■ El motor de la orilladora está sobrecargado.</li> </ul>	<ul style="list-style-type: none"> <li>■ Vuelva a insertar el enchufe del cable de alimentación, asegurándose de que el sello VERDE del enchufe desaparezca COMPLETAMENTE en el dado.</li> <li>■ Según el tipo de batería, elija el cargador adecuado para cargarla.</li> <li>■ Desconecte el paquete de baterías de la orilladora y deje enfriar hasta que la temperatura de la batería o de la orilladora descienda por debajo de los 152 °F (67 °C).</li> <li>■ El motor se recuperará cuando se retire la carga. Para un funcionamiento continuo, reduzca la carga de la orilladora. Evite usar un hilo de corte muy largo o grande o realizar cortes en arbustos densos o leñosos.</li> </ul>
Hay ruidos o vibración excesivos.	<ul style="list-style-type: none"> <li>■ La grasa en la caja de cambios está casi agotada.</li> <li>■ El hilo de corte no está equilibrado.</li> </ul>	<ul style="list-style-type: none"> <li>■ Lubrique los ensambles de accionamiento en la caja de cambios. Consulte la sección "<b>CÓMO LUBRICAR EL ENSAMBLE DE ACCIONAMIENTO</b>" de este manual.</li> <li>■ Golpee suavemente el cabezal de la orilladora en el suelo mientras lo hace funcionar. Si es necesario, golpee varias veces.</li> </ul>

PROBLEMA	CAUSA	SOLUCIÓN
<p>Al realizar cortes, el cabezal de la orilladora no avanza el hilo.</p>	<ul style="list-style-type: none"> <li>■ Hay césped enredado en el eje de la unidad o en el cabezal de la orilladora.</li> <li>■ No hay suficiente hilo en el carrete.</li> <li>■ El hilo de la orilladora está enredado en el cabezal de la orilladora.</li> <li>■ El hilo de la orilladora es demasiado corto.</li> </ul>	<ul style="list-style-type: none"> <li>■ Detenga la orilladora, desconecte el cable eléctrico y luego limpie por completo el eje de la unidad o el cabezal de la orilladora.</li> <li>■ Desconecte el cable eléctrico y reemplace con hilo de corte nuevo. Consulte la sección "<b>REEMPLAZO DEL HILO</b>" de este manual.</li> <li>■ Desconecte el cable eléctrico y vuelva a cargar el hilo de corte. Consulte la sección "<b>REEMPLAZO DEL HILO</b>" de este manual.</li> <li>■ Desconecte el cable eléctrico y jale los hilos de forma manual mientras presiona y suelta alternadamente el cabezal de la orilladora.</li> </ul>
<p>Al realizar cortes, el césped se enreda alrededor del cabezal de la orilladora.</p>	<ul style="list-style-type: none"> <li>■ Césped alto cortado a nivel del suelo.</li> </ul>	<ul style="list-style-type: none"> <li>■ Corte el césped alto desde la parte superior. Para evitar que el césped se enrede, no corte más de 8 pulgadas por cada cortada.</li> </ul>
<p>Al realizar cortes, la cuchilla de corte lineal en la protección no puede cortar el hilo.</p>	<ul style="list-style-type: none"> <li>■ La cuchilla de corte lineal en el borde de la protección se desafiló.</li> </ul>	<ul style="list-style-type: none"> <li>■ Afíle la cuchilla de corte lineal con una lima o reemplácela por una cuchilla nueva.</li> </ul>
<p>Hay fisuras en el cabezal de la orilladora, o el retenedor del carrete se afloja con la cubierta superior.</p>	<ul style="list-style-type: none"> <li>■ El cabezal de la orilladora está gastado.</li> </ul>	<ul style="list-style-type: none"> <li>■ Antes de seguir usando la herramienta, reemplace con un cabezal de la orilladora nuevo. Consulte la sección "<b>REEMPLAZO DEL CABEZAL DE LA ORILLADORA</b>" de este manual.</li> </ul>



# GARANTÍA

## POLÍTICA DE GARANTÍA

Garantía limitada de 5 años en equipos de energía para exteriores y energía portátil EGO POWER+ para uso doméstico personal.

Garantía limitada de 3 años en paquetes de baterías y cargadores con el Sistema EGO POWER+ para uso doméstico personal.

Garantía limitada de 2 años/1 año en equipos de energía para exteriores, energía portátil, paquetes de baterías y cargadores EGO para uso profesional y comercial.

Los períodos de garantía detallados por productos se pueden encontrar en línea en <http://egopowerplus.com/pages/warranty-policy>.

**Póngase en contacto con Servicio al Cliente de EGO de manera gratuita al 1-855-EGO-5656**, cuando tenga preguntas o reclamaciones de garantía.

## GARANTÍA LIMITADA DE SERVICIO

Los productos EGO están garantizados contra defectos de material o de fabricación a partir de la fecha de compra original al por menor durante el período de garantía aplicable. El producto defectuoso será reparado gratuitamente.

- a) Esta garantía se aplica solo al comprador original del distribuidor minorista autorizado de EGO y podría no ser transferible. Los distribuidores minoristas autorizados de EGO se identifican en línea, en <http://egopowerplus.com/pages/warranty-policy>.
- b) El período de garantía para productos reacondicionados o certificados de fábrica que se utilizan para fines residenciales es de 1 año, para fines industriales, profesionales o comerciales es de 90 días.
- c) El período de garantía para piezas del mantenimiento de rutina, incluidas, entre otras, cuchillas, cabezales de orilladoras, listones de cadenas, cadenas de motosierras, correas, barras raspadoras, boquillas de sopladores y todos los demás accesorios EGO, es de 90 días con fines residenciales y de 30 días para propósitos industriales, profesionales o comerciales. Estas piezas tienen cobertura durante 90/30 días por defectos de fabricación en condiciones normales de trabajo.
- d) Esta garantía queda nula si el producto se ha puesto en alquiler.
- e) Esta garantía no cubre daños producto de modificaciones, alteraciones o reparaciones no autorizadas.

- f) Esta garantía solo cubre defectos que surjan del uso normal y no cubre el mal funcionamiento, las fallas ni los defectos que resulten del mal uso, el abuso (que incluye la sobrecarga del producto más allá de su capacidad y sumergirlo en agua o en cualquier otro líquido), accidentes, negligencia o falta de instalación adecuada y mantenimiento o almacenamiento inadecuados.
- g) Esta garantía no cubre el deterioro normal del acabado exterior, incluidos, entre otros, rayones, abolladuras, trozos de pintura o cualquier corrosión o decoloración producida por el calor o limpiadores químicos y abrasivos.

## CÓMO OBTENER EL SERVICIO

Para obtener el servicio de garantía, póngase en contacto con Servicio al Cliente de EGO de manera gratuita al **1-855-EGO-5656**. Cuando pida un servicio cubierto por la garantía, debe presentar el recibo con la fecha original de venta. Un centro de servicio autorizado será seleccionado para reparar el producto de acuerdo con los términos establecidos en la garantía. Cuando lleve el producto al centro de servicio autorizado, es posible que deba hacer un pequeño depósito cuando deje la herramienta. Este depósito se reembolsará cuando se considere que el servicio de reparación se haya cubierto con la garantía.

## LIMITACIONES ADICIONALES

En la medida en que la ley aplicable lo permita, se deniegan todas las garantías implícitas, inclusive las garantías de COMERCIALIZIDAD o IDONEIDAD PARA UN PROPÓSITO ESPECÍFICO. Todas las garantías implícitas, inclusive las garantías de comerciabilidad o idoneidad para un propósito específico, que no se puedan denegar bajo la ley estatal, están limitadas al período de garantía aplicable definido al comienzo de este artículo.

Chervon North America no se hará responsable por daños directos, indirectos, accidentales o resultantes.

Algunos estados no permiten limitaciones con respecto a la duración de una garantía implícita y/o no permiten la exclusión o limitación de daños accidentales o resultantes, de modo que las limitaciones antes descritas podrían no aplicarse en su caso.

Esta garantía le otorga derechos legales específicos, pero podría tener también otros derechos que varían según el estado.

Para obtener el servicio al cliente, póngase en contacto con nosotros de manera gratuita al: **1-855-EGO-5656** o visite: **EGOPOWERPLUS.COM**  
EGO Customer Service, 769 SEWARD AVE NW / Suite 102 Grand Rapids, MI 49504