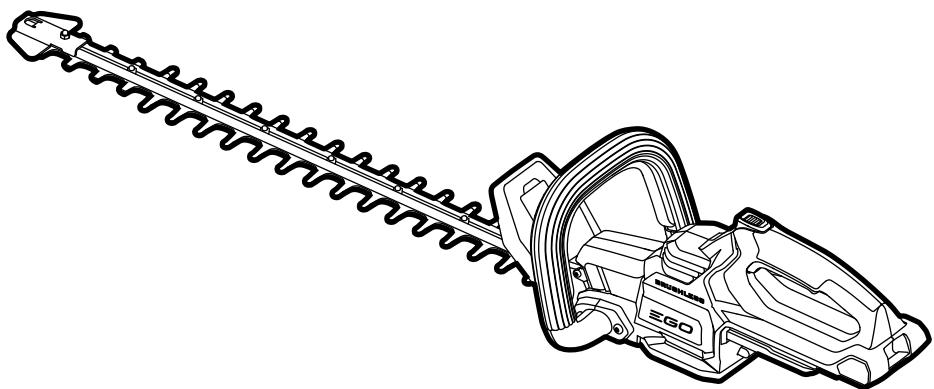


EGO™

POWER⁺ HEDGE TRIMMER



OPERATOR'S MANUAL

56-VOLT LITHIUM-ION CORDLESS HEDGE TRIMMER

MODEL NUMBER HT2410

Français p. 27

Español p. 57

⚠ WARNING: To reduce the risk of injury, the user must read and understand the Operator's Manual before using this product. Save these instructions for future reference.

TABLE OF CONTENTS

Safety Symbols	4
Safety Instructions.....	5-11
Introduction	12
Specifications	12
Assembly	13
Packing List.....	13
Description	14-15
Operation	16-20
Maintenance	21-22
Troubleshooting.....	23
Warranty	24-25

READ ALL INSTRUCTIONS!



**READ & UNDERSTAND
OPERATOR'S MANUAL**

⚠ WARNING: Some dust created by power cutting contains chemicals known to the state of California to cause cancer, birth defects or other reproductive harm. Some examples of these chemicals are:

- Lead from lead-based paints
- Crystalline silica from bricks and cement and other masonry products, and
- Arsenic and chromium from chemically-treated lumber.

Your risk from these exposures varies, depending on how often you do this type of work. To reduce your exposure to these chemical: work in a well-ventilated area, and work with approved safety equipment, such as those dust masks that are specially designed to filter out microscopic particles.

SAFETY SYMBOLS

The purpose of safety symbols is to attract your attention to possible dangers. The safety symbols and the explanations with them deserve your careful attention and understanding. The symbol warnings do not, by themselves, eliminate any danger. The instructions and warnings they give are no substitutes for proper accident prevention measures.

⚠ WARNING: Be sure to read and understand all safety instructions in this Operator's Manual, including all safety alert symbols such as "DANGER," "WARNING," and "CAUTION" before using this tool. Failure to following all instructions listed below may result in electric shock, fire, and/or serious personal injury.

SYMBOL MEANING






⚠ SAFETY ALERT SYMBOL: Indicates DANGER, WARNING, OR CAUTION. May be used in conjunction with other symbols or pictographs.




⚠ WARNING! The operation of any power tools can result in foreign objects being thrown into your eyes, which can result in severe eye damage. Before beginning power tool operation, always wear safety goggles or safety glasses with side shield and a full-face shield when needed. We recommend a Wide Vision Safety Mask for use over eyeglasses or standard safety glasses with side shields. Always use eye protection which is marked to comply with ANSI Z87.1.

SAFETY INSTRUCTIONS

This page depicts and describes safety symbols that may appear on this product. Read, understand, and follow all instructions on the machine before attempting to assemble and operate.

	Safety Alert	Indicates a potential personal injury hazard.
	Read & Understand Operator's Manual	To reduce the risk of injury, user must read and understand the operator's manual before using this product.
	Eye Protection	Always wear safety goggles or safety glasses with side shields and a full face shield when operating this product.
	Danger- Keep Hands Away from Blades	Contact with blade will result in serious personal injury.
	Recycle Symbols	This product uses lithium-ion (Li-ion) batteries. Local, state, or federal laws may prohibit disposal of batteries in ordinary trash. Consult your local waste authority for information regarding available recycling and/or disposal options.
IPX4	Ingress Protection Degree	Protection from splashing water
V	Volt	Voltage
mm	Millimeter	Length or size
in.	Inch	Length or size

	Direct Current	Type or a characteristic of current
n_0	No-Load Speed	Rotational speed, at no load
SPM	Strokes Per Minute	Stroke speed, at no load
kg	Kilogram	Weight
lb	Pound	Weight

GENERAL POWER TOOL SAFETY WARNINGS

⚠ WARNING: Read all safety warnings and instructions. Fail to follow the warnings and instructions may result in electric shock, fire and/or serious injury.

Save all warnings and instructions for future reference.

The term “power tool” in the warning refers to your mains-operated (corded) power tool or battery-operated (cordless) power tool.

WORK AREA SAFETY

- **Keep work area clean and well lit.** Cluttered or dark areas invite accidents.
- **Do not operate power tools in explosive atmospheres, such as in the presence of flammable liquids, gases or dust.** Power tools create sparks which may ignite the dust or fumes.
- **Keep children and bystanders away while operating a power tool.** Distractions can cause you to lose control.

ELECTRICAL SAFETY

- **Power tool plugs must match the outlet. Never modify the plug in any way. Do not use any adapter plugs with earthed (grounded) power tools.** Unmodified plugs and matching outlets will reduce risk of electric shock.
- **Avoid body contact with earthed or grounded surfaces, such as pipes, radiators, ranges and refrigerators.** There is an increased risk of electric shock if your body is earthed or grounded.
- **Do not abuse the cord. Never use the cord for carrying, pulling or unplugging the power tool. Keep cord away from heat, oil, sharp edges or moving parts.** Damaged or entangled cords increase the risk of electric shock.
- **When operating a power tool outdoors, use an extension cord suitable for outdoor use.** Use of a cord suitable for outdoor use reduces the risk of electric shock.
- If operating a power tool in a damp location is unavoidable, use a GFCI protected supply. Use of a GFCI reduces the risk of electric shock.

PERSONAL SAFETY

- **Stay alert, watch what you are doing and use common sense when operating a power tool. Do not use a power tool while you are tired or under the influence of drugs, alcohol or medication.** A moment of inattention while operating power tools may result in serious personal injury.
- **Use personal protective equipment. Always wear eye protection.** Protective equipment such as dust mask, non-skid safety shoes, hard hat, or hearing protection used for appropriate conditions will reduce personal injuries.
- **Prevent unintentional starting. Ensure the switch is in the off-position before connecting to power source and/or battery pack, picking up or carrying the tool.** Carrying power tools with your finger on the switch or energizing power tools that have the switch on invites accidents.
- **Remove any adjusting key or wrench before turning the power tool on.** A wrench or a key left attached to a rotating part of the power tool may result in personal injury.
- **Do not overreach. Keep proper footing and balance at all times.** This enables better control of the power tool in unexpected situations.
- **Dress properly. Do not wear loose clothing or jewelry. Keep your hair, clothing and gloves away from moving parts.** Loose clothes, jewelry or long hair can be caught in moving parts.
- **If devices are provided for the connection of dust extraction and collection facilities, ensure these are connected and properly used.** Use of dust devices can reduce dust-related hazards.

POWER TOOL USE AND CARE

- **Do not force the power tool. Use the correct power tool for your application.** The correct power tool will do the job better and more safely at the rate for which it was designed.
- **Do not use the power tool if the switch does not turn it on and off.** Any power tool that cannot be controlled with the switch is dangerous and must be repaired.
- **Disconnect the plug from the power source and/or the battery pack from the power tool before making any adjustments, changing accessories, or storing power tools.** Such preventive safety measures reduce the risk of starting the power tool accidentally.

- **Store idle power tools out of the reach of children and do not allow persons unfamiliar with the power tool or these instructions to operate the power tool.** Power tools are dangerous in the hands of untrained users.
- **Maintain power tools. Check for misalignment or binding of moving parts, breakage of parts and any other condition that may affect the power tools operation. If damaged, have the power tool repaired before use.** Many accidents are caused by poorly maintained power tools.
- **Keep cutting tools sharp and clean.** Properly maintained cutting tools with sharp cutting edges are less likely to bind and are easier to control.
- **Use the power tool, accessories, tool bits, etc. in accordance with these instructions, taking into account the working conditions and the work to be performed.** Use of the power tool for operations different from those intended could result in a hazardous situation.

BATTERY TOOL USE AND CARE

- **Recharge only with the charger specified by the manufacturer.** A charger that is suitable for one type of battery pack may create a risk of fire when used with another battery pack.
- **Use power tools only with specifically designated battery packs.** Use of any other battery packs may create a risk of injury and fire.
- **When battery pack is not in use, keep it away from other metal objects, like paper clips, coins, keys, nails, screws or other small metal objects that can make a connection from one terminal to another.** Shorting the battery terminals together may cause burns or a fire.
- **Under abusive conditions, liquid may be ejected from the battery; avoid contact. If contact accidentally occurs, flush with water.** If liquid contact eyes, additionally seek medical help. Liquid ejected from the battery may cause irritation or burns.

SERVICE

- **Have your power tool serviced by a qualified repair person using only identical replacement parts.** This will ensure that the safety of the power tool is maintained.

HEDGE TRIMMER SAFETY WARNINGS

⚠ DANGER – Keep hands away from blade. Contact with blade will result in serious personal injury.

- **Keep all parts of the body away from the cutter blade. Do not remove cut material or hold material to be cut when blades are moving. Make sure the switch is off when clearing jammed material. Blades coast after turn off.** A moment of inattention while operating the hedge trimmer may result in serious personal injury.
- **Carry the hedge trimmer by the handle with the cutter blade stopped.** Proper handling of the hedge trimmer will reduce possible personal injury from the cutter blades.
- **Hold the power tool by insulated gripping surfaces only, because the cutter blade may contact hidden wiring.** Cutter blades contacting a “live” wire may make exposed metal parts of the power tool “live” and could give the operator an electric shock.
- **Keep cable away from cutting area.** During operating the cable may be hidden in shrubs and can be accidentally cut by the blade.
- **Use both hands when operating the hedge trimmer. Using one hand could cause loss of control and result in serious personal injury.**

IMPORTANT SAFETY INSTRUCTIONS

- Do not charge the battery pack in rain, or in wet locations.
- Use only with the battery packs and chargers listed below:

BATTERY	CHARGER
BA1120, BA1400, BA2240	CH2100
BA2800, BA4200	CH5500

- Do not grasp the exposed cutting blades or cutting edges when picking up or holding the hedge trimmer.
- Do not use on a ladder, rooftop, tree, or other unstable support. Stable footing on a solid surface enables better control of the hedge trimmer in unexpected situations.
- Never allow children to operate the hedge trimmer.

- Never remove or tamper with safety devices. Check their proper operation regularly. Never do anything to interfere with the intended function of a safety device or to reduce the protection provided by a safety device.
- Never operate the hedge trimmer without proper guards, plates, or other safety protective devices in place.
- Check damaged parts before further use of the hedge trimmer. Any part that is damaged should be carefully checked to determine that it will operate properly and perform its intended function. Check for alignment of moving parts, binding of moving parts, breakage of parts, mounting, and any other condition that may affect its operation. Any part that is damaged should be properly repaired or replaced by an authorized service center unless indicated elsewhere in this manual.
- Check the blade and motor mounting bolts at frequent intervals for proper tightness. Also, visually inspect blade for damage (e.g., bent, cracked, and worn). Replace the blade only with a blade from the original equipment manufacturer (OEM).
- Replace the blade if it is bent or cracked. An unbalanced blade causes vibration that could damage the motor drive unit or cause personal injury.
- If the equipment should start to vibrate abnormally, stop the motor and check immediately for the cause. Vibration is generally a warning of trouble.
- The trimmer shall be used to cut stems less than 1 in. (26mm) thick.
- Trim only in daylight or in good artificial light.
- Remove or disconnect battery before servicing, cleaning, or removing material from the hedge trimmer.
- Do not wash with a hose; avoid getting water in motor and electrical connections.
- When servicing use only identical replacement parts listed in this manual. Use of parts which do not meet the original equipment specifications may lead to improper performance and compromised safety.
- Follow instructions for lubricating and changing accessories.
- Keep handles dry, clean and free from oil and grease.
- **Save these instructions.** Refer to them frequently and use them to instruct others who may use this tool. If you loan this tool to someone else, also loan these instructions to them to prevent misuse of the product and possible injury.

SAVE THESE INSTRUCTIONS!

INTRODUCTION

Congratulations on your selection of the new 56V Lithium-ion powered hedge trimmer. It has been designed, engineered and manufactured to give you the best possible dependability and performance.


Should you experience any problem you cannot easily remedy, please contact EGO customer service center 1-855-EGO-5656.

This manual contains important information on to the safe assembly, operation and maintainance of your product. Read it carefully before using the product. Keep this manual handy so you can refer to it at any time.

SERIAL NUMBER _____ DATE OF PURCHASE _____

YOU SHOULD RECORD BOTH SERIAL NUMBER AND DATE OF PURCHASE AND KEEP THEM IN A SAFE PLACE FOR FUTURE REFERENCE

SPECIFICATIONS

Voltage	56V 
No Load Speed (n_0)	3000 SPM
Cutting Length	24 in. (610 mm)
Weight (Without battery pack, blade guard)	6.16 lb. (2.80kg)

ASSEMBLY

⚠ WARNING: If any parts are damaged or missing, do not operate this product until the parts are replaced. Use of this product with damaged or missing parts could result in serious personal injury.

⚠ WARNING: Do not attempt to modify this product or create accessories not recommended for use with this product. Any such alteration or modification is misuse and could result in a hazardous condition leading to possibly serious personal injury.

⚠ WARNING: To prevent accidental starting that could cause serious personal injury, always remove the battery pack from the tool when assembling parts, making adjustments, cleaning, or when not in use.

UNPACKING

This product has been shipped completely assembled.

- Carefully remove the product and any accessories from the box. Make sure that all items listed in the packing list are included.
- Inspect the tool carefully to make sure that no breakage or damage occurred during shipping.
- Do not discard the packing material until you have carefully inspected and satisfactorily operated the tool.
- If any parts are damaged or missing, please return the product to the place of purchase.

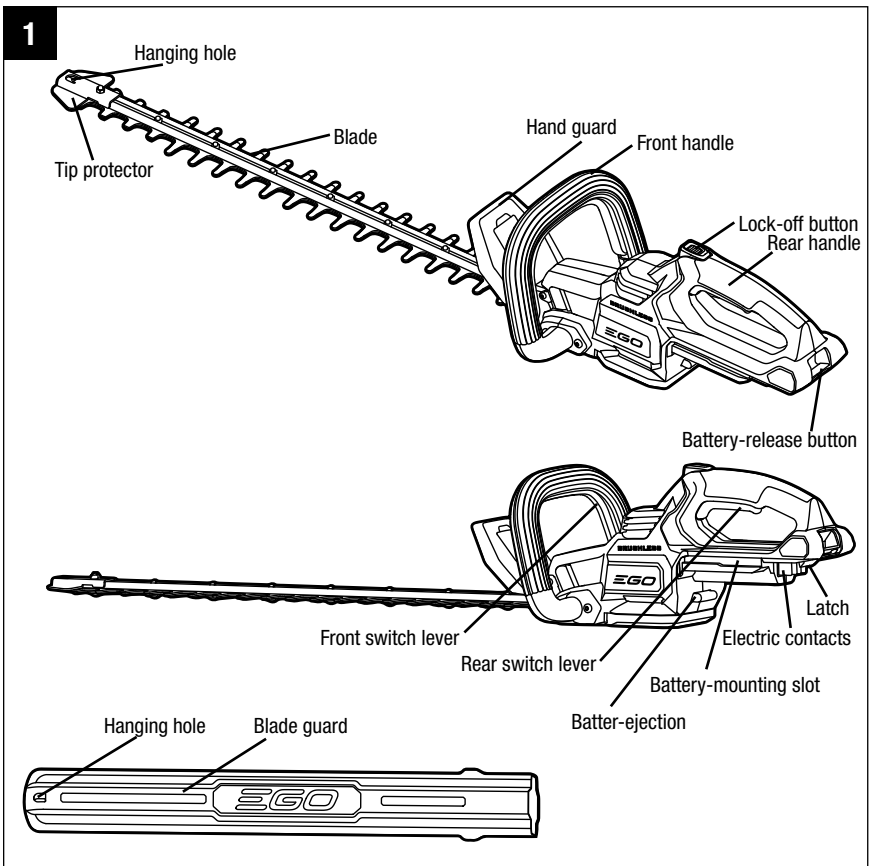
PACKING LIST

PART NAME	QUANTITY
Hedge Trimmer	1
Blade Guard	1
Operator's Manual	1

DESCRIPTION

KNOW YOUR HEDGE TRIMMER (Fig.1)

The safe use of this product requires an understanding of the information on the tool and in this operator's manual, as well as knowledge of the project you are attempting. Before using this product, familiarize yourself with all operating features and safety rules.



Hand Guard

Helps to protect the operator's hands; deflects chips or other debris away from the operator.

Front Handle

For easy control of the tool.

Rear Handle

Ergonomic handle with overmold improves comfort and grip.

Lock-off Button

Helps to prevent accidental or unauthorized activation of the switch lever. It must be depressed before the trigger switch can be activated.

Front Switch Lever/Rear Switch Lever

The hedge trimmer can be started only if both switch levers (in rear and front of the handle) are depressed simultaneously.

Blades

Hardened steel blades for cutting hedges and shrubs.

Blade Guard

The blade guard keeps the operator from coming in contact with the sharp blades when the tool is not in use. It also helps keep the blades from being nicked or damaged when the tool is in transportation and storage.

Tip Protector

Protects the outer end of the blade.

Battery-Release Button

Press to release the battery pack from the tool.

Latch

Locks the battery pack in place when installed on the tool.

Battery-ejection

Aids in removing the battery.

OPERATION

⚠ WARNING: Do not allow familiarity with this product to make you careless. Remember that a careless fraction of a second is sufficient to inflict serious injury.

⚠ WARNING: Always wear eye protection that complies with ANSI Z87.1. Failure to do so could result in objects being thrown into your eyes and other possible serious injuries.

⚠ WARNING: Do not use any attachments or accessories not recommended by the manufacturer of this product. The use of attachments or accessories not recommended can result in serious personal injury.

⚠ WARNING: To prevent serious personal injury, remove the battery pack from the tool before servicing, cleaning, changing attachments or removing material from the unit.

Before each use, inspect the entire product for damaged, missing, or loose parts such as screws, nuts, bolts, caps, etc. Securely tighten all fasteners and caps and do not operate this product until all missing or damaged parts are replaced.

APPLICATIONS

You may use this product for the purposes listed below.

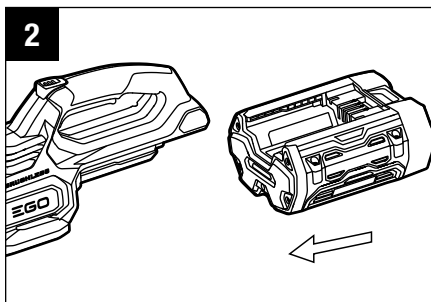
- Trimming hedges, shrubs, and bushes with branch diameters less than 1 in. (26 mm).

TO INSTALL/REMOVE BATTERY PACK (Fig. 2 & 3)

NOTE: Fully charge the battery pack before first use.

To Install Battery Pack (Fig. 2)

- Align the ribs of the battery pack with the battery-mounting slots on the hedge trimmer.
- Slide the battery pack in until it snaps into position.

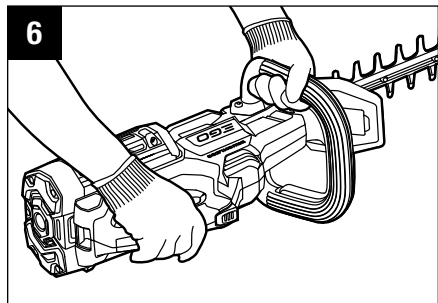
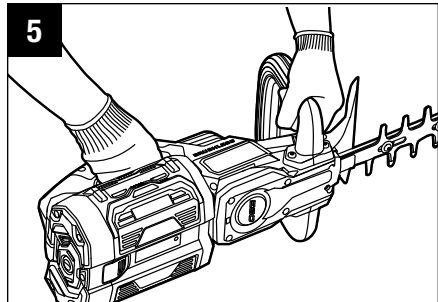
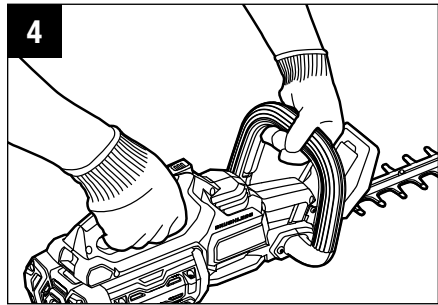
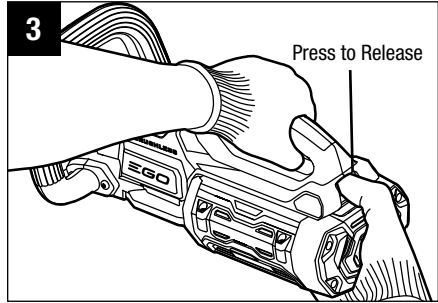


NOTE: Make sure that the latch on the hedge trimmer snaps into place and the battery pack is secured to the tool before beginning operation.

To Remove Battery Pack (Fig. 3)

⚠ WARNING: Always be aware for the location of your feet, children, or pets when pressing the battery-release button. Serious injury could result if the battery pack falls. NEVER remove the battery pack at a high location.

- Press the battery-release button; the battery pack will disengage from the latch.
- Grasp the battery pack and remove it from the hedge trimmer.



HOLDING THE HEDGE TRIMMER (Fig. 4, 5 & 6)

The unit has both a front and rear handle. With the blade directed away from you, hold the unit by both handles.

The switch lever in the front handle can be activated on any of the three sides, giving you many choices for a comfortable grip when performing cutting operations.

⚠ WARNING: Always keep both hands on the hedge trimmer handles. Never hold shrubs with one hand while operating the hedge trimmer with the other hand. Failure to heed this warning may result in serious injury.

STARTING/STOPPING THE HEDGE TRIMMER

Before starting the hedge trimmer:

- Make sure that you have a secure and balance footing.
- Stand upright and hold the hedge trimmer in a relaxed position.
- Remove the blade guard.
- Make sure the cutting blade is not touching the ground or any other objects.
- Hold the unit with both hands: one hand on the rear handle and one hand on the front handle.

TO START THE HEDGE TRIMMER

1. Install the battery pack.
2. Depress and hold the switch lever in the front handle with one hand.
3. Press and hold the lock-off button with the thumb of your other hand, then squeeze the rear switch lever with your fingers to start the hedge trimmer. Release the lock-off button and continue to squeeze the trigger for continued operation.

TO STOP THE HEDGE TRIMMER

Move the hedge trimmer away from the cutting area and release the rear switch lever to stop the hedge trimmer.

⚠ WARNING: Always remove the battery pack from the hedge trimmer during work breaks and after finishing work.

USING THE HEDGE TRIMMER

⚠ WARNING: If the blade jams on any electrical cord or line, DO NOT TOUCH THE BLADE! IT CAN BECOME ELECTRICALLY LIVE AND VERY DANGEROUS. Continue to hold the hedge trimmer by the insulated rear handle or lay it down and away from you in a safe manner. Disconnect the electrical service to the damaged line or cord before attempting to free the blade from the line or cord. Failure to heed this warning will result in serious personal injury or possible death.

⚠ WARNING: If any parts are missing, damaged or broken, do not operate your trimmer until they have been replaced. Failure to do so could result in possibly serious personal injury.

⚠ WARNING: To prevent serious personal injury, always use both the front handle and the rear handle to hold the hedge trimmer during operation.

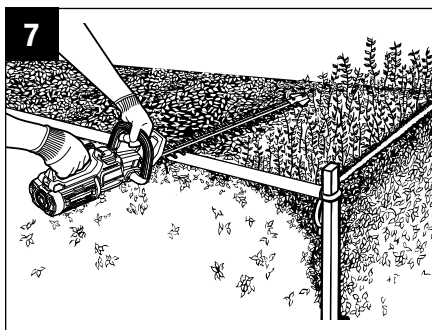
⚠ WARNING: To prevent serious personal injury, keep hands away from blades. Do not attempt to remove cut material or hold material to be cut when the blades are moving. Make sure that the blades have totally stopped and the battery pack is removed before clearing jammed material from blades. Do not grasp the exposed cutting blades or cutting edges when picking up or holding the unit.

⚠ WARNING: Clear the area to be cut before each use. Remove all objects, such as cords, lights, wire, or string that could become entangled in the cutting blade and create a risk of serious personal injury.

- Before starting the hedge trimmer, maintain proper footing and balance and do not overreach. Wear safety goggles, non-skid footwear and rubber gloves. Hold the unit with both hands with the cutting blades directed away from you. Always use the hedge trimmer properly.
- Do not trim too much at one time. This can cause the blades to bind and slow, reducing the cutting efficiency.
- Do not force the hedge trimmer through heavy shrubbery. This can cause the blades to bind and slow down. If the blades slow down, reduce the pace of your work.
- When trimming new growth, use a wide sweeping action, so that the stems are fed directly into the cutting blade. Older growth will have thicker stems and will be trimmed most easily by using a sawing movement.
- Always cut stems or twigs that are less than 1 in. thick. Use a non-powered hand saw or pruning saw to trim large stems.

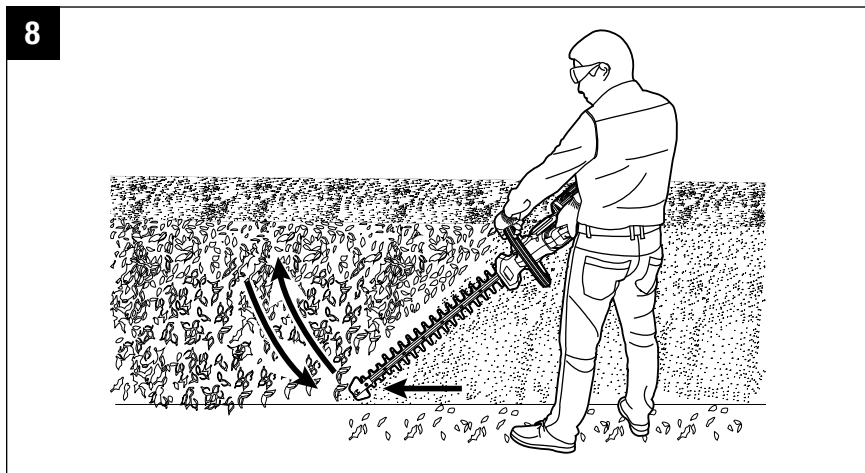
TOP CUTTING (Fig. 7)

Use a wide sweeping motion. A slight downward tilt of the cutting blades in the direction of motion gives the best cutting results. If desired, you can use a string to help guide you as you cut your hedge level. Decide how high you want the hedge. Then, stretch a piece of string along the hedge at this height. Trim the hedge just above this guide line.



SIDE CUTTING (Fig. 8)

When trimming the sides of the hedge, begin at the bottom and cut upwards. Trim the side of a hedge so that it will be slight narrower at the top. This shape will expose more of the hedge to sunlight, resulting in a more uniform growth.



MAINTENANCE

⚠ WARNING: When servicing, use only identical replacement parts. Use of any other parts may create a hazard or cause product damage. To ensure safety and reliability, all repairs should be performed by a qualified service technician.

⚠ WARNING: To avoid serious personal injury, always remove the battery pack from the product when cleaning or performing any maintenance.

CLEANING

- Use a soft brush to remove debris from all air intakes and cutting blade.
- To remove pitch and other sticky residue, spray the blades with resin solvent. Run the motor briefly so that the solvent is evenly distributed.
- Wipe the surface with a dry cloth.

⚠ WARNING: Never use water to clean your trimmer. Avoid using solvents when cleaning plastic parts. Most plastics are susceptible to damage from various types of commercial solvents. Use a clean cloth to remove dirt, dust, oil, grease, etc.

SHARPENING THE CUTTING BLADE

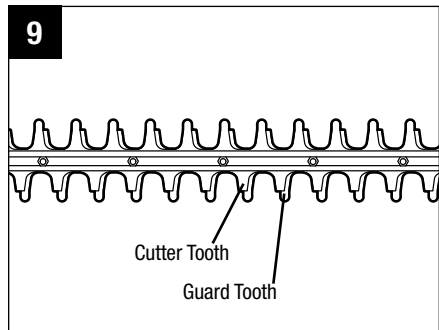
1. Start and stop your hedge trimmer until the cutter blade and the guard are slightly offset, as shown in Fig. 9. This will allow clearance for the file between cutter teeth and guard teeth.

2. Remove the battery pack from your hedge trimmer.

3. Clamp the blade assembly in a vise and file the exposed cutting surface of each blade tooth. Remove as little material as possible. Be sure to retain the original angle of each tooth when filing.

4. Remove the hedge trimmer from the vise; restart it and stop it to expose the unsharpened edges of the blade teeth.

5. Remove the battery pack and repeat the sharpening procedure above.

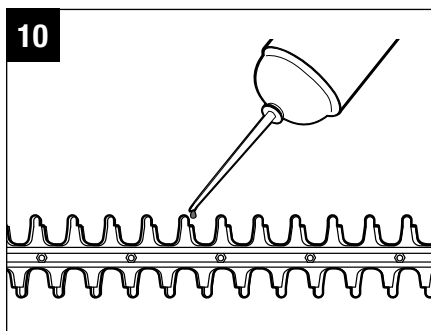


NOTE: Do not operate your hedge trimmer with dull or damaged cutting blades. This may cause overload and will give unsatisfactory cutting results.

LUBRICATING THE BLADE (Fig. 10)

For best operation and longer blade life, lubricate the hedge trimmer blade with light weight machine oil before and after each use.

1. Remove the battery pack from the hedge trimmer.
2. Lay the hedge trimmer on a flat surface. Apply some light weight machine oil along the edge of the top blade. If you will be using the hedge trimmer for an extended period, it is advisable to stop, remove the battery, and oil the blade during use.



NOTE: Do not oil the blade while the hedge trimmer is running.

TRANSPORTING AND STORING

- Always place the blade guard on the blade before storing or transporting the hedge trimmer. Use caution to avoid the sharp teeth of the blade.
- Clean the hedge trimmer thoroughly before storing.
- Store the hedge trimmer indoors, in a dry place that is inaccessible to children.
- Keep away from corrosive agents such as garden chemicals and deicing salts.

⚠ WARNING: Blades are sharp. When handling the blade assembly, wear non-slip, heavy-duty, protective gloves. Do not place your hand or fingers between blades or in any position where they could get pinched or cut. NEVER touch blades or service the unit with battery pack installed.

TROUBLESHOOTING

PROBLEM	CAUSE	SOLUTION
Hedge trimmer dose not work.	<ul style="list-style-type: none"> ■ The battery pack is not attached to the hedge trimmer. ■ No electrical contact between the hedge trimmer and battery. ■ The battery pack is depleted. ■ The battery pack or the hedge trimmer is too hot. ■ The front and rear switch levers are not depressed simultaneously. ■ The blade is jammed. 	<ul style="list-style-type: none"> ■ Attach the battery pack to the hedge trimmer. ■ Remove the battery, check contacts and reinstall the battery pack. ■ Charge the battery pack. ■ Remove the battery pack from the hedge trimmer and allow the battery or the hedge trimmer to cool until the tool and battery pack's temperature drops below 152°F (67°C). ■ Press the lock-off button first and then press the switch levers in the front and rear handle simultaneously. ■ Remove the battery pack from the tool, remove the obstruction carefully, then reinsert the battery and restart the tool.
Excessive vibration or noise.	<ul style="list-style-type: none"> ■ Dry or corroded blades. ■ Blades or blade support is bent. ■ Bent or damaged teeth. ■ Loose blade bolts. 	<ul style="list-style-type: none"> ■ Lubricate the blades, following the instructions in the "LUBRICATING THE BLADE" section in this manual. ■ Replace with a new blade or support. Contact EGO service center for blade replacement service. ■ Replace with a new blade. Contact EGO service center for blade replacement service. ■ Tighten the blade bolts. Use a 1/8" (3mm) hex wrench and turn the bolt clockwise to tighten.



WARRANTY

EGO WARRANTY POLICY

5 year limited warranty on EGO outdoor power equipment and 3 year limited warranty on EGO Power+ System battery packs and chargers.

Please contact EGO Customer Service Toll-Free at 1-855-EGO-5656 any time you have questions or warranty claims.

LIMITED SERVICE WARRANTY

FOR FIVE YEARS from the date of original retail purchase, this EGO product is warranted against defects in material or workmanship. Defective product will receive free repair.

FOR THREE YEARS from the date of original retail purchase, the EGO Power+ System battery pack and charger are warranted against defects in material or workmanship. Defective product will receive free repair.

This warranty does not cover routine maintenance parts and consumables that can wear out from normal use within the warranty period.

- a) This warranty applies only to the original purchaser from an authorized EGO retailer and may not be transferred. Authorized EGO retailers are identified online at <http://egopowerplus.com/pages/warranty-policy>.
- b) The warranty period for any EGO product or part used for industrial, professional or commercial purpose is one year.
- c) This warranty is void if the product has been used for rental purpose.
- d) This warranty does not cover the damage resulting from modification, alteration or unauthorized repair.
- e) This warranty only covers defects arising under normal usage and does not cover any malfunction, failure or defect resulting from misuse, abuse (including overloading of the product beyond capacity and immersion in water or other liquid), accidents, neglect or lack of proper installation, and improper maintenance or storage.
- f) This warranty does not cover normal deterioration of the exterior finish, including but not limited to scratches, dents, paint chips, or to any corrosion or discoloring by heat, abrasive and chemical cleaners.

HOW TO OBTAIN SERVICE

For warranty service, please contact EGO customer service toll-free at 1-855-EGO-5656. When requesting warranty service, you must present the original dated sales receipt. An authorized service center will be selected to repair the product according to the stated warranty terms.

ADDITIONAL LIMITATIONS

To the extent permitted by applicable law, all implied warranties, including warranties of MERCHANTABILITY or FITNESS FOR A PARTICULAR PURPOSE, are disclaimed. Any implied warranties, including warranties of merchantability or fitness for a particular purpose, that cannot be disclaimed under state law are limited to five years from the date of purchase for outdoor power equipment and three years from date of purchase for battery pack and charger.

Chervon North America is not responsible for direct, indirect, incidental or consequential damages.

Some states do not allow limitations on how long an implied warranty lasts and/or do not allow the exclusion or limitation of incidental or consequential damages, so the above limitations may not apply to you.

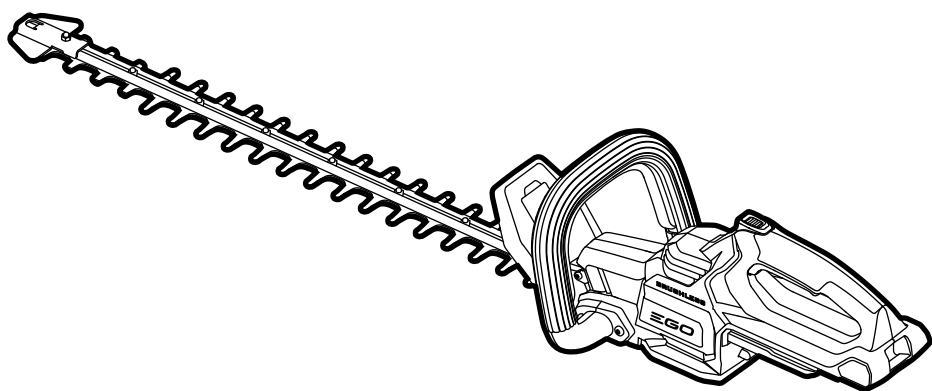
This warranty gives you specific legal rights, and you may also have other rights which vary from state to state.

For customer service contact us toll-free at:
1-855-EGO-5656 or EGOPOWERPLUS.COM

EGO Customer Service, 120 Ionia Street SW / Suite 102 Grand Rapids, MI 49503

EGO™

POWER⁺ HEDGE TRIMMER



GUIDE D'UTILISATION

TAILLE-HAIE SANS FIL À BLOC-PILE AU LITHIUM-ION DE 56 V

NUMÉRO DE MODÈLE HT2410

⚠ AVERTISSEMENT : Afin de réduire les risques de blessure, l'utilisateur doit lire et comprendre le guide d'utilisation avant d'utiliser ce produit. Conservez le présent guide afin de pouvoir le consulter ultérieurement.

TABLE DES MATIÈRES

Symboles de sécurité	30
Consignes de sécurité	31-39
Introduction	39
Caractéristiques	39
Assemblage	40
Liste des éléments contenus dans l'emballage	41
Description	42-43
Fonctionnement	44-49
Entretien	50-52
Dépannage	53-54
Garantie	54-55

LISEZ TOUTES LES INSTRUCTIONS!



ASSUREZ-VOUS DE LIRE ET DE COMPRENDRE
LE GUIDE D'UTILISATION

⚠ AVERTISSEMENT : Certaines poussières générées lors de la coupe peuvent contenir des produits chimiques connus dans l'État de Californie pour causer le cancer, des anomalies congénitales et des problèmes du système reproducteur. Voici des exemples de ces produits chimiques :

- Du plomb contenu dans la peinture au plomb
- De la silice cristallisée contenue dans les briques, le ciment et d'autres produits de maçonnerie
- De l'arsenic et du chrome contenus dans le bois de construction traité avec des produits chimiques

Les risques liés à l'exposition à ces produits varient en fonction de la fréquence à laquelle vous effectuez ce type de travaux. Pour réduire votre exposition à ces produits chimiques, travaillez dans une zone bien ventilée et en portant l'équipement de sécurité approuvé, comme un masque antipoussières conçu spécialement pour ne pas laisser passer les particules microscopiques.

SYMBOLES DE SÉCURITÉ

L'objectif des symboles de sécurité est d'attirer votre attention sur les dangers potentiels. Vous devez consulter soigneusement et comprendre les symboles de sécurité et les explications qui les accompagnent. Les symboles d'avertissement n'éliminent pas le danger d'eux-mêmes. Les consignes et avertissements qu'ils donnent ne remplacent en aucun cas la prise de mesures préventives adéquates.

⚠ AVERTISSEMENT : Avant d'utiliser cet outil, veuillez à consulter et à comprendre toutes les consignes de sécurité du guide d'utilisation, notamment tous les symboles d'alerte de sécurité comme « DANGER », « AVERTISSEMENT » et « MISE EN GARDE ». Le fait de ne pas respecter toutes les consignes ci-dessous peut occasionner un choc électrique ou des blessures graves.

SIGNIFICATION DES SYMBOLES

⚠ SYMBOLE D'ALERTE DE SÉCURITÉ : indique un DANGER, un AVERTISSEMENT ou une MISE EN GARDE. Il peut être utilisé en conjonction avec d'autres symboles ou pictogrammes.




⚠ AVERTISSEMENT! La manipulation de tout outil électrique peut occasionner la projection de corps étrangers dans les yeux et ainsi entraîner des lésions oculaires graves. Avant d'utiliser un outil électrique, veuillez à toujours porter des lunettes de protection ou de sécurité avec une protection de face et sur les côtés. Nous

recommandons le port d'un masque de sécurité panoramique par-dessus les lunettes, ou des lunettes de sécurité standard avec protection sur les côtés. Portez toujours un équipement de protection oculaire conforme à la norme ANSI Z87.1.

CONSIGNES DE SÉCURITÉ

Cette page illustre et décrit les symboles de sécurité qui peuvent être présents sur ce produit. Vous devez lire, comprendre et suivre toutes les instructions présentes sur l'appareil avant d'entamer son assemblage ou sa manipulation.

	Alerte de sécurité	Indique un risque de blessure.
	Assurez-vous de lire et de comprendre le guide d'utilisation	Afin de réduire les risques de blessure, l'utilisateur doit lire et comprendre le guide d'utilisation avant d'utiliser ce produit.
	Lunettes de sécurité	Lorsque vous utilisez ce produit, portez toujours des lunettes de protection ou de sécurité à écrans latéraux et un masque de protection complet.
	Danger : garder les mains éloignées des lames	Tout contact avec les lames occasionnera des blessures graves.
	Symboles de recyclage	Le produit fonctionne à l'aide de piles au lithium-ion (Li-ion). La législation locale, provinciale ou fédérale peut interdire la mise au rebut des piles dans les ordures ménagères. Consultez l'organisme local de gestion des déchets au sujet des possibilités offertes en ce qui concerne la mise au rebut ou le recyclage.
IPX4	Indice de protection	Protection contre les éclaboussures d'eau
V	Volt	Tension
mm	Millimètre	Longueur ou taille

po	Pouce	Longueur ou taille
	Courant continu	Type de courant ou caractéristique de courant
n_0	Vitesse à vide	Vitesse de rotation à vide
coups/minute	Coups par minute	Cadence à vide
kg	Kilogramme	Poids
lb	Livre	Poids

AVERTISSEMENTS DE SÉCURITÉ GÉNÉRAUX POUR LES OUTILS ÉLECTRIQUES

⚠ AVERTISSEMENT : Lisez tous les avertissements et toutes les instructions. Le fait de ne pas respecter les avertissements et les instructions peut occasionner un choc électrique ou des blessures graves.

Conservez tous les avertissements et toutes les instructions afin de pouvoir les consulter ultérieurement.

Le terme « outil électrique » dans un avertissement désigne votre outil électrique (avec cordon) alimenté par le secteur ou votre outil électrique (sans fil) alimenté par un bloc-pile.

SÉCURITÉ DE L'AIRE DE TRAVAIL

- **Maintenez l'aire de travail propre et bien éclairée.** Les aires de travail sombres et encombrées sont propices aux accidents.
- **Ne faites pas fonctionner d'outil électrique dans un environnement explosif, par exemple en présence de poussière, de gaz ou de liquides inflammables.** Les outils électriques provoquent des étincelles qui peuvent enflammer la poussière ou les émanations.
- **Maintenez les enfants et les observateurs à l'écart lorsque vous manipulez l'outil électrique.** Une distraction peut vous faire perdre la maîtrise de l'outil.

SÉCURITÉ ÉLECTRIQUE

- **Les fiches des outils électriques doivent correspondre à la prise. Ne modifiez jamais la fiche de quelque façon que ce soit. N'utilisez pas d'adaptateur avec les outils électriques mis à la terre.** L'utilisation de fiches non modifiées dans les prises compatibles réduit les risques de décharge électrique.
- **Évitez de toucher à des surfaces mises à la terre, par exemple, un tuyau, un radiateur, une cuisinière ou un réfrigérateur.** Le contact du corps avec une surface mise à la terre augmente les risques de décharge électrique.
- **N'utilisez pas le cordon d'alimentation de façon à l'endommager. Ne transportez jamais un outil électrique en le tenant par son cordon, et ne tirez jamais sur le cordon pour le débrancher. Tenez le cordon d'alimentation éloigné des sources de chaleur, de l'huile, des objets coupants et des pièces mobiles.** Un cordon endommagé ou emmêlé augmente les risques de décharge électrique.

- **Lorsque vous utilisez un outil électrique à l'extérieur, utilisez une rallonge adaptée à un usage à l'extérieur.** L'utilisation d'une rallonge adaptée à l'extérieur réduit les risques de décharge électrique.
- S'il est impossible d'éviter d'utiliser un appareil électrique dans un endroit humide, utilisez une alimentation protégée par un disjoncteur différentiel. L'utilisation d'un disjoncteur différentiel réduit les risques de décharge électrique.

SÉCURITÉ PERSONNELLE

- **Soyez vigilant, prêtez attention à ce que vous faites et usez de votre jugement lorsque vous utilisez un outil électrique. N'utilisez pas un outil électrique lorsque vous êtes fatigué ou sous l'effet de drogues, d'alcool ou de médicaments.** Un moment d'inattention lorsque vous utilisez des outils électriques peut occasionner des blessures graves.
- **Utilisez un équipement de protection. Portez toujours un équipement de protection oculaire.** Le port d'un équipement de protection (comme un masque antipoussières, des chaussures de protection antidérapantes, un casque de sécurité ou un dispositif de protection auriculaire), lorsque les conditions l'exigent, réduit les risques de blessures.
- **Évitez tout démarrage involontaire. Veillez à ce que l'interrupteur soit en position d'arrêt avant de connecter le produit au courant ou au bloc-pile, de le ramasser ou de le transporter.** Transporter un outil électrique en ayant le doigt sur l'interrupteur ou transporter un outil électrique avec l'interrupteur en position de marche est propice aux accidents.
- **Enlevez toute clé de serrage ou clé à molette avant de mettre l'outil électrique en marche.** Une clé de serrage ou une clé à molette en contact avec une pièce rotative de l'outil électrique peut occasionner des blessures.
- **Ne vous étirez pas pour étendre votre portée. Maintenez des appuis et un équilibre adéquats en tout temps.** Cela permet de mieux contrôler l'outil électrique dans des situations inattendues.
- **Habillez-vous de manière appropriée. Ne portez pas de vêtements ni de bijoux qui peuvent s'accrocher. Maintenez vos cheveux, vos vêtements et vos gants à l'écart des pièces mobiles.** Des vêtements, des bijoux ou de longs cheveux peuvent se coincer dans les pièces mobiles.

- **Si des dispositifs sont fournis pour la connexion d'équipement de dépoussiérage et de collecte de la poussière, veillez à ce qu'ils soient connectés et utilisés de manière appropriée.** L'emploi d'un dépoussiéreur contribue à réduire les dangers liés à la poussière.

UTILISATION ET ENTRETIEN DE L'OUTIL ÉLECTRIQUE

- **Ne forcez pas l'outil électrique. Utilisez l'outil électrique approprié à la tâche que vous souhaitez accomplir.** L'utilisation de l'outil électrique approprié permet d'obtenir de meilleurs résultats, de façon plus sécuritaire, selon le régime de fonctionnement prévu.
- **N'utilisez pas l'outil électrique si l'interrupteur ne permet pas de le mettre en marche et de l'arrêter.** Tout outil électrique qui ne peut être commandé au moyen de l'interrupteur est dangereux et doit être réparé.
- **Déconnectez la prise de la source d'alimentation ou l'outil électrique du bloc-pile avant de le ranger ou de procéder un ajustement ou un changement d'accessoire.** Ces mesures de sécurité préventives réduisent les risques de mettre accidentellement l'outil électrique en marche.
- **Rangez l'outil électrique à l'arrêt hors de la portée des enfants et n'autorisez pas une personne ne sachant pas s'en servir ou n'ayant pas lu ces instructions à l'utiliser.** Les outils électriques sont dangereux lorsqu'ils sont maniés par des utilisateurs inexpérimentés.
- **Entretenez l'outil électrique. Vérifiez l'alignement des pièces mobiles, leur fixation et leur état et s'il y a tout autre problème pouvant nuire au fonctionnement de l'outil électrique. Si l'outil électrique est endommagé, faites-le réparer avant de l'utiliser.** Beaucoup d'accidents sont attribuables au mauvais entretien d'un outil.
- **Maintenez les outils de découpe affûtés et propres.** Des outils de découpe aux lames affûtées risquent moins de s'accrocher et sont plus faciles à contrôler.
- **Utilisez l'outil électrique, les accessoires, les embouts, etc. conformément aux instructions, en tenant compte des conditions de travail et de la tâche à accomplir.** L'utilisation de l'outil électrique à des fins autres que celles pour lesquelles il a été conçu pourrait créer une situation dangereuse.

UTILISATION ET ENTRETIEN DU BLOC-PILE

- **Rechargez uniquement le bloc-piles au moyen du chargeur approuvé par le fabricant.** Un chargeur non adapté à un type de bloc-pile peut constituer un risque d'incendie s'il est utilisé avec un bloc-pile différent de celui pour lequel il a été conçu.
- **Utilisez l'outil électrique uniquement avec le bloc-pile expressément indiqué.** L'utilisation de tout autre bloc-pile peut constituer un risque de blessure et d'incendie.
- **Lorsque vous n'utilisez pas le bloc-piles, conservez-le à l'écart d'autres objets métalliques, comme des trombones, des pièces de monnaie, des clés, des clous, des vis et d'autres petits objets métalliques qui peuvent connecter une borne à une autre.** Un court-circuit entre les bornes du bloc-pile peut occasionner des brûlures et un incendie.
- **Dans de mauvaises conditions, un liquide peut être éjecté du bloc-pile; évitez tout contact avec celui-ci. En cas de contact accidentel, rincez à grande eau.** Si vos yeux entrent en contact avec ce liquide, consultez un médecin. Le liquide provenant des piles peut causer de l'irritation ou des brûlures.

ENTRETIEN

- **Demandez à un technicien qualifié qui utilise seulement des pièces de rechange identiques aux pièces d'origine d'effectuer l'entretien de votre outil électrique.** Vous vous assurerez ainsi de respecter les consignes de sécurité de l'outil électrique.

AVERTISSEMENTS DE SÉCURITÉ DU TAILLE-HAIE

⚠ DANGER – Gardez les mains éloignées des lames. Tout contact avec les lames occasionnera des blessures graves.

- **Gardez toutes les parties de votre corps éloignées des lames de découpe. N'enlevez pas de matériau coupé et ne tenez pas de matériau à couper pendant que les lames sont en mouvement. Veillez à ce que l'interrupteur soit en position d'arrêt lorsque vous enlevez du matériau coincé dans l'outil. Les lames continuent de se mouvoir après que l'outil est arrêté.** Un moment d'inattention lorsque vous manipulez le taille-haie peut occasionner des blessures graves.

- **Transportez le taille-haie par sa poignée, avec les lames de découpe immobiles.** Une manipulation appropriée du taille-haie permet de réduire les risques de blessure avec les lames de découpe.
- **Tenez l'outil électrique uniquement par les poignées protégées, car les lames de découpe peuvent entrer en contact avec un câblage caché.** Si les lames entrent en contact avec un câble alimenté pendant que l'appareil est en marche, cela risque d'exposer les pièces métalliques de l'outil électrique et occasionner un choc électrique à l'utilisateur.
- **Tenez le câble loin de la zone de coupe.** Lors de l'utilisation, le câble peut être caché par les arbustes et coupé accidentellement par les lames.
- **Lorsque vous utilisez le taille-haie, tenez-le avec les deux mains. Le tenir seulement avec une main peut causer une perte de contrôle et occasionner des blessures graves.**

CONSIGNES DE SÉCURITÉ IMPORTANTES

- Ne rechargez pas le bloc-pile sous la pluie ni dans un endroit humide.
- Utilisez le produit uniquement avec les blocs-piles et les chargeurs indiqués ci-dessous :

BLOC-PILE	CHARGEUR
BA1120, BA1400, BA2240	CH2100
BA2800, BA4200	CH5500

- Lorsque vous ramassez ou tenez le taille-haie, ne saisissez pas les lames de découpe ni les bords coupants exposés.
- N'utilisez pas ce produit alors que vous êtes sur une échelle, sur un toit, dans un arbre ou sur tout autre support instable. Des appuis et une surface stables permettent de mieux contrôler le taille-haie dans des situations inattendues.
- Ne laissez jamais des enfants utiliser le taille-haie.
- Ne touchez jamais les dispositifs de sécurité et ne les enlevez pas. Vérifiez régulièrement qu'ils fonctionnent correctement. Ne faites jamais quoi que ce soit qui puisse interférer avec la fonction prévue d'un dispositif de sécurité ou qui réduirait la protection offerte par un dispositif de sécurité.
- N'utilisez jamais le taille-haie sans les protecteurs, les plaques et les autres dispositifs de sécurité adéquats en place.

- Avant d'utiliser le taille-haie, vérifiez s'il y a des pièces endommagées. Le cas échéant, vérifiez attentivement les pièces endommagées pour déterminer si elles peuvent fonctionner correctement et être utilisées normalement. Vérifiez l'alignement des pièces mobiles et leur fixation ainsi que l'état et l'assemblage des pièces, et recherchez tout autre problème pouvant nuire au fonctionnement de l'appareil. Si une pièce est endommagée, elle doit être réparée correctement ou remplacée par un centre de service autorisé, à moins d'indications contraires dans le présent guide.
- Vérifiez fréquemment que les boulons de fixation du moteur et les lames sont correctement serrés. En outre, inspectez visuellement les lames pour vérifier qu'elles ne sont pas endommagées (par exemple tordues, craquelées ou usées). Remplacez les lames uniquement par des lames du fabricant d'origine de l'équipement.
- Remplacez les lames si elles sont tordues ou craquelées. Une lame déséquilibrée occasionne des vibrations qui pourraient endommager le moteur ou causer des blessures.
- Si l'outil venait à vibrer de manière anormale, arrêtez le moteur et trouvez immédiatement la cause des vibrations. Les vibrations indiquent généralement un problème.
- Le taille-haie doit être utilisé pour couper des tiges de moins de 26 mm (1 po) d'épaisseur.
- Utilisez le taille-haie uniquement durant le jour ou avec un bon éclairage artificiel.
- Enlevez ou déconnectez la batterie avant de procéder à l'entretien ou au nettoyage du taille-haie ou d'en retirer du matériel.
- Ne nettoyez pas l'outil avec un jet d'eau, car de l'eau pourrait s'infiltrer dans le moteur et les connexions électriques.
- Lorsque vous procédez à l'entretien de l'article, utilisez uniquement des pièces de rechange identiques à celles indiquées dans ce guide. L'utilisation de pièces ne correspondant pas aux caractéristiques de l'équipement d'origine peut causer un fonctionnement incorrect et compromettre la sécurité.
- Suivez les instructions de graissage et de changement d'accessoires.
- Les poignées doivent toujours être sèches, propres et exemptes d'huile ou de graisse.

- **Conservez ces instructions.** Consultez-les régulièrement et utilisez-les pour expliquer le fonctionnement de l'outil à d'autres personnes qui l'utiliseraient. Si vous prêtez l'outil à une personne, prêtez-lui également ces instructions afin de prévenir un usage inapproprié de l'outil et des blessures potentielles.

CONSERVEZ CES INSTRUCTIONS!

INTRODUCTION

Nous vous félicitons d'avoir choisi un tout nouveau taille-haie de nouvelle génération alimenté par un bloc-pile au lithium-ion de 56 V. Cet outil a été conçu et fabriqué afin de vous offrir la meilleure fiabilité et le meilleur rendement possible.

Si vous éprouvez un problème que vous n'arrivez pas à régler facilement, veuillez communiquer avec le centre de service à la clientèle d'EGO au 1 855 EGO 5656.

Le présent guide contient des renseignements importants pour assembler, utiliser et entretenir en toute sécurité votre produit. Lisez-le soigneusement avant d'utiliser le produit. Conservez ce guide à portée de main afin de pouvoir le consulter à tout moment.

NUMÉRO DE SÉRIE _____ DATE D'ACHAT _____
NOUS VOUS RECOMMANDONS DE NOTER LE NUMÉRO DE SÉRIE ET LA DATE D'ACHAT ET DE LES CONSERVER EN LIEU SÛR AFIN DE POUVOIR LES CONSULTER ULTÉRIEUREMENT.

CARACTÉRISTIQUES TECHNIQUES

Tension	56V 
Vitesse à vide (n_0)	3000 coups/minute
Longueur de coupe	610 mm (24 po)
Poids (sans le bloc-pile ni le protège-lames)	2,80 kg (6,16 lb)

ASSEMBLAGE

⚠ AVERTISSEMENT : S'il y a des pièces manquantes ou endommagées, ne tentez pas d'utiliser l'article tant que ces pièces n'auront pas été remplacées. L'utilisation de ce produit avec des pièces endommagées ou manquantes peut causer des blessures graves.

⚠ AVERTISSEMENT : Ne tentez pas de modifier ce produit ni de créer des accessoires qui ne sont pas recommandés pour ce produit. Toute altération ou modification de ce type constitue un usage inapproprié et peut engendrer une situation dangereuse susceptible de causer des blessures graves.

⚠ AVERTISSEMENT : Pour empêcher une mise en marche accidentelle pouvant provoquer des blessures graves, enlevez toujours le bloc-pile de l'outil lorsque vous assemblez des pièces, procédez à des ajustements ou à son nettoyage ou lorsque l'article n'est pas utilisé.

DÉBALLAGE

Ce produit a été expédié entièrement assemblé.

- Retirez soigneusement l'outil et toutes les pièces de l'emballage. Assurez-vous que toutes les pièces mentionnées sur la liste des pièces sont présentes.
- Inspectez soigneusement l'outil pour vérifier qu'il n'a pas été endommagé pendant l'expédition.
- Ne jetez pas le matériel d'emballage avant d'avoir inspecté soigneusement l'outil et de l'avoir fait fonctionner de manière satisfaisante.
- S'il y a des pièces manquantes ou endommagées, veuillez retourner l'outil à l'endroit où vous l'avez acheté.

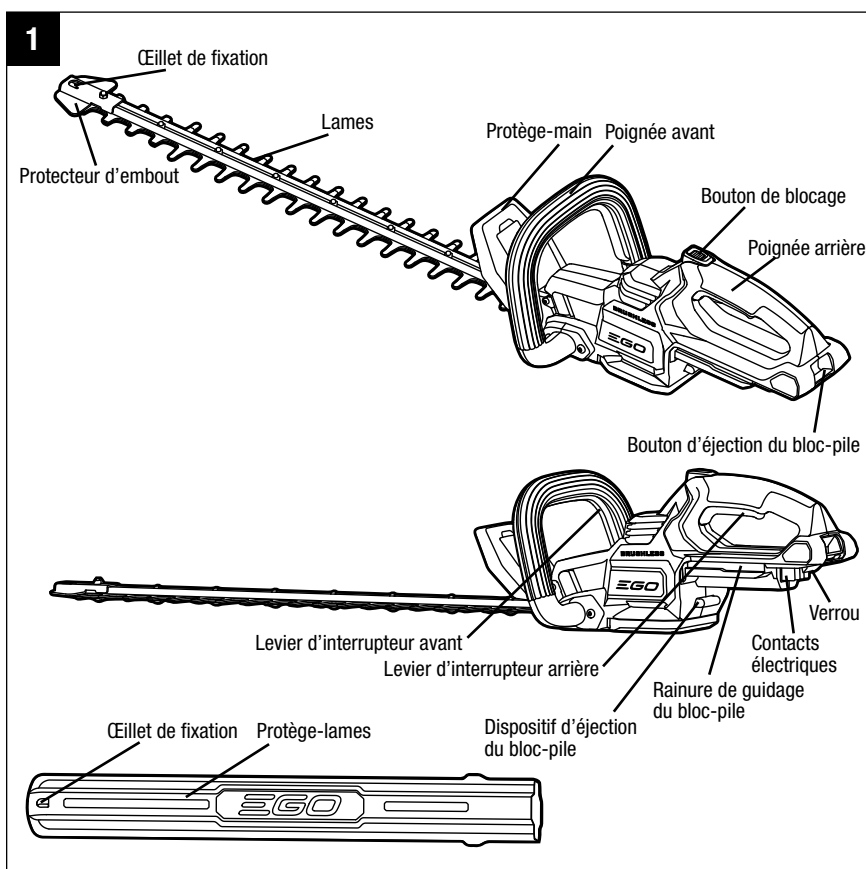
LISTE DES PIÈCES CONTENUES DANS L'EMBALLAGE

NOM DE PIÈCE	QUANTITÉ
Taille-haie	1
Protège-lames	1
Guide d'utilisation	1

DESCRIPTION

CONNAISSEZ VOTRE TAILLE-HAIE (figure 1)

Pour utiliser ce produit en toute sécurité, vous devez comprendre les renseignements figurant sur le produit et dans le présent guide d'utilisation et connaître le projet que vous entreprenez. Avant d'utiliser ce produit, familiarisez-vous avec toutes les caractéristiques de fonctionnement et consignes de sécurité.



Protège-main

Permet de protéger les mains de l'utilisateur et de dévier les copeaux et autres débris.

Poignée avant

Permet de contrôler facilement l'outil.

Poignée arrière

Poignée ergonomique surmoulée améliorant le confort et la prise.

Bouton de blocage

Aide à prévenir l'activation accidentelle ou non autorisée du levier d'interrupteur. Il doit être maintenu enfoncé pour activer la gâchette.

Leviers d'interrupteur avant et arrière

Le taille-haie se met en marche uniquement lorsque les deux leviers d'interrupteur (des poignées avant et arrière) sont enfoncés simultanément.

Lames

Lames en acier trempé pour couper les haies et les arbustes.

Protège-lames

Le protège-lames empêche l'utilisateur d'entrer en contact avec les lames tranchantes lorsque l'outil n'est pas utilisé. Permet également d'empêcher que les lames s'ébrèchent ou s'endommagent lorsque l'outil est transporté ou rangé.

Protecteur d'embout

Protège l'extrémité des lames.

Bouton d'éjection du bloc-pile

Permet de retirer le bloc-pile lorsque l'on appuie dessus.

Verrou

Verrouille la batterie en place lorsqu'il est installé sur l'outil.

Dispositif d'éjection du bloc-pile

Aide à enlever le bloc-pile.

FONCTIONNEMENT

⚠ AVERTISSEMENT : Même si vous connaissez parfaitement ce produit, soyez vigilant. N'oubliez pas qu'une fraction de seconde d'inattention suffit à se blesser grièvement.

⚠ AVERTISSEMENT : Portez toujours des lunettes de sécurité conformes à la norme ANSI Z87.1. Sinon, vous pourriez recevoir des débris dans les yeux et vous blesser grièvement.

⚠ AVERTISSEMENT : N'utilisez pas de pièces ni d'accessoires qui ne sont pas recommandés par le fabricant de ce produit. L'utilisation de pièces ou d'accessoires non recommandés peut causer des blessures graves.

⚠ AVERTISSEMENT : Pour prévenir les blessures graves, retirez le bloc-pile de l'outil avant d'en effectuer l'entretien, de le nettoyer, de changer des accessoires ou d'en retirer du matériel.

Avant chaque utilisation, inspectez l'intégralité du produit pour vérifier s'il y a des pièces endommagées, manquantes ou lâches, comme des vis, des boulons, des écrous, des capuchons, etc. Fixez fermement toutes les attaches et tous les capuchons et ne faites pas fonctionner ce produit avant que toutes les pièces manquantes ou endommagées aient été remplacées.

UTILISATIONS

Vous pouvez utiliser ce produit pour les types de travaux listés ci-dessous.

- Tailler les haies, les arbustes et les buissons dont le diamètre des branches est inférieur à 26 mm (1 po).

INSTALLATION ET RETRAIT DU BLOC-PILE (figures 2 et 3)

REMARQUE : Chargez le bloc-pile au maximum avant sa première utilisation.

Installation du bloc-pile (figure 2)

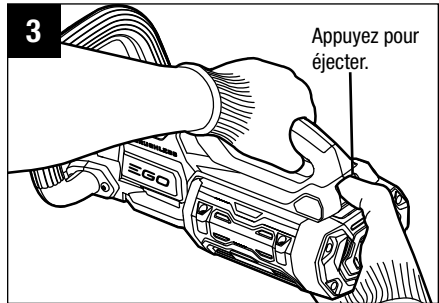
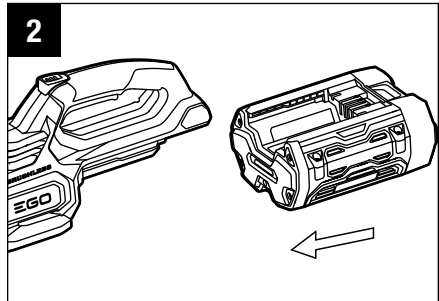
- Alignez les nervures du bloc-pile sur les rainures de guidage du bloc-pile situées sur le taille-haie.
- Faites glisser la batterie jusqu'à ce qu'elle s'enclenche.

REMARQUE : Avant d'utiliser le produit, assurez-vous que le verrou du taille-haie se loge en place et que le bloc-pile est fixé à l'outil.

Retrait du bloc-pile (figure 3)

⚠ AVERTISSEMENT : Soyez toujours conscient de l'emplacement de vos pieds, de vos enfants et de vos animaux de compagnie lorsque vous appuyez sur le bouton d'éjection du bloc-pile. La chute du bloc-pile pourrait causer des blessures graves. Ne retirez JAMAIS le bloc-pile lorsque vous êtes en hauteur.

- Lorsque vous appuyez sur le bouton d'éjection du bloc-pile, celui-ci se détache du verrou.
- Saisissez le bloc-pile et enlevez-le du taille-haie.



TENIR LE TAILLE-HAIE (figures 4, 5 et 6)

L'outil dispose d'une poignée avant et d'une poignée arrière. Tenez l'outil avec les deux mains et avec les lames dirigées à l'opposé de vous.

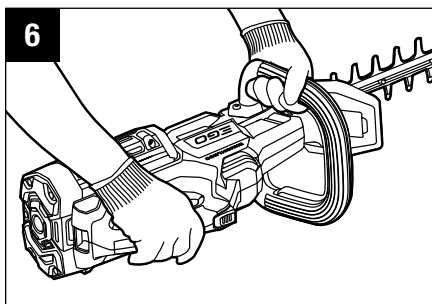
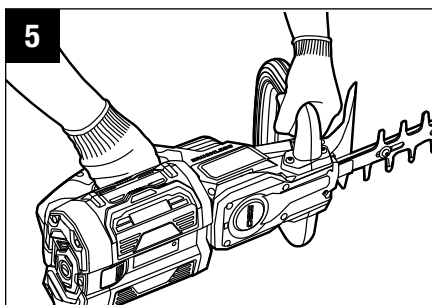
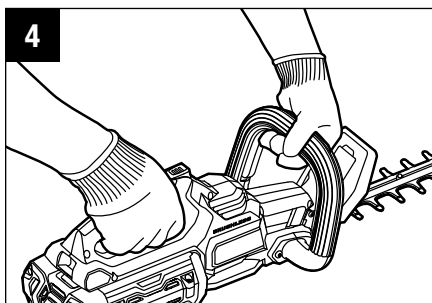
Le levier d'interrupteur sur la poignée avant peut être activé de n'importe lequel des trois côtés, vous offrant ainsi beaucoup de choix pour une prise confortable lorsque vous effectuez un travail de découpe.

⚠ AVERTISSEMENT : Gardez toujours les deux mains sur les poignées du taille-haie. Ne tenez jamais un arbuste d'une main en manipulant le taille-haie avec l'autre main. Le non-respect de cet avertissement peut occasionner des blessures graves.

MISE EN MARCHÉ ET ARRÊT DU TAILLE-HAIE

Avant de mettre le taille-haie en marche, suivez les instructions ci-dessous :

- Assurez-vous que vous avez une posture sécuritaire et un bon équilibre.
- Tenez-vous droit et tenez le taille-haie dans une position détendue.
- Enlevez le protège-lames.
- Assurez-vous que les lames de découpe ne touchent pas le sol ni tout autre objet.
- Tenez l'outil avec les deux mains : une main sur la poignée arrière et l'autre sur la poignée avant.



MISE EN MARCHÉ DU TAILLE-HAIE

1. Installez le bloc-pile.
2. Maintenez enfoncé d'une main le levier d'interrupteur de la poignée avant.
3. Maintenez enfoncé le bouton de blocage avec le pouce de votre autre main, puis serrez le levier d'interrupteur arrière avec vos doigts pour faire démarrer le taille-haie. Relâchez le bouton de blocage et gardez la gâchette enfoncée pour utiliser l'outil de façon continue.

ARRÊT DU TAILLE-HAIE

Pour arrêter le taille-haie, éloignez-le de l'aire de découpe et lâchez le levier d'interrupteur arrière.

⚠ AVERTISSEMENT : Enlevez systématiquement le bloc-pile du taille-haie pendant les pauses ou une fois que le travail est terminé.

UTILISATION DU TAILLE-HAIE

⚠ AVERTISSEMENT : Si les lames se prennent dans un câble ou une ligne électrique, NE LES TOUCHEZ PAS! ELLES PEUVENT DEVENIR CONDUCTRICES DE COURANT ET DONC ÊTRE TRÈS DANGEREUSES. Continuez de tenir le taille-haie par la poignée arrière isolée ou alors posez-le loin de vous de manière sécuritaire. Déconnectez l'alimentation électrique de la ligne ou du câble endommagé avant d'en libérer les lames. Le non-respect de cet avertissement occasionnera des blessures graves et potentiellement mortelles.

⚠ AVERTISSEMENT : S'il y a des pièces manquantes, endommagées ou cassées, ne tentez pas d'utiliser le taille-haie tant que ces pièces n'ont pas été remplacées. Le non-respect de cet avertissement peut occasionner des blessures graves.

⚠ AVERTISSEMENT : Pour prévenir des blessures graves, utilisez systématiquement la poignée avant et la poignée arrière pour tenir le taille-haie lorsque vous l'utilisez.

⚠ AVERTISSEMENT : Pour prévenir des blessures graves, gardez les mains éloignées des lames. Ne tentez pas d'enlever un matériau coupé ou de tenir un matériau à couper lorsque les lames sont en mouvement. Veillez à ce que les lames soient complètement à l'arrêt et que le bloc-pile soit enlevé avant de retirer un

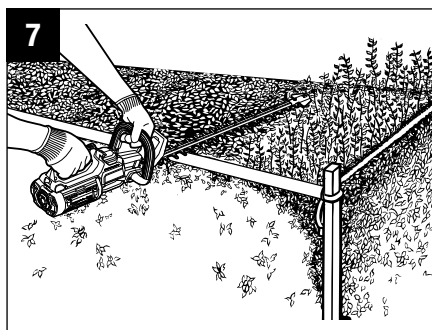
matériau coincé dans les lames. Lorsque vous ramassez ou tenez le taille-haie, ne saisissez pas les lames de découpe ni les bords coupants exposés.

⚠ AVERTISSEMENT : Avant chaque utilisation, dégagez l'aire de travail. Enlevez tout objet, comme des cordons, des lumières, des câbles ou des fils, qui pourrait se coincer dans les lames et potentiellement occasionner des blessures graves.

- Avant de mettre le taille-haie en marche, assurez-vous d'avoir des appuis fermes et équilibrés et de ne pas étendre votre portée. Portez des lunettes de protection, des chaussures antidérapantes et des gants isolants. Tenez l'outil avec les deux mains et avec les lames dirigées à l'opposé de vous. Manipulez toujours le taille-haie de manière appropriée.
- Ne coupez pas trop de matériau d'un coup. Cela peut bloquer ou ralentir les lames et ainsi réduire le rendement de découpe.
- Ne forcez pas le passage du taille-haie à travers un massif d'arbustes. Cela peut bloquer ou ralentir les lames. Si les lames ralentissent, réduisez votre cadence de travail.
- Lorsque vous coupez de nouvelles pousses, faites des mouvements de balayage larges afin que les tiges aillent directement dans les lames de découpe. Les pousses plus âgées ont des tiges plus épaisses et sont coupées plus facilement au moyen d'un mouvement de scie.
- Coupez toujours des tiges ou des petites branches de moins de 26 mm d'épaisseur. Pour des tiges plus épaisses, utilisez une scie à élaguer ou une scie à main non électrique.

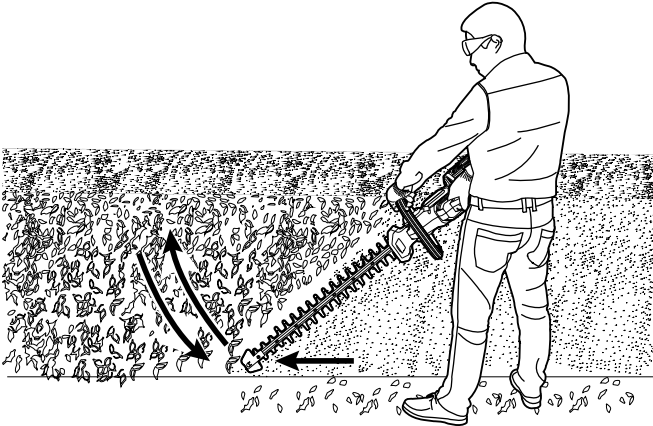
COUPE DE DESSUS (figure 7)

Faites un mouvement de balayage large. Une légère inclinaison vers de bas des lames de découpe dans la direction du mouvement donne les meilleurs résultats de coupe. Si vous le souhaitez, vous pouvez utiliser un fil pour vous aider à diriger votre coupe. Décidez de la hauteur souhaitée de la haie. Ensuite, placez un fil le long de la haie à la hauteur souhaitée. Puis, couper la haie juste au-dessus du fil.



COUPE DE CÔTÉ (figure 8)

Lorsque vous coupez les côtés de la haie, commencez par le bas et coupez en faisant un mouvement vers le haut. Coupez les côtés de la haie de manière à ce que celle-ci soit légèrement plus étroite en haut. Cette forme expose davantage la haie au soleil et permet une repousse plus uniforme.

8

ENTRETIEN

⚠ AVERTISSEMENT : Lorsque vous procédez à l'entretien de l'outil, utilisez uniquement des pièces de remplacement identiques à celles d'origine. L'utilisation de toute autre pièce peut constituer un danger ou endommager le produit. Pour assurer la sécurité et la fiabilité de l'appareil, toutes les réparations doivent être effectuées par un technicien en entretien et en réparation qualifié.

⚠ AVERTISSEMENT : Pour éviter des blessures graves, retirez toujours le bloc-pile avant de procéder à l'entretien ou au nettoyage de l'outil.

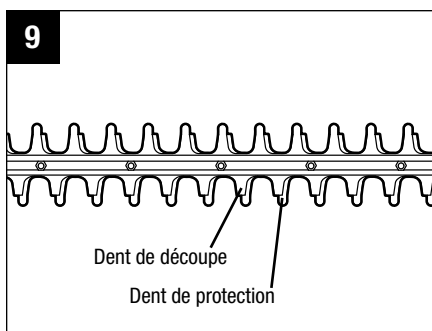
NETTOYAGE

- Utilisez une brosse douce pour enlever les débris de toutes les entrées d'air et des lames.
- Pour enlever la résine et d'autres résidus collants, aspergez les lames de solvant de résine. Mettez le moteur en marche brièvement afin de répartir le solvant de manière équilibrée.
- Essuyez la surface à l'aide d'un linge sec.

⚠ AVERTISSEMENT : N'utilisez jamais d'eau pour nettoyer le taille-haie. Évitez d'utiliser des solvants sur les pièces en plastique. La plupart des plastiques sont susceptibles d'être endommagés par divers types de solvants commerciaux. Utilisez un linge propre pour enlever la saleté, la poussière, l'huile, la graisse, etc.

AFÛTAGE DES LAMES DE DÉCOUPE

1. Démarrez et arrêtez le taille-haie jusqu'à ce que les dents de découpe et les dents de protection soient légèrement décalées, comme sur la figure 9. Cela permet d'avoir l'espace nécessaire pour laisser passer la lime entre les dents de découpe et les dents de protection.



2. Enlevez le bloc-pile de votre taille-haie.

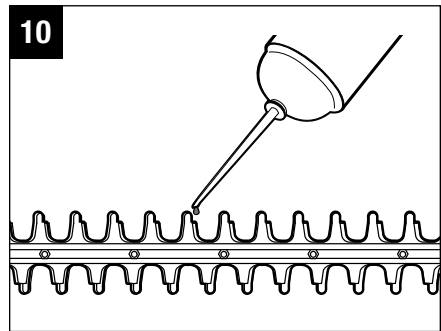
3. Fixez les lames dans un étau et limez la surface de découpe exposée de chaque dent. Enlevez aussi peu de matière que possible. Veillez à conserver l'angle d'origine de chaque dent.
4. Enlevez le taille-haie de l'étau, démarrez et arrêtez-le de façon à exposer les parties non affûtées des dents de découpe.
5. Enlevez le bloc-pile et répétez la procédure d'affûtage ci-dessus.

REMARQUE : N'utilisez pas le taille-haie si les lames sont endommagées ou émoussées. Cela peut engendrer une surcharge et donner des résultats de découpe insatisfaisants.

GRAISSAGE DES LAMES (figure 10)

Pour un fonctionnement et une durée de vie optimaux des lames du taille-haie, graissez-les avec de l'huile machine légère avant et après chaque utilisation.

1. Enlevez le bloc-pile de du taille-haie.
2. Posez le taille-haie sur une surface plate. Appliquez de l'huile machine légère le long du rebord de la lame du haut. Si vous devez utiliser le taille-haie pendant une longue période, nous vous recommandons de vous arrêter, d'enlever le bloc-pile et de graisser les lames pendant l'utilisation.



REMARQUE : Ne graissez pas les lames pendant que le taille-haie est en marche.

TRANSPORT ET ENTREPOSAGE

- Placez systématiquement le protège-lames sur les lames avant de ranger ou de transporter le taille-haie. Soyez prudent et évitez les dents tranchantes des lames.
- Nettoyez le taille-haie en profondeur avant de le ranger.
- Rangez le taille-haie à l'intérieur, dans un endroit sec auquel les enfants n'ont pas accès.
- Rangez-le à l'écart des agents corrosifs, comme des produits chimiques de jardinage ou des sels fondants.

⚠ AVERTISSEMENT : Les lames sont tranchantes. Lorsque vous manipulez les lames, portez des gants de protection résistants et antidérapants. Ne placez ni vos mains ni vos doigts entre les lames ou dans une position où ils pourraient être pincés ou coupés. Ne touchez JAMAIS les lames et ne procédez JAMAIS à l'entretien de l'outil sans avoir enlevé le bloc-pile au préalable.

DÉPANNAGE

PROBLÈME	CAUSE	SOLUTION
Le taille-haie ne fonctionne pas.	<ul style="list-style-type: none"> ■ Le bloc-pile n'est pas installé dans le taille-haie. ■ Il n'y a aucun contact électrique entre le taille-haie et le bloc-pile. ■ Le bloc-pile est déchargé. ■ Le bloc-pile ou le taille-haie sont trop chauds. ■ Les leviers d'interrupteur avant et arrière ne sont pas enclenchés simultanément. ■ Les lames sont bloquées. 	<ul style="list-style-type: none"> ■ Installez le bloc-pile dans le taille-haie. ■ Retirez le bloc-pile, vérifiez les contacts électriques et réinstallez le bloc-pile. ■ Chargez le bloc-pile. ■ Enlevez le bloc-pile du taille-haie et laissez-lui le temps de refroidir jusqu'à ce que sa température soit inférieure à 67 °C (152 °F). ■ Appuyez d'abord sur le bouton de blocage, puis abaissez les leviers d'interrupteur de la poignée avant et de la poignée arrière simultanément. ■ Enlevez le bloc-pile de l'outil, retirez soigneusement le matériau obstruant les lames, puis réinstallez le bloc-pile et redémarrez le produit.
Vibration et bruit excessifs.	<ul style="list-style-type: none"> ■ Les lames sont sèches ou corrodées. ■ Les lames ou le support des lames sont tordus. ■ Les dents sont tordues ou endommagées. ■ Les boulons des lames sont lâches. 	<ul style="list-style-type: none"> ■ Graissez les lames en suivant les directives énoncées à la section « GRAISSAGE DES LAMES » du présent guide. ■ Remplacez les lames ou le support des lames. Communiquez avec le centre de service EGO pour le remplacement des lames. ■ Remplacez les lames. Communiquez avec le centre de service EGO pour le remplacement des lames. ■ Serrez les boulons des lames. Au moyen d'une clé hexagonale de 3 mm (1/8 po), serrez les boulons en les tournant dans le sens des aiguilles d'une montre.

GARANTIE

POLITIQUE D'EGO EN MATIÈRE DE GARANTIE

Une garantie limitée de cinq (5) ans est offerte pour l'équipement électrique d'extérieur EGO et une garantie limitée de trois (3) ans est offerte pour les chargeurs et les blocs-piles EGO Power+.

Veillez communiquer avec le service à la clientèle d'EGO au 1 855 EGO-5656 (numéro sans frais) pour toute question sur les réclamations au titre de la garantie.

GARANTIE LIMITÉE

À compter de la date d'achat originale, ce produit EGO est garanti **PENDANT CINQ ANS** contre les défauts de matériaux et de fabrication. Les produits défectueux seront réparés gratuitement.

À compter de la date d'achat originale, le chargeur et le bloc-pile EGO Power+ sont garantis **PENDANT TROIS ANS** contre les défauts de matériaux et de fabrication. Les produits défectueux seront réparés gratuitement.

Cette garantie ne couvre pas le matériel et les pièces d'entretien régulier qui peuvent s'user avec une utilisation normale pendant la période de garantie.

- a) Cette garantie s'applique uniquement à l'acheteur initial s'étant procuré le produit chez un détaillant EGO autorisé et est non transférable. La liste des détaillants EGO autorisés est publiée en ligne sur le site <http://egopowerplus.com/pages/warranty-policy>.
- b) La période de garantie pour toute pièce ou tout produit EGO utilisés à des fins industrielles, professionnelles ou commerciales est de un an.
- c) Cette garantie n'est pas valide si le produit a été utilisé à des fins de location.
- d) Cette garantie ne couvre pas les dommages résultant d'une modification ou d'une réparation non autorisée.
- e) Cette garantie couvre uniquement les défauts survenant dans des conditions normales d'utilisation et ne couvre aucun dysfonctionnement ou défaut ni aucune défaillance découlant d'un usage inapproprié ou abusif (notamment la surcharge du produit et son immersion dans l'eau ou dans tout autre liquide), d'un accident, d'une négligence, d'une installation inadéquate et de tout entretien ou entreposage inadéquat.

- f) Cette garantie ne couvre pas la détérioration normale du fini extérieur, notamment les rayures, les bosselures, les craquelures de la peinture ni toute corrosion ou décoloration résultant de la chaleur, de produits abrasifs et de nettoyeurs chimiques.

RÉCLAMATION AU TITRE DE LA GARANTIE

Pour faire une réclamation au titre de la garantie, veuillez communiquer avec le service à la clientèle d'EGO au 1 855 EGO-5656 (numéro sans frais). Lorsque vous faites une réclamation au titre de la garantie, vous devez présenter le reçu de vente original. Un centre de service autorisé sera sélectionné pour la réparation du produit conformément aux conditions de garantie prescrites.

RESTRICTIONS SUPPLÉMENTAIRES

Dans les limites prescrites par la législation locale, toutes les garanties implicites, notamment les garanties de QUALITÉ MARCHANDE ou d'ADÉQUATION POUR UN USAGE PARTICULIER, sont non valides. Toute garantie implicite, notamment les garanties de qualité marchande ou d'adéquation pour un usage particulier, qui ne peut être déclinée en vertu de la législation provinciale est limitée à cinq (5) ans à compter de la date d'achat pour l'équipement électrique d'extérieur et à trois (3) ans à compter de la date d'achat pour les chargeurs et blocs-piles.

Chervon North America n'est pas responsable des dommages accessoires, consécutifs, indirects ou directs.

Certaines provinces et certains États n'autorisent pas les restrictions de durée de garantie implicite, ou l'exclusion ou la restriction des dommages consécutifs et accessoires; c'est pourquoi les restrictions ci-dessus peuvent ne pas s'appliquer à votre cas.

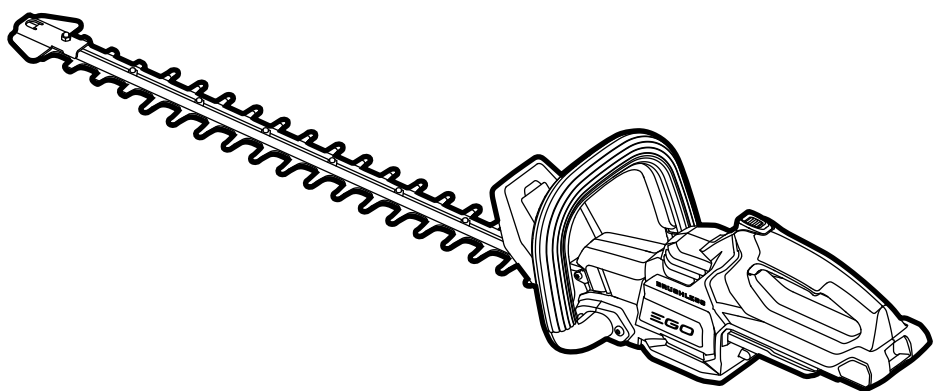
La présente garantie vous confère des droits précis. Il est possible que vous disposiez également d'autres droits, qui varient d'une province ou d'un État à l'autre.

Pour communiquer avec le service à la clientèle, veuillez composer le numéro sans frais suivant : 1 855 EGO-5656 ou consulter le site Web EGOPOWERPLUS.COM.

EGO Customer Service, 120 Ionia Street SW / Suite 102 Grand Rapids, MI 49503 États-Unis

EGO™

POWER⁺ HEDGE TRIMMER



MANUAL DE FUNCIONAMIENTO

ORILLADORA INALÁMBRICA DE ION DE LITIO DE 56 VOLTIOS

MODELO NÚMERO HT2410

⚠ ADVERTENCIA: para reducir el riesgo de lesiones, el usuario debe leer y comprender el Manual del usuario antes de usar este producto. Guarde estas instrucciones para consultarlas en el futuro.

ÍNDICE

Símbolos de seguridad	60
Instrucciones de seguridad	61-69
Introducción	69
Especificaciones	69
Ensamblaje	70
Lista del paquete	70
Descripción	71-72
Funcionamiento	73-78
Mantenimiento	79-81
Solución de problemas	82-83
Garantía	84-85

¡LEA TODAS LAS INSTRUCCIONES!



LEA Y COMPRENDA
EL MANUAL DEL OPERADOR

⚠ ADVERTENCIA: algunas partículas generadas por las herramientas de corte contienen químicos que, en el estado de California, se reconocen como posibles causante de cáncer, malformaciones congénitas u otros daños en los órganos reproductivos. Algunos ejemplos de estos químicos son los siguientes:

- Plomo de pinturas a base de plomo
- Sílice cristalina de ladrillos y cemento y de otros productos de mampostería.
- Arsénico y cromo de madera tratada químicamente.

El riesgo por estas exposiciones varía según la frecuencia con la que realice este tipo de trabajo. Medidas para reducir la exposición a estos químicos: trabaje en un área bien ventilada y con el equipo de seguridad aprobado, como máscaras antipolvo especialmente diseñadas para filtrar partículas microscópicas.

SÍMBOLOS DE SEGURIDAD

Estos símbolos de seguridad se utilizan para advertirle sobre los posibles peligros. Los símbolos de seguridad y las explicaciones que los acompañan merecen cuidadosa atención y comprensión. Por sí solos, los símbolos de advertencia no eliminan los peligros. Las instrucciones y advertencias que proporcionan no reemplazan a las medidas adecuadas de prevención de accidentes.

⚠️ ADVERTENCIA: antes de utilizar esta herramienta, asegúrese de leer y comprender todas las instrucciones de seguridad en este Manual del usuario, incluidos todos los símbolos de alerta de seguridad como "PELIGRO", "ADVERTENCIA" y "PRECAUCIÓN". Si no se siguen todas las instrucciones que se indican a continuación, se pueden producir descargas eléctricas, incendios o lesiones personales graves.

SIGNIFICADO DE LOS SÍMBOLOS

⚠️ SÍMBOLO DE ALERTA DE SEGURIDAD: indica PELIGRO, ADVERTENCIA O PRECAUCIÓN. Puede emplearse junto con otros símbolos o pictografías.




⚠️ ¡ADVERTENCIA! El funcionamiento de cualquier herramienta eléctrica puede causar que se disparen objetos extraños hacia sus ojos, lo que puede resultar en daños graves en los ojos. Antes de comenzar a operar una herramienta eléctrica, use siempre gafas protectoras o anteojos de seguridad con protección lateral y un protector facial si es necesario. Le recomendamos usar una máscara de seguridad de visión amplia sobre anteojos o anteojos de seguridad estándar con protección lateral. Use siempre protección ocular con la marca de cumplimiento de la norma ANSI Z87.1.

INSTRUCCIONES DE SEGURIDAD

Esta página presenta y describe los símbolos de seguridad que pueden aparecer en este producto. Lea, comprenda y siga todas las instrucciones que figuran en la máquina antes de intentar ensamblarla y operarla.

	Alerta de seguridad	Indica un peligro potencial de producir lesiones.
	Lea y comprenda el manual del operador	Para reducir el riesgo de lesiones, el usuario debe leer y comprender el Manual del usuario antes de usar este producto.
	Lentes de protección	Use siempre gafas de seguridad o anteojos con protección lateral y un protector facial al operar este producto.
	Peligro: mantenga las manos alejadas de las cuchillas	El contacto con una cuchilla provoca lesiones personales graves.
	Símbolos de reciclaje	Este producto usa baterías de iones de litio. Es posible que las leyes municipales, provinciales o nacionales prohíban desechar las baterías con los residuos comunes. Consulte a la autoridad local en materia de residuos sobre las opciones de eliminación y reciclaje disponibles.
IPX4	Grado de protección de admisión	Protección contra salpicaduras de agua
V	Voltio	Voltaje
mm	Milímetro	Longitud o tamaño
pulg.	Pulgada	Longitud o tamaño

	Corriente continua	Tipo o característica de la corriente
n_0	Velocidad sin carga	Velocidad de rotación, sin carga
SPM	Golpes por minuto	Velocidad de golpe, sin carga
kg	Kilogramo	Peso
lb	Libra	Peso

ADVERTENCIAS DE SEGURIDAD GENERALES PARA HERRAMIENTAS ELÉCTRICAS

⚠ ADVERTENCIA: lea todas las advertencias e instrucciones de seguridad. No seguir las advertencias e instrucciones que se indican a continuación podría resultar en descargas eléctricas, incendios y/o lesiones personales graves.

Conserve todas las advertencias e instrucciones para usarlas como referencia en el futuro.

El término "herramienta eléctrica" de las advertencias se refiere a la herramienta eléctrica que debe estar enchufada para funcionar (alámbrica) o a la herramienta eléctrica que funciona a batería (inalámbrica).

SEGURIDAD EN EL ÁREA DE TRABAJO

- **Mantenga el área de trabajo limpia y bien iluminada.** Las áreas desordenadas y oscuras pueden provocar accidentes.
- **No utilice herramientas eléctricas en ambientes en los que se puedan producir explosiones, como en los que se encuentran líquidos, gases o polvos inflamables.** Las herramientas eléctricas generan chispas que pueden encender el polvo o los gases.
- **Los niños y otras personas deben mantenerse alejados mientras se usa una herramienta eléctrica.** Las distracciones pueden hacer que pierda el control de la herramienta.

SEGURIDAD ELÉCTRICA

- **Los enchufes de las herramientas eléctricas deben coincidir con el tomacorriente. Nunca modifique el enchufe de ningún modo. No use ningún adaptador de enchufe con herramientas eléctricas de conexión a tierra (puesta a tierra).** Los enchufes sin modificar y los tomacorrientes adecuados reducirán el riesgo de descarga eléctrica.
- **Evite el contacto corporal con las superficies con conexión a tierra, como tuberías, radiadores, estufas y refrigeradores.** El riesgo de descarga eléctrica aumenta si su cuerpo está conectado a tierra o con puesta a tierra.
- **No maltrate el cable. Nunca use el cable para transportar, jalar o desenchufar la herramienta eléctrica. Mantenga el cable alejado del calor, el aceite, los bordes filosos o las piezas móviles.** Si el cable está dañado o enredado, aumenta el riesgo de electrocución.

- **Al utilizar una herramienta eléctrica en exteriores, use una extensión eléctrica para uso en exteriores.** El uso de una extensión para uso en exteriores reduce el riesgo de electrocución.
- Si no puede evitar operar una herramienta eléctrica en condiciones de humedad, use un suministro protegido por un dispositivo de corriente residual (GFCI, por sus siglas en inglés). El uso de un GFCI reduce el riesgo de descarga eléctrica.

SEGURIDAD PERSONAL

- **Manténgase atento, mire lo que está haciendo y aplique el sentido común cuando utilice una herramienta eléctrica. No utilice una herramienta eléctrica si está cansado o bajo la influencia de drogas, alcohol o algún medicamento.** Un momento de distracción mientras opera una herramienta eléctrica puede provocar graves lesiones personales.
- **Use equipo de protección personal. Siempre use lentes de protección.** El equipo de protección, como mascarillas antipolvo, zapatos de seguridad antideslizantes, cascos o protección auditiva, usado para las condiciones adecuadas reducirá las lesiones personales.
- **Prevenga los arranques involuntarios. Asegúrese de que el interruptor se encuentre en la posición de apagado antes de conectar la herramienta a la fuente de alimentación o el paquete de batería y antes de levantarla o transportarla.** Si transporta las herramientas eléctricas con el dedo en el interruptor o las enchufa con el interruptor en la posición de encendido, pueden producirse accidentes.
- **Retire toda llave de tuercas o herramienta de ajuste antes de encender la herramienta eléctrica.** Si se deja una llave de tuercas colocada en una pieza móvil de la herramienta eléctrica, se pueden producir lesiones graves.
- **No trate de llegar más allá de donde alcance. Manténgase bien parado y en una posición equilibrada.** Esto permite tener un mejor control de la herramienta eléctrica en situaciones inesperadas.
- **Utilice la ropa indicada. No use ropa suelta ni joyas. Mantenga su cabello, ropa y guantes alejados de las piezas móviles.** La ropa suelta, las joyas o el cabello largo pueden quedar atrapados en las piezas móviles.

- **Si se proporcionan dispositivos para la conexión de aparatos de extracción y recolección de polvo, asegúrese de que estén conectados y de que se usen correctamente.** El uso de dispositivos antipolvo puede reducir los peligros relativos al polvo.

USO Y CUIDADO DE LA HERRAMIENTA ELÉCTRICA

- **No fuerce la herramienta eléctrica. Use la herramienta eléctrica correcta para su aplicación.** La herramienta eléctrica correcta hará mejor el trabajo y de manera más segura al ritmo para el que se diseñó.
- **No use la herramienta eléctrica si el interruptor no la enciende o la apaga.** Si una herramienta eléctrica no puede controlarse mediante el interruptor, resulta peligrosa y debe repararse.
- **Desconecte el enchufe de la fuente de alimentación o el paquete de batería de la herramienta eléctrica antes de hacer ajustes, cambiar accesorios o guardarla.** Estas medidas preventivas de seguridad reducen el riesgo de arrancar accidentalmente la herramienta eléctrica.
- **Guarde las herramientas eléctricas que no se utilizan fuera del alcance de los niños y no permita que las utilicen personas que no estén familiarizadas con ellas o con estas instrucciones.** Las herramientas eléctricas son peligrosas en manos de usuarios no preparados.
- **Realice el mantenimiento de las herramientas eléctricas. Compruebe que no haya desalineaciones ni obstáculos para las piezas móviles, que las piezas no estén rotas ni en ninguna otra condición que pueda afectar el funcionamiento de la herramienta eléctrica. Si hay daños, haga reparar la herramienta eléctrica antes de usarla.** Muchos accidentes son consecuencia de la falta de mantenimiento de las herramientas eléctricas.
- **Mantenga las herramientas de corte afiladas y limpias.** Las herramientas de corte que se mantienen a punto, con los bordes de corte afilados, son menos propensas a atascarse y más fáciles de controlar.
- **Use la herramienta eléctrica, los accesorios, las brocas, etc. de acuerdo con estas instrucciones, si se toma en cuenta las condiciones de trabajo y el trabajo que realizará.** El uso de la herramienta eléctrica en usos que no son los previstos puede producir una situación de peligro.

USO Y CUIDADO DE LA HERRAMIENTA A BATERÍA

- **Recárguela solo con el cargador que especifica el fabricante.** Si un cargador que es apto para un tipo de paquete de batería se utiliza con otro paquete de batería, existe el riesgo de que se produzca un incendio.
- **Use las herramientas eléctricas solo con paquetes de batería designados específicamente.** El uso de cualquier otro paquete de batería puede generar el riesgo de que se produzcan lesiones o incendios.
- **Cuando el paquete de baterías no se use, manténgalo alejado de otros objetos metálicos, como clips para papeles, monedas, clavos, tornillos u otros objetos de metal pequeños que puedan crear una conexión de una terminal a la otra.** La conexión de los terminales entre sí de la batería puede producir quemaduras o incendios.
- **En condiciones de uso indebido, puede salir líquido de la batería. Evite el contacto con este líquido. Si entra en contacto con el líquido accidentalmente, enjuáguese con agua.** Si el líquido entra en contacto con los ojos, busque además ayuda médica. El líquido que libera la batería puede causar irritación o quemaduras.

SERVICIO

- **Haga revisar la herramienta eléctrica por una persona calificada y use solo piezas de repuesto idénticas.** Esto asegurará que se mantenga la seguridad de la herramienta eléctrica.

ADVERTENCIAS DE SEGURIDAD PARA LA CORTADORA DE ORILLAS

⚠ PELIGRO – mantenga las manos alejadas de la cuchilla. El contacto con una cuchilla provoca lesiones personales graves.

- **Mantenga todas las partes del cuerpo alejadas de la cuchilla de corte. No retire el material de corte ni sostenga el material a cortar cuando las cuchillas estén en movimiento. Asegúrese de que el interruptor esté apagado cuando retire materiales atascados. Las cuchillas giran incluso después de apagar la herramienta.** Un momento de falta de atención mientras opera la cortadora de orillas puede provocar lesiones personales graves.

- **Transporte la cortadora de orillas por la empuñadura con la cuchilla de corte detenida.** La manipulación adecuada de la cortadora de orillas reduce la posibilidad de que se produzcan lesiones personales provocadas por las cuchillas de corte.
- **Sostenga la herramienta eléctrica solo por las superficies de agarre aisladas, ya que la cuchilla de corte puede entrar en contacto con cableado oculto.** Si las cuchillas de corte entran en contacto con un cable con corriente puede provocar que las piezas metálicas expuestas de la herramienta eléctrica conduzcan corriente, lo que podría provocar una descarga eléctrica al operador.
- **Mantenga el cable alejado del área de corte.** Durante el funcionamiento, es posible que el cable quede oculto en los arbustos y que la cuchilla lo corte accidentalmente.
- **Use ambas manos al operar la cortadora de orillas. Usar una sola mano podría provocar pérdida de control y producir lesiones personales graves.**

INSTRUCCIONES IMPORTANTES DE SEGURIDAD

- No cargue el paquete de baterías bajo la lluvia o en lugares húmedos.
- Use la herramienta solo con los paquetes de baterías y cargadores que se mencionan a continuación:

BATERÍA	CARGADOR
BA1120, BA1400, BA2240	CH2100
BA2800, BA4200	CH5500

- No tome las cuchillas de corte expuestas ni los bordes de corte al levantar o sostener la cortadora de orillas.
- No use en una escalera, tejado, árbol ni otro soporte inestable. Un punto de apoyo estable sobre una superficie sólida permite un mejor control de la cortadora de orillas en situaciones inesperadas.
- Nunca permita que niños operen la cortadora de orillas.
- Nunca manipule ni quite los dispositivos de seguridad. Revise regularmente que funcionen de manera correcta. No haga nada que pueda interferir con el funcionamiento previsto de un dispositivo de seguridad o reduzca la protección que brinda un dispositivo de seguridad.
- Nunca opere la cortadora de orillas si las protecciones o placas adecuadas o si otros dispositivos de protección de seguridad no se encuentran en su lugar.

- Revise si hay piezas dañadas antes de continuar usando la cortadora de orillas. Se debe revisar con cuidado cualquier pieza dañada para determinar si funciona correctamente y si cumple su función específica. Compruebe que las piezas móviles estén alineadas y que no estén dobladas ni rotas, que el montaje sea el correcto y cualquier otra condición que pueda afectar el funcionamiento de la herramienta. Todas las piezas dañadas deben repararse de manera adecuada o cambiarse en un centro de servicio autorizado, a menos que se indique lo contrario en este manual.
- Revise los pernos de montaje de la cuchilla y del motor con frecuencia para verificar que estén bien ajustados. Además, inspeccione visualmente la cuchilla para controlar que no haya daños (por ejemplo, dobladuras, grietas y desgaste). Reemplace la cuchilla solo con una cuchilla del fabricante original del equipo (OEM, por sus siglas en inglés).
- Reemplace la cuchilla si está doblada o agrietada. Una cuchilla desequilibrada causa vibración, lo que puede dañar la unidad propulsora del motor o provocar lesiones personales.
- Si el equipo comienza a vibrar de un modo anormal, detenga el motor y busque inmediatamente la causa. La vibración, generalmente, advierte un problema.
- La cortadora debe usarse para cortar tallos de menos de 26 mm (1 pulg) de grosor.
- Corte solo durante el día o con buena luz artificial.
- Retire o desconecte la batería antes de hacer el mantenimiento, limpiar o quitar material de la cortadora de orillas.
- No lave la cortadora de orillas con una manguera; evite que el motor y las conexiones eléctricas se mojen.
- Cuando realice el mantenimiento, use solamente piezas de repuesto idénticas a las que se indican en este manual. El uso de piezas que no coincidan con las especificaciones del equipo original puede provocar fallas de funcionamiento o poner en riesgo la seguridad.
- Siga las instrucciones para lubricar y cambiar los accesorios.
- Mantenga las empuñaduras limpias, secas y sin aceite ni grasa.

- **Guarde estas instrucciones.** Consúltelas con frecuencia y úselas para dar instrucciones a otras personas que puedan usar esta herramienta. Si le presta esta herramienta a alguien, préstele también estas instrucciones para evitar el mal uso del producto y posibles lesiones.

GUARDE ESTAS INSTRUCCIONES!

INTRODUCCIÓN


Felicitaciones por elegir la nueva cortadora de orillas eléctrica de iones de litio de 56 V de última generación. Está pensada, diseñada y fabricada para brindarle el mejor rendimiento y confiabilidad posibles.

En caso de que tuviera algún problema que no pudiera resolver fácilmente, póngase en contacto con el Centro de Servicio al Cliente de EGO llamando al 1-855-EGO-5656.

Este manual contiene información importante para el ensamble, el funcionamiento y el mantenimiento seguro de su producto. Léalo atentamente antes de usar el producto. Mantenga este manual a mano para poder consultarlo en cualquier momento.

NÚMERO DE SERIE _____ FECHA DE COMPRA _____
DEBE ANOTAR EL NÚMERO DE SERIE Y LA FECHA DE COMPRA Y CONSERVARLOS EN UN LUGAR SEGURO PARA CONSULTARLOS EN EL FUTURO.

ESPECIFICACIONES

Voltaje	56V 
Velocidad sin carga (n_0)	3000 SPM (golpes por minuto)
Largo de corte	610 mm (24 pulg)
Peso (sin paquete de baterías, protector)	2,80 kg (6,16 lb)

ENSAMBLE

⚠ ADVERTENCIA: si faltan piezas o estas están dañadas, no opere este producto hasta reemplazar dichas piezas. El uso de este producto con piezas dañadas o faltantes podría provocar lesiones graves.

⚠ ADVERTENCIA: no intente modificar este producto ni crear accesorios que no estén recomendados para usar con esta cortadora de orillas. Cualquier alteración o modificación de ese tipo representa un mal uso y puede generar condiciones peligrosas que causen posibles lesiones personales graves.

⚠ ADVERTENCIA: para evitar el arranque accidental que podría provocar lesiones personales graves, quite siempre el paquete de baterías de la herramienta antes de ensamblar las piezas, realizar ajustes, limpiar el producto o cuando no esté en uso.

DESEMBALAJE

Este producto se ha enviado completamente ensamblado.

- Retire con cuidado el producto y cualquier accesorio de la caja. Asegúrese de que todos los elementos que aparecen en la lista de empaque estén incluidos.
- Inspeccione la herramienta con cuidado para asegurarse de que no se haya roto ni se hayan dañado piezas durante el envío.
- No deseche el embalaje hasta que no haya inspeccionado cuidadosamente la herramienta y sepa que funciona correctamente.
- Si hay alguna pieza dañada o faltante, devuelva el producto al lugar donde lo compró.

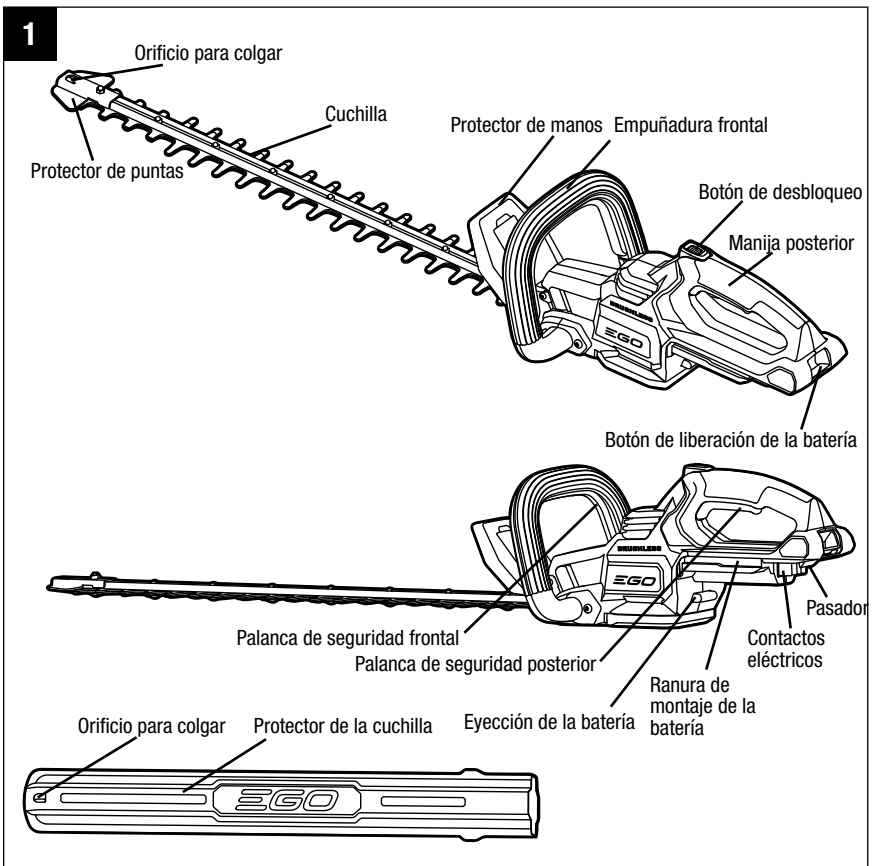
LISTA DE EMPAQUE

NOMBRE DE LA PIEZA	CANTIDAD
Cortadora de orillas	1
Protector de la cuchilla	1
Manual del usuario	1

DESCRIPCIÓN

CONOZCA SU CORTADORA DE ORILLAS (Fig. 1)

El uso seguro de este producto requiere la comprensión de la información impresa en la herramienta y en el Manual del usuario, así como ciertos conocimientos sobre el proyecto a realizar. Antes de usar este producto, familiarícese con todas las características operativas y reglas de seguridad.



Protector de manos

Ayuda a proteger las manos del operador y desvía las astillas u otros desechos de este.

Empuñadura frontal

Facilita el control de la herramienta.

Manija posterior

Manija ergonómica que mejora la comodidad y el agarre.

Botón de desbloqueo

Contribuye a evitar la activación accidental o no autorizada de la palanca de seguridad. Debe liberarse antes de activar el gatillo interruptor.

Palanca de seguridad frontal/Palanca de seguridad posterior

La cortadora de orillas puede arrancarse solo si ambas palancas de seguridad (en las empuñaduras frontal y posterior) se presionan simultáneamente.

Cuchillas

Cuchillas de acero endurecido para cortar orillas y arbustos.

Protector de la cuchilla

El protector de la cuchilla evita que el operador entre en contacto con las cuchillas afiladas cuando la herramienta no está en uso. También evita que las cuchillas se mellen o dañen cuando se transporta la herramienta o cuando está almacenada.

Protector de puntas

Protege el extremo exterior de la cuchilla.

Botón de liberación de la batería

Presione para liberar el paquete de batería de la herramienta.

Pasador

Bloquea la batería en su lugar cuando está instalada en la herramienta.

Eyección de la batería

Ayuda para retirar la batería.

FUNCIONAMIENTO

⚠ ADVERTENCIA: no permita que familiarizarse con este producto lo vuelva imprudente. Recuerde que un descuido de una fracción de segundo es suficiente para ocasionar lesiones graves.

⚠ ADVERTENCIA: use siempre lentes de protección que cumplan con la norma ANSI Z87.1. De lo contrario, podría provocar que se disparen objetos hacia sus ojos y otras posibles lesiones graves.

⚠ ADVERTENCIA: no use ningún aditamento ni accesorio que no haya sido recomendado por el fabricante de este producto. El uso de aditamentos o accesorios diferentes a los recomendados podría provocar lesiones graves.

⚠ ADVERTENCIA: para evitar lesiones personales graves, retire el paquete de baterías de la herramienta antes de realizarle mantenimiento, limpiarla, cambiar los accesorios o retirar materiales de la unidad.

Antes de cada uso, inspeccione todo el producto en busca de piezas dañadas, faltantes o sueltas, como tornillos, tuercas, pernos, tapas, etc. Apriete bien todos los sujetadores y tapas y no opere este producto hasta que se hayan reemplazado todas las piezas faltantes o dañadas.

APLICACIONES

Puede usar este producto para los fines que se indican a continuación.

- Cortar orillas, matorrales y arbustos con ramas de menos de 26 mm (1 pulg) de diámetro.

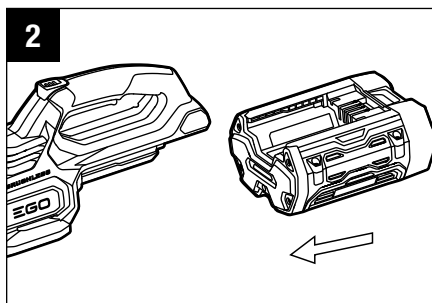
INSTALACIÓN Y EXTRACCIÓN DEL PAQUETE DE BATERÍAS (Fig. 2 y 3)

NOTA: cargue completamente el paquete de baterías antes de usarlo por primera vez.

Instalación del paquete de baterías (Fig. 2)

- Alinee las aletas del paquete de baterías con las ranuras de montaje de la batería en la cortadora de orillas.
- Deslice el paquete de baterías hasta que encaje en su posición.

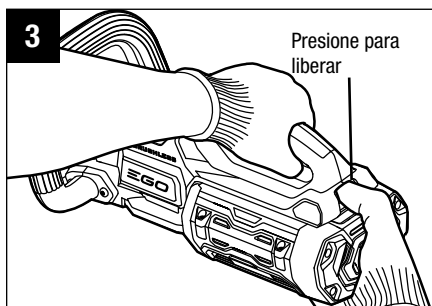
NOTA: asegúrese de que el pasador de la cortadora de orillas encaje en su lugar y que el paquete de baterías esté bien colocado en la herramienta antes de comenzar a operar.



Extracción del paquete de baterías (Fig. 3)

⚠ ADVERTENCIA: siempre tenga cuidado con la ubicación de sus pies, los niños o las mascotas cuando presione el botón de liberación de la batería. Se podrían provocar lesiones graves si se cae el paquete de baterías. **NUNCA** retire el paquete de baterías cuando esté en un lugar alto.

- Presione el botón de liberación de la batería y el paquete de baterías se separará del pasador.
- Tome el paquete de baterías y retírelo de la cortadora de orillas.



MODO DE SOSTENER LA CORTADORA DE ORILLAS (Fig. 4, 5 y 6)

La unidad cuenta con una empuñadura frontal y una posterior. Con la cuchilla apuntando en sentido contrario a usted, sostenga la unidad de ambas empuñaduras.

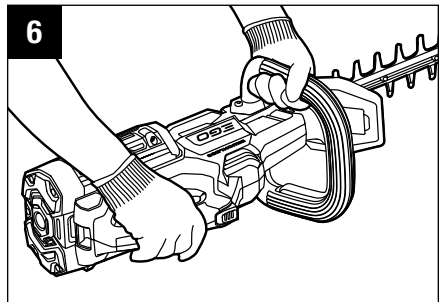
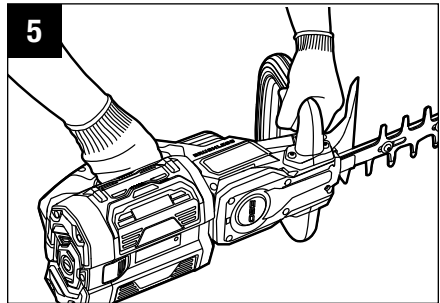
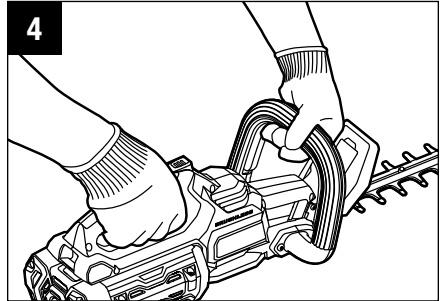
La palanca de seguridad de la empuñadura frontal puede activarse en cualquiera de los tres lados, ofreciéndole varias opciones para un agarre cómodo cuando realice cortes.

⚠ ADVERTENCIA: mantenga siempre ambas manos en las empuñaduras de la cortadora de orillas. Nunca sostenga los arbustos con una mano mientras opera la cortadora de orillas con la otra. Si no se respeta esta advertencia, se podrían producir lesiones graves.

PARA ENCENDER Y APAGAR LA CORTADORA DE ORILLAS

Antes de arrancar la cortadora de orillas:

- Asegúrese de tener un buen punto de apoyo, con los pies firmes y en equilibrio.
- Párese derecho y sostenga la cortadora de orillas en una posición relajada.
- Retire el protector de la cuchilla.
- Asegúrese de que la cuchilla de corte no toque el piso ni otros objetos.
- Sostenga la unidad con ambas manos: una mano en la empuñadura posterior y otra en la frontal.



PARA ARRANCAR LA CORTADORA DE ORILLAS

1. Instale el paquete de baterías.
2. Mantenga presionada la palanca de seguridad en la empuñadura frontal con una mano.
3. Mantenga presionado con el pulgar de la otra mano el botón de desbloqueo. Luego, apriete la palanca de seguridad posterior con los dedos para hacer arrancar la cortadora de orillas. Suelte el botón de desbloqueo y continúe apretando el interruptor para que la máquina siga en funcionamiento.

PARA DETENER LA CORTADORA DE ORILLAS

Aleje la cortadora de orillas del área de corte y suelte la palanca de seguridad posterior para detenerla.

⚠ ADVERTENCIA: retire siempre la batería de la cortadora de orillas durante pausas en el trabajo y después de finalizarlo.

USO DE LA CORTADORA DE ORILLAS

⚠ ADVERTENCIA: si la cuchilla se atasca en algún cable o línea, NO TOQUE LA CUCHILLA. PUEDE ELECTRIFICARSE Y SER MUY PELIGROSA. Continúe sosteniendo la cortadora de orillas de la empuñadura aislante posterior y aléjela de usted de manera segura. Desconecte el servicio eléctrico que va hacia la línea o el cable dañado antes de intentar liberar la cuchilla de la línea o el cable. Si no se respeta esta advertencia, se podrían producir lesiones graves o la muerte.

⚠ ADVERTENCIA: si faltan piezas o están dañadas o rotas, no opere la cortadora hasta reemplazar dichas piezas. De lo contrario, se pueden producir lesiones personales graves.

⚠ ADVERTENCIA: para evitar dichas lesiones personales graves, use siempre tanto la empuñadura posterior como la frontal para sostener la cortadora de orillas durante el funcionamiento.

⚠ ADVERTENCIA: para evitar lesiones personales graves, mantenga las manos alejadas de las cuchillas. No intente retirar el material de corte ni sostenga el material a cortar cuando las cuchillas estén en movimiento. Asegúrese de que las cuchillas se hayan detenido por completo y de retirar el paquete de baterías antes de quitar el material obstruido de las cuchillas. No tome las cuchillas de corte expuestas o los bordes de corte al levantar o sostener la unidad.

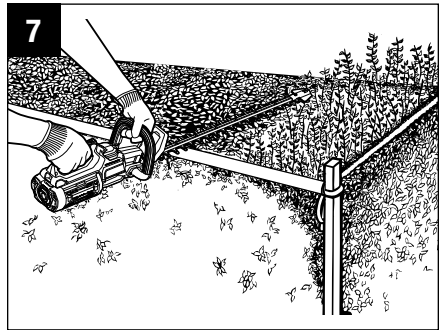
⚠ ADVERTENCIA: limpie el área que cortará antes de cada uso. Retire todos los objetos, como cables, luces, alambres o cordeles que puedan enredarse en la cuchilla de corte y provocar un riesgo de lesiones personales graves.

- Antes de arrancar la cortadora de orillas, mantenga un apoyo de pies y un equilibrio adecuados y no se extienda demasiado. Use gafas de seguridad, zapatos antideslizantes y guantes de goma. Sostenga la unidad con ambas manos con las cuchillas de corte apuntando lejos de usted. Use siempre la cortadora de orillas de manera adecuada.

- No corte demasiado de una sola vez. Esto podría hacer que las cuchillas se doblen, reduciendo la eficacia de corte.
- No fuerce la cortadora de orillas para cortar arbustos frondosos. Esto podría causar que las cuchillas se doblen y que se pierda velocidad. Si las cuchillas pierden velocidad, reduzca el ritmo de su trabajo.
- Cuando corte vegetación nueva, use un movimiento de barrido amplio, de manera que los tallos entren en contacto directo con la cuchilla de corte. La vegetación más asentada tiene tallos más gruesos y se corta con mayor facilidad si usa un movimiento de aserrado.
- Siempre corte tallos o ramas de menos de 26 mm (1 pulg) de grosor. Use una sierra de mano manual o una sierra de podar para cortar tallos grandes.

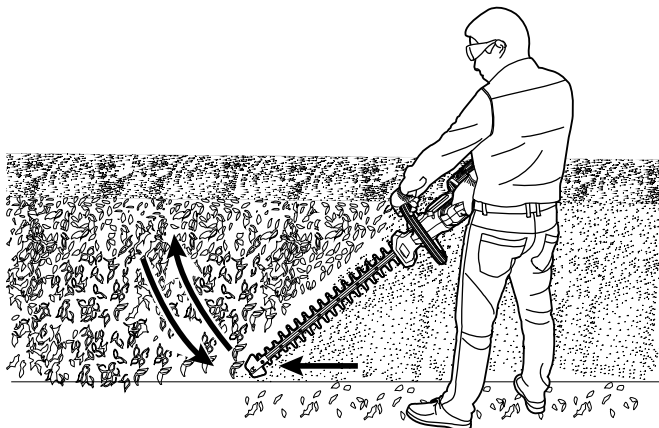
CORTE SUPERIOR (Fig. 7)

Use un movimiento de barrido amplio. Si las cuchillas de corte se inclinan ligeramente hacia abajo en dirección del movimiento, se obtienen los mejores resultados de corte. Si lo desea, puede utilizar una cuerda como guía para marcar el nivel en que desea cortar la orilla. Decida el alto que desea que tenga la orilla. Luego, coloque un trozo de cuerda a lo largo de la orilla en este alto. Corte la orilla justo por arriba de esta línea de guía.



CORTE LATERAL (Fig. 8)

Al cortar los lados de la orilla, comience por abajo y corte hacia arriba. Corte el costado de una orilla para que quede ligeramente más estrecha en la parte superior. Esta forma expondrá más de la orilla a la luz del sol y permitirá un crecimiento más uniforme.

8

MANTENIMIENTO

⚠ ADVERTENCIA: al realizarle mantenimiento, use solo piezas de repuesto idénticas. El uso de otras piezas puede generar un peligro o dañar el producto. Para garantizar la seguridad y fiabilidad, todas las reparaciones las debe realizar un técnico calificado.

⚠ ADVERTENCIA: para evitar lesiones personales graves, retire siempre el paquete de baterías del producto cuando realice limpieza o cualquier tipo de mantenimiento.

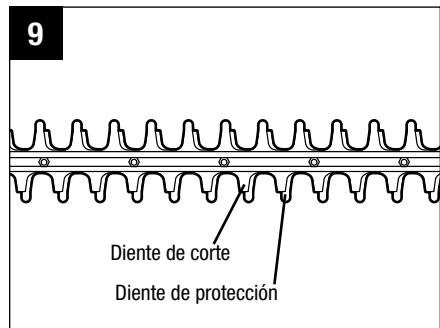
LIMPIEZA

- Use un cepillo suave para eliminar desechos de las entradas de aire y las cuchillas de corte.
- Para eliminar la resina y otros residuos pegajosos, rocíe las cuchillas con solvente de resina. Haga funcionar el motor brevemente de manera que el solvente se distribuya uniformemente.
- Limpie la superficie con un paño seco.

⚠ ADVERTENCIA: nunca utilice agua para limpiar la cortadora. Evite el uso de solventes para limpiar las piezas de plástico. La mayoría de los plásticos son susceptibles a diferentes tipos de solventes comerciales. Utilice un paño limpio para eliminar la suciedad, el polvo, el aceite, la grasa, etc.

PARA AFILAR LA CUCHILLA DE CORTE

1. Arranque y detenga su cortadora de orillas hasta que la cuchilla de corte y el protector estén levemente fuera de lugar, como se muestra en la figura 9, para obtener la separación de la lima entre el diente de corte y el diente de protección.
2. Retire el paquete de baterías de la cortadora de orillas.



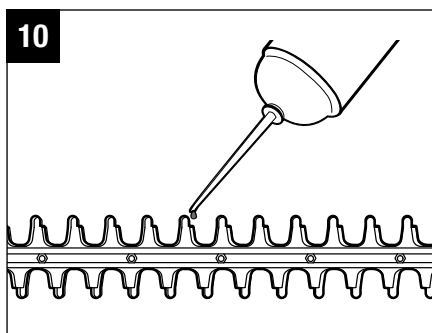
3. Sujete el ensamble de la cuchilla con una grapa y lime la superficie de corte expuesta de cada diente de la cuchilla. Retire la menor cantidad posible de material. Asegúrese de mantener el ángulo original de cada diente cuando lo lime.
4. Retire la cortadora de orillas de la grapa; vuelva a arrancarla y detenerla para exponer los bordes sin afilar de los dientes de la cuchilla.
5. Retire el paquete de baterías y repita el procedimiento de afilado anterior.

NOTA: no opere su cortadora de orillas si las cuchillas de corte están desgastadas o dañadas, ya que podría provocar una sobrecarga y originar resultados de corte insatisfactorios.

PARA LUBRICAR LA CUCHILLA (Fig. 10)

Para obtener un mejor funcionamiento y prolongar la vida útil de la cuchilla, lubrique la cuchilla de la cortadora de orillas antes y después de cada uso con aceite para máquinas livianas.

1. Retire la batería de la cortadora de orillas.
2. Deje la cortadora de orillas sobre una superficie plana. Aplique un poco de aceite para máquinas livianas a lo largo del borde de la cuchilla superior. Si va a utilizar la cortadora de orillas por un tiempo prolongado, se recomienda detenerla, retirar la batería y aceitar la cuchilla durante el uso.



NOTA: no aceite la cuchilla cuando cortadora de la orillas esté en funcionamiento.

TRANSPORTE Y ALMACENAJE

- Coloque siempre el protector de la cuchilla en la cuchilla antes de almacenar o transportar la cortadora de orillas. Tenga cuidado de evitar los dientes afilados de la cuchilla.
- Limpie bien la cortadora de orillas antes de almacenarla.
- Almacene la cortadora de orillas en interiores, en un lugar seco que no sea accesible para los niños.

- Mantenga alejada de agentes corrosivos, como productos químicos para jardín y sales para derretir hielo.

⚠ ADVERTENCIA: las cuchillas son afiladas. Cuando manipule el ensamble de la cuchilla, utilice guantes de protección antideslizantes para trabajo pesado. No coloque su mano ni los dedos entre las cuchillas o en alguna posición donde puedan quedar atrapados o cortarse. NUNCA toque las cuchillas ni realice mantenimiento a la unidad con la batería instalada.

SOLUCIÓN DE PROBLEMAS

PROBLEMA	CAUSA	SOLUCIÓN
La cortadora de orillas no funciona.	<ul style="list-style-type: none"> ■ El paquete de baterías no está colocado en la cortadora de orillas. ■ No hay contacto eléctrico entre la cortadora de orillas y la batería. ■ El paquete de baterías está agotado. ■ El paquete de baterías o la cortadora de orillas están muy calientes. ■ Las palancas de seguridad posterior y frontal no se presionaron simultáneamente. ■ La cuchilla está obstruida. 	<ul style="list-style-type: none"> ■ Coloque el paquete de baterías en la cortadora de orillas. ■ Retire la batería, revise los contactos y vuelva a instalar el paquete de batería. ■ Cargue el paquete de baterías. ■ Retire el paquete de baterías de la cortadora de orillas y deje enfriar hasta que la temperatura de la herramienta o del paquete de baterías descienda por debajo de los 67 °C (152 °F). ■ Primero presione el botón de desbloqueo. Luego, presione simultáneamente las palancas de seguridad en las empuñaduras frontal y posterior. ■ Retire la batería de la herramienta, retire la obstrucción con cuidado y vuelva a insertar la batería y a arrancar la herramienta.

PROBLEMA	CAUSA	SOLUCIÓN
<p>Vibración o ruido excesivos.</p>	<ul style="list-style-type: none"> ■ Las cuchillas están secas o corroídas. ■ Las cuchillas o el soporte de las cuchillas están doblados. ■ Dientes doblados o dañados. ■ Los pernos de la cuchilla están sueltos. 	<ul style="list-style-type: none"> ■ Lubrique las cuchillas como se indica en las instrucciones de la sección "PARA LUBRICAR LA CUCHILLA" de este manual. ■ Reemplace por una cuchilla o un soporte nuevo. Póngase en contacto con el servicio de repuestos para cuchillas de EGO. ■ Reemplace por una cuchilla nueva. Póngase en contacto con el servicio de repuestos para cuchillas de EGO. ■ Apriete los pernos de la cuchilla. Con una llave hexagonal de 3 mm (1/8"), gire el perno en dirección de las manecillas del reloj para apretarlo.

GARANTÍA

POLÍTICA DE GARANTÍA DE EGO

Garantía limitada de 5 años para el equipo electromecánico para exteriores EGO y garantía limitada de 3 años para los cargadores y las baterías del Sistema, EGO Power+.

Póngase en contacto con Servicio al Cliente de EGO de manera gratuita al 1-855-EGO-5656, cuando tenga preguntas o reclamaciones de garantía.

GARANTÍA LIMITADA DE SERVICIO

Este producto EGO está garantizado contra defectos en los materiales y la mano de obra POR CINCO AÑOS desde la fecha de su compra original. El producto defectuoso se reparará de manera gratuita.

El cargador y las baterías del Sistema EGO Power+ están garantizados contra defectos en los materiales y la mano de obra POR TRES AÑOS desde la fecha de su compra original. El producto defectuoso se reparará de manera gratuita.

Esta garantía no cubre piezas de mantenimiento de rutina o piezas fungibles que puedan desgastarse durante el uso normal dentro del periodo de garantía.

- a) Esta garantía se aplica solo al comprador original en el distribuidor minorista y podría no ser transferible.
- b) El periodo de garantía para cualquier pieza o producto EGO para propósitos industriales, profesionales o comerciales es de un año.
- c) Esta garantía queda nula si el producto se ha usado para propósitos de alquiler.
- d) Esta garantía no cubre daños producto de modificaciones, alteraciones o reparaciones no autorizadas.
- e) Esta garantía solo cubre defectos en condiciones de uso normales y no cubre fallas, mal funcionamiento o defectos del producto por uso indebido, abuso (incluida la sobrecarga del producto por encima de su capacidad y la exposición de forma directa al agua o lluvia), accidentes, negligencia o falta de instalación correcta, y almacenaje o mantenimiento inadecuados.

- f) Esta garantía no cubre el deterioro normal del acabado exterior, incluidos, entre otros, rayones, abolladuras, trozos de pintura o cualquier corrosión o decoloración producida por el calor, limpiadores químicos y abrasivos.

CÓMO OBTENER EL SERVICIO

Para obtener el servicio de garantía, póngase en contacto con Servicio al Cliente de EGO de manera gratuita al 1-855-EGO-5656. Cuando solicite el servicio de garantía, debe presentar el recibo de compra original con fecha. Se seleccionará un centro de servicio autorizado para reparar el producto de acuerdo con los términos de la garantía estipulados.

LIMITACIONES ADICIONALES

En la medida en que lo permita la ley aplicable, se rechazan todas las garantías implícitas, incluidas las garantías de comerciabilidad o idoneidad para un FIN en particular. Cualquier garantía implícita, incluidas las garantías de comerciabilidad o idoneidad para cualquier fin en particular, que no pueda ser rechazada según la ley estatal está limitada a cinco años desde la fecha de compra para el equipo electromecánico para exteriores y tres años desde la fecha de compra para el cargador y las baterías.

Chervon North America no se hará responsable por daños directos, indirectos, accidentales o resultantes.

Algunos estados no permiten limitaciones con respecto a la duración de una garantía implícita y/o no permiten la exclusión o limitación de daños accidentales o resultantes, de modo que las limitaciones antes descritas podrían no aplicarse en su caso.

Esta garantía le otorga derechos legales específicos, pero podría tener también otros derechos que varían según el estado.

Para obtener el servicio al cliente, póngase en contacto con nosotros de manera gratuita al: 1-855-EGO-5656 o visite: EGOPOWERPLUS.COM

EGO Customer Service, 120 Ionia Street SW / Suite 102 Grand Rapids, MI 49503

