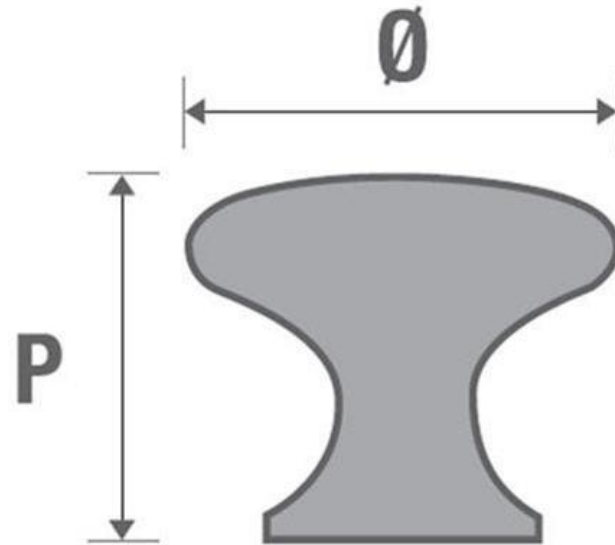




Dimension References



\emptyset = Diameter (Please note that if the knob has an oval, square or rectangular shape, the overall width and length will be provided instead of the diameter)

P = Projection