

DELTA[®]-FL

Keeping Floors Warm & Dry Installation Instructions.

Health and Safety

- Required safety equipment: hard hat, safety boots, gloves, safety glasses.
- Always follow all safety precautions as directed by the Occupational Safety and Health Administration (OSHA-USA) or the Construction Safety Association (Canada).
- Please refer to Safety Data Sheets for all components and observe all recommended safety precautions therein.
- The general codes of practice for protection at work and instructions of the manufacturers for tools and components are to be observed at all times.

Recommended Materials

- DELTA[®]-FL
- DELTA[®]-MOISTUREPROOF TAPE
- Low expansion spray foam
- Self-leveling compound (if required)
- Other materials depending on final floor material:
 - 4'x 8' plywood or OSB (minimum 7/16" thick)
 - 1/4" x 1 1/2" Tapcon[®] fasteners (Phillips head)
 - Silicone sealant (recommended)
 - Needle-punched geotextile (landscaping fabric)

Recommended Tools

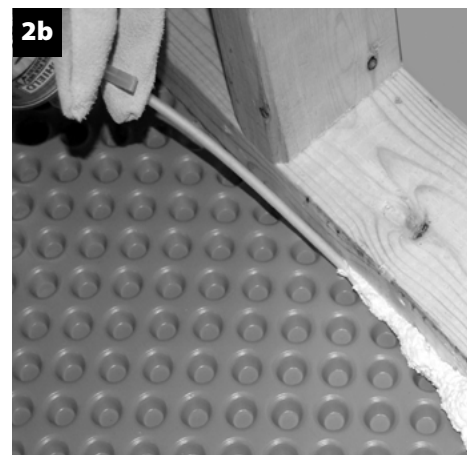
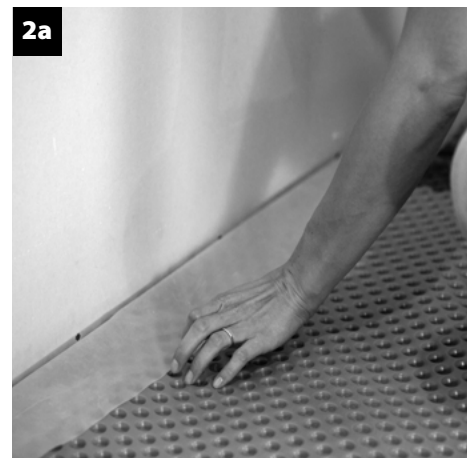
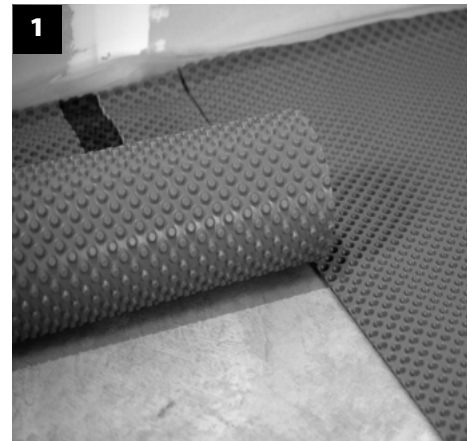
- Broom and/or vacuum cleaner
- Measuring tape
- Utility knife or scissors
- Straight edge and/or carpenter's square
- Circular saw and/or jigsaw
- Hammer drill
- Caulking gun
- Phillips screw driving bit

Preparing the Concrete for Installation

- The concrete floor and foundation walls should be dry, free of large cracks, excessive moisture, leaks and flooding. DELTA[®]-FL is not meant to replace good foundation design or maintenance.
- Any pre-existing unsound or moisture-sensitive flooring materials should be removed prior to installation of DELTA[®]-FL.
- The floor should be as level as possible. Remove any bumps or ridges. In areas with depressions greater than 1/4", self-leveling compound should be used.
- Thoroughly clean and vacuum the concrete floor.
- Ensure floor area is solid and free of mold and fungi.
- Optional: In case of uneven floors, installing a layer of needle-punched geotextile (landscaping fabric) underneath the DELTA[®]-FL can reduce the potential for clicking noises.

Installation

- Beginning at the longest straight wall, roll out the DELTA[®]-FL, dimple side down and cup side up.
- DELTA[®]-FL should be installed as tightly as possible to all walls (see Detail 1).
- For applications with stud walls already in place, lift the protective moisture barrier at the bottom and place over top of DELTA[®]-FL (see Detail 2a).
- For applications with stud walls already in place that do not have a protective moisture barrier underneath or applications directly against the foundation wall, seal the gap between DELTA[®]-FL and bottom plate or wall with low expansion spray foam (see Detail 2b).
- For applications without stud walls already in place, non-load bearing stud walls may be constructed on top of DELTA[®]-FL. Load-bearing walls should not be placed on top of DELTA[®]-FL.
- End laps and side laps shall be placed tightly to the adjacent roll of DELTA[®]-FL. Do not overlap or interlock the dimples. Seal all end laps and side laps with DELTA[®]-MOISTUREPROOF TAPE (see Detail 3).



- Seal gaps between DELTA®-FL and any posts or penetrations with low expansion spray foam to prevent the passage of water vapor into living area.
- Access to floor drains and clean-outs must be maintained. Cut DELTA®-FL around drains or clean-outs. Seal DELTA®-FL with low expansion spray foam (see Detail 4).

Carpet, Vinyl, Hardwood, or Other Floor Covering Requiring Rigid Substrate

- Place 4' x 8' sheets of minimum 7/16" OSB/ Plywood sheets over DELTA®-FL.
- Pre-drill the wood sheets and the concrete according to the fastening pattern (see Detail 4).
- Apply a small amount of silicone caulking on the thread of the fasteners and into the pre-drilled hole of the wood sheets prior to installing the Tapcon® screws.
- Install 8 (eight) Tapcon® screws per sheet (see Detail 5).
- Inspect the wood sheets for areas with bounce, tapping, or squeaks. Add additional fasteners where necessary.
- Some hardwood floors are nailed to the substrate. When these types of hardwood floors are installed, ensure that the fasteners do not penetrate the DELTA®-FL. Note that some hardwood floors may not be recommended for below grade use. Check with your flooring manufacturer.
- Install final floor as per manufacturer's recommendations.

Floating Laminate and Engineered Wood-Flooring Installations

- Place recommended underlayment foam over DELTA®-FL as indicated by the laminate/ engineered wood floor manufacturer.
- Install the laminate/engineered wood flooring system as recommended by manufacturer (see Detail 6).

General Notes

- Transitions: Consider any transitions from one finished flooring system to another (i.e. laminate to carpet). The elevation difference may affect your final installation.
- Material allowance: Always allow 10% to 15% extra material to accommodate doorways, cutouts and waste.
- Always follow local Building Code Requirements whenever building/renovating.

Added Warmth and Comfort

- DELTA®-FL acts as a vapor barrier. An additional vapor barrier is not required on the concrete floor.
- Extruded or expanded rigid insulation boards can be installed over the DELTA®-FL prior to the installation of the finished flooring.

Limitations

- Product is not designed for permanent UV exposure. Always cover as soon as possible.

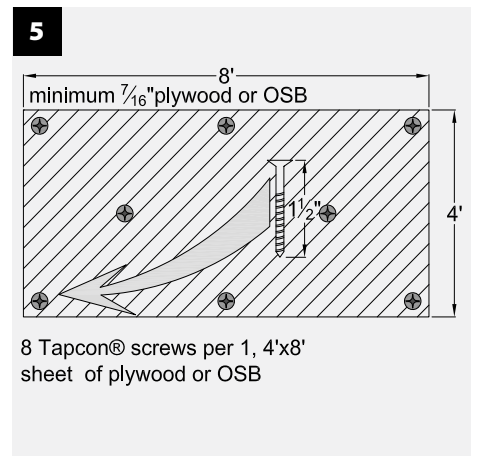
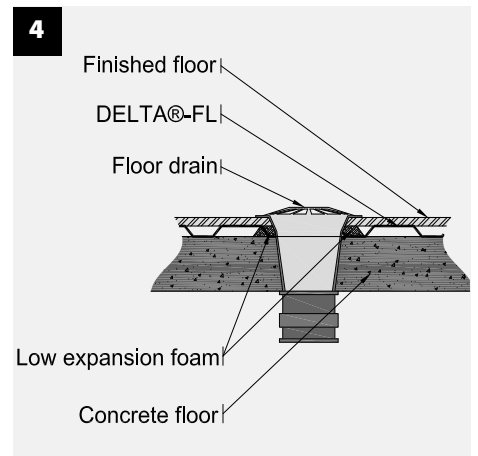
Load Considerations

- DELTA®-FL features high compressive strength. Typical household items like refrigerators, billiards tables and furniture can be placed onto the finished flooring without compromising the DELTA®-FL.

Disposal of Waste

- DELTA®-FL is made from environmentally friendly HDPE.
- Waste can be recycled where facilities allow.

For technical support, call our Technical Support Team at 1-888-433-5824 extension 326, or visit www.dorken.com



DÖRKEN Dörken Systems Inc.
4655 Delta Way
Beamsville, Ontario
L0R 1B4
1-(905) 563-3255
Fax: (905) 563-5582
info@dorken.com
www.dorken.com



The information printed in this brochure reflects product information and specifications at the date of printing. The manufacturer reserves the right to make changes when necessary. All rights reserved.

DELTA®-branded quality products
manufactured by Cosella-Dörken.

A **DÖRKEN** GROUP company