

# INSTALLATION INSTRUCTIONS

## 6030SW Wall Surrounds

Visit [www.americanstandard.com](http://www.americanstandard.com) for coordinating products.

*American Standard*

### USE WITH 6030ST3 SEATED SHOWER BASE

Thank you for selecting American Standard – the benchmark of fine quality for over 100 years. To ensure this product is installed properly, please read these instructions carefully before you begin. (Certain installations may require professional help.) Also be sure your installation conforms to local codes.

#### BEFORE YOU BEGIN....

Local building codes vary by location. Observe all local plumbing and building codes.

Unpack your new shower walls and inspect them carefully for damage. Verify that the walls are the correct size for your installation. Refer to American Standard roughing-in information for specific dimensions for each model.

**NOTE:** Take extra care in handling the front surfaces of the walls. Use only non-abrasive cloths to avoid scratching.

### REQUIRED TOOLS AND MATERIALS

#### TOOLS:

Pencil  
Drill  
Hole Saw or  
Sabre Saw  
Tape Measure  
Caulking Gun  
Level  
Square  
Utility Knife

#### MATERIALS:

Acrylic/Latex or Acrylic/Silicone Sealant  
Galvanized (or corrosion resistant) flat head screws 3/4" minimum length  
2 x 4 lumber for additional wall studs as required  
Tub Surround Adhesive  
1 x 4's if installing shower doors

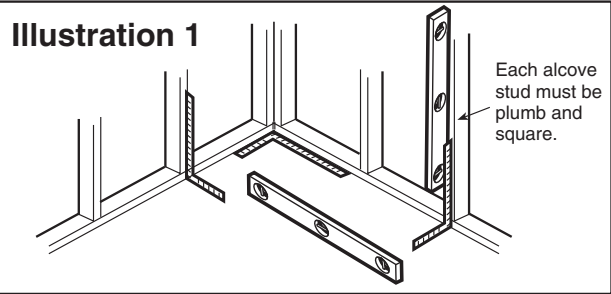
#### PREPARATION:

The 6030SW Wall Surrounds are to be installed directly over stud walls. Drywall is not required.

- Remove dry wall surface and ensure that alcove is plumb and square. (Illustration 1)
- Prepare studs as indicated below.

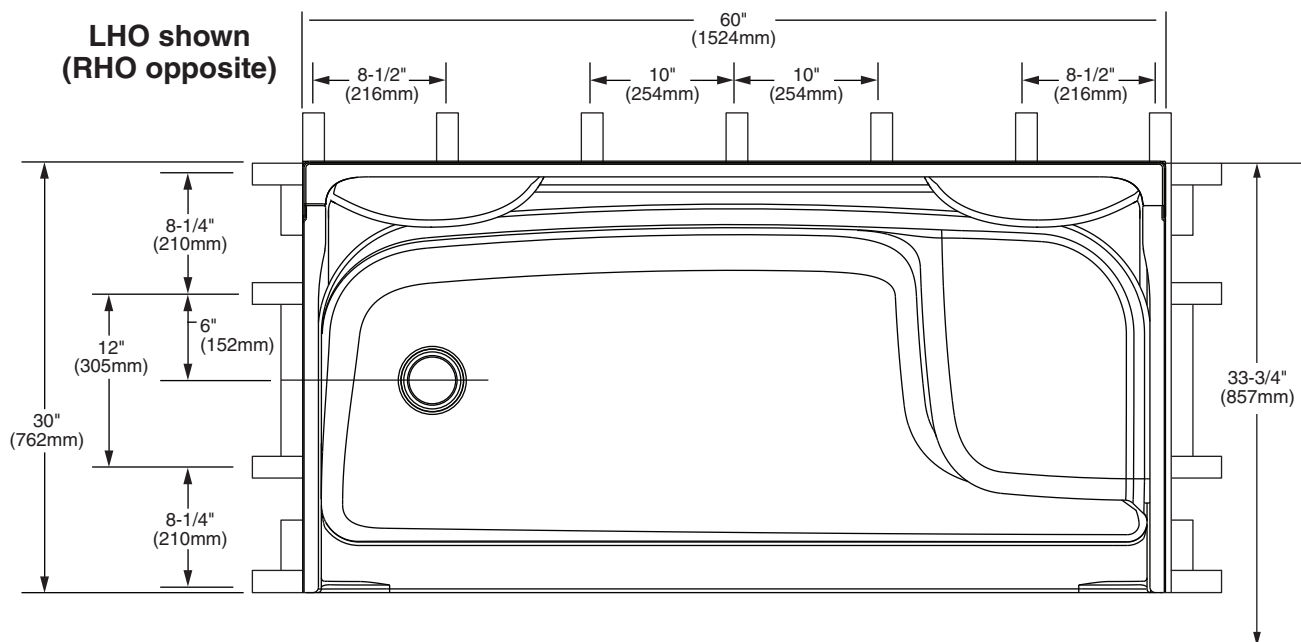
#### IMPORTANT:

- Rough plumbing and fittings must be installed before walls.



#### STUD LAYOUT FOR WALL INSTALLATION FOR USE WITH 6030ST3 SEATED SHOWER BASE.

The studs should be located as shown to properly support walls. Provide additional studs where illustrated. (below)

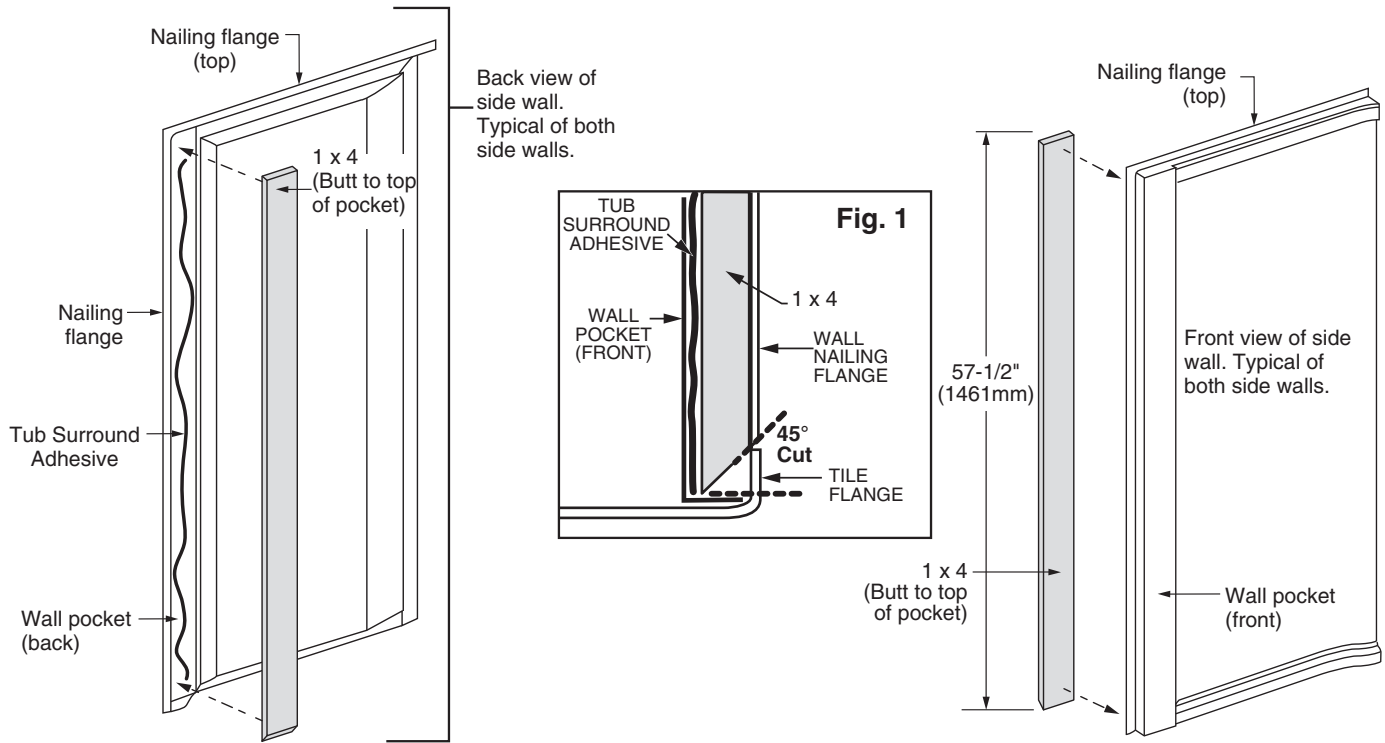


**NOTE:** Installation over greenboard or firewalls: If installing wall panels over greenboard and/or firewall material and not directly on the studs, your alcove dimensions must consider the thickness of this material. Measure from the inside of the finished walls.

# 1 INSTALLATION PROCEDURES:

If you plan to install a bath/shower door, a 1 x 4 **must** be installed in the pocket on the back of both side walls.

- A) Cut one end of the 1 x 4 to 45° as shown. (Fig.1) Then cut the 1 x 4 to a length of 57-1/2".
- B) Apply a bead of tub surround adhesive in the pocket of each side wall. With 45° cut end down and angle facing out, attach board butting up to the top of the pocket. Allow time to cure.

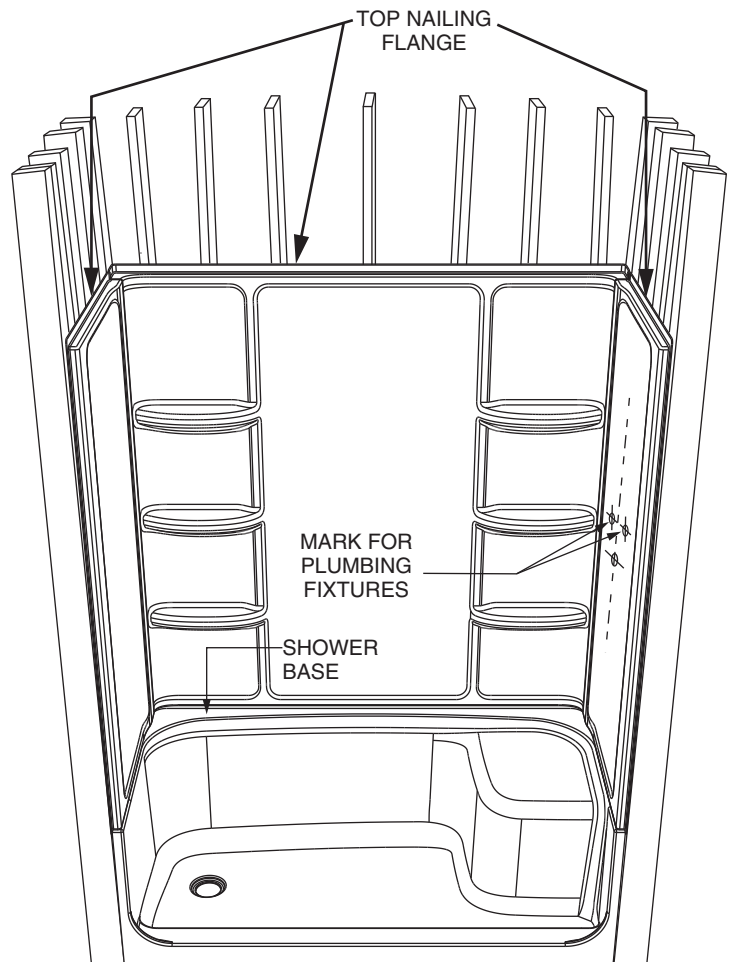
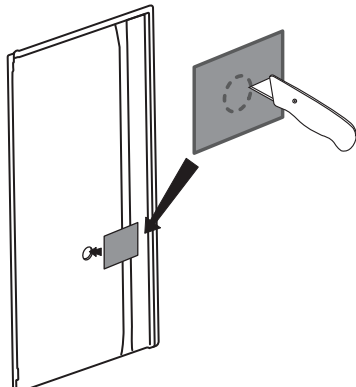


# 2

- A) Position the three panels into the alcove. Lower each panel onto the shower base to ensure that the panels fit properly in the alcove.
- B) Mark the appropriate side panel (right or left) cutouts for plumbing fixtures. Refer to plumbing fixture installation instructions for hole dimensions and placement. Carefully locate, mark and cut holes using the properly sized hole saw.
- C) When satisfied with fit, mark a line across the top of the panels on each stud. Remove the panels. The marked line will help align the panels in subsequent steps.

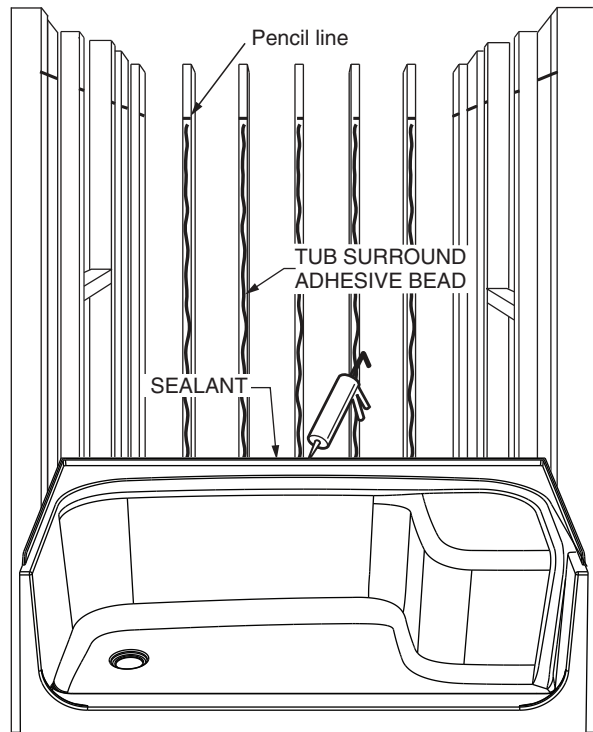
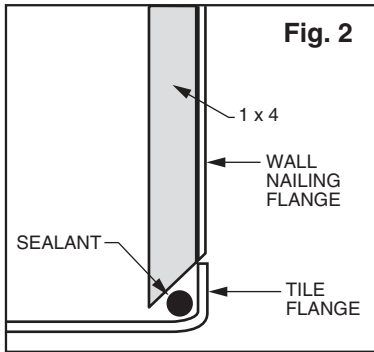
### FIREPROOF PAD INSTALLATION

- D) After valve hole is cut, peel & stick self adhesive, fireproof pad on backside side of panel, centering pad over valve hole. Cut pad with utility knife to reveal valve hole.



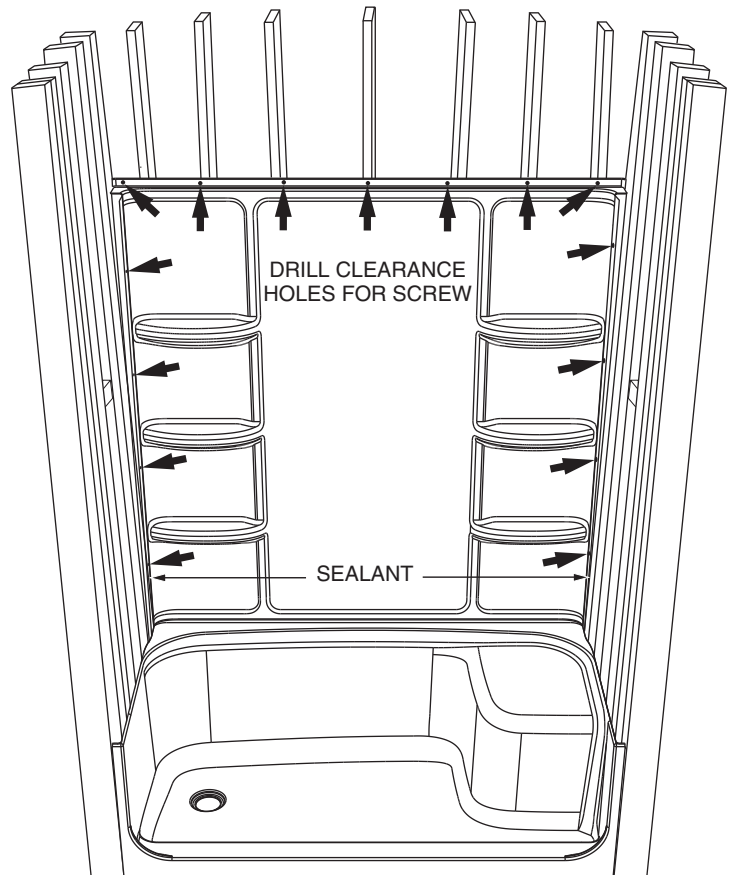
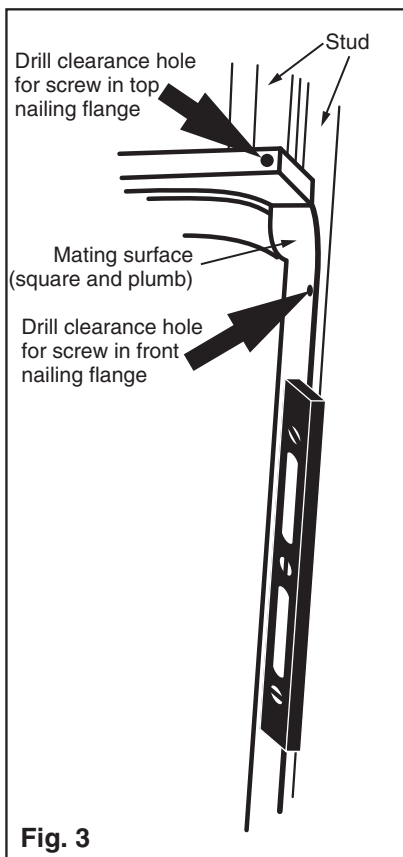
### 3

- A) Apply a bead of tub surround adhesive down each stud that will come in contact with the back panel being sure to stay below the line you marked. You do not need to apply adhesive to the corner studs.
- B) Lay a bead of sealant along the inside corner of the seated shower base ledge as shown in Fig. 2.
- C) Reposition back panel aligned with pencil line and press firmly against studs.



### 4

- A) • Locate and drill a clearance hole in the center of the top nailing flange and centered on each stud (see arrows as shown).  
• Also drill four evenly spaced clearance holes on the front nailing flange on each side (see arrows as shown).
- B) Ensuring mating surface is square and plumb (Fig. 3), install galvanized screws through each clearance hole and into the studs, securing the wall panel.
- C) Add a bead of sealant down the vertical corner of the back panel (Fig. 3).



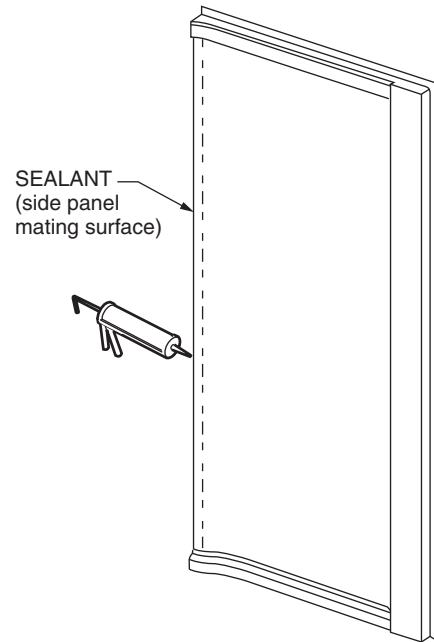
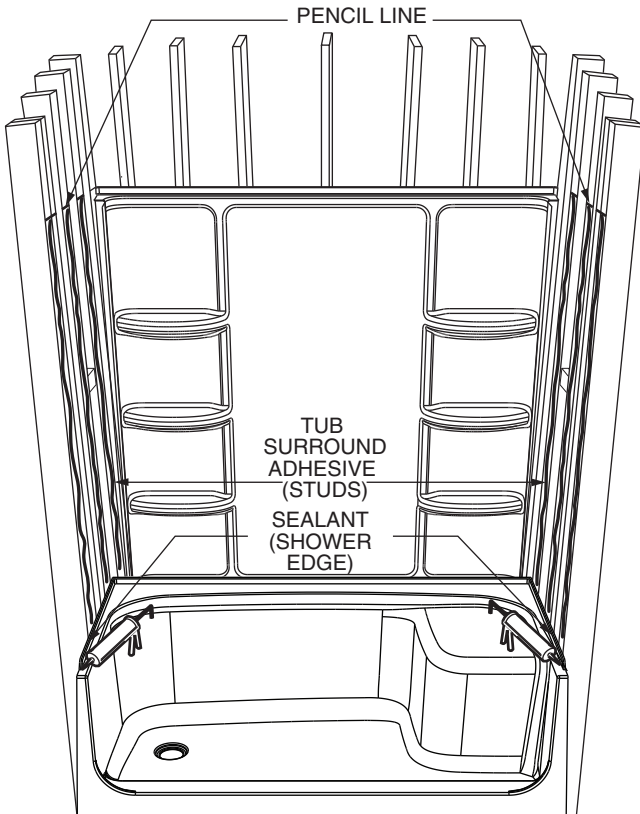
5

A) Apply a bead of tub surround adhesive down each stud that will come in contact with the side panels being sure to stay below the line previously marked.

B) Lay a bead of sealant along side panel mating surface and seated shower base ledge.

C) Align the top nailing flange of each side panel with pencil line marked. Press firmly into place to ensure proper adhesion to studs.

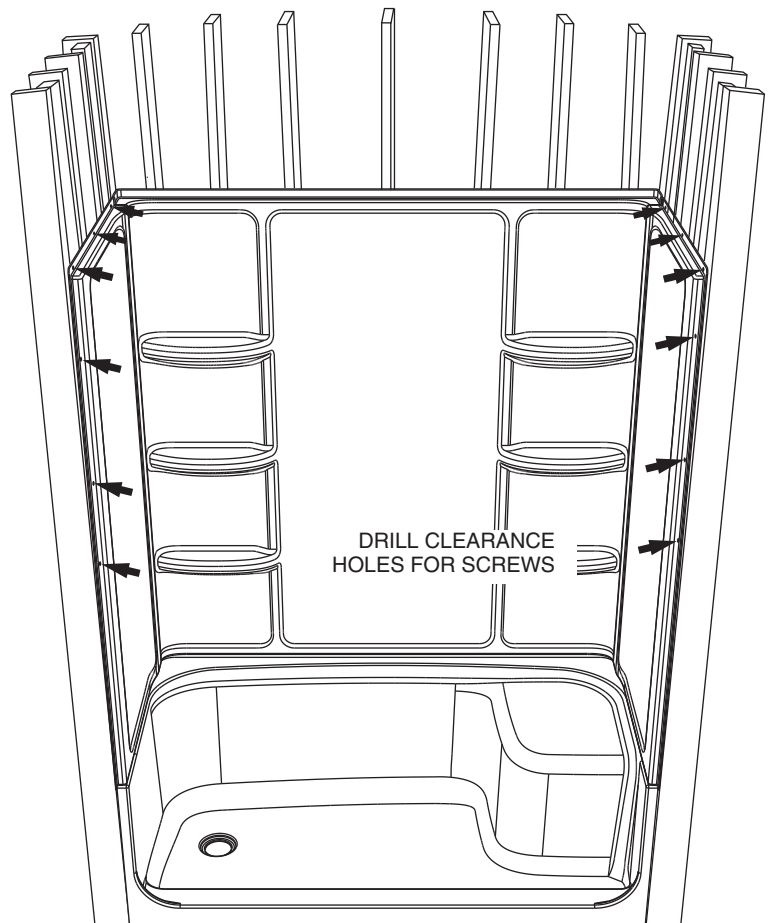
Check alignment with all mating surfaces and reposition if necessary.



D) Locate and drill a clearance hole in the center of the top nailing flange and centered on each stud (see arrows as shown).

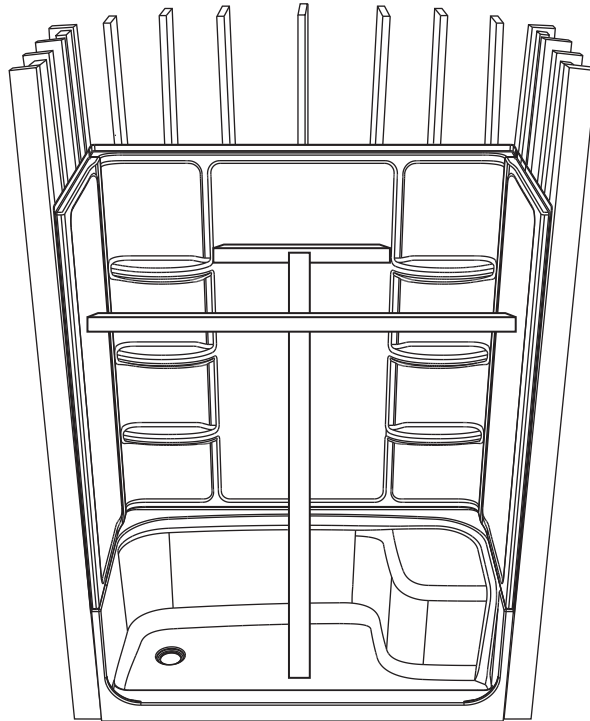
Also drill clearance holes in the front nailing flange on each side panel at approx. 12" intervals, centered on the flange (see arrows as shown).

Install galvanized screws through each hole and into the studs, securing the wall panel.



**6**

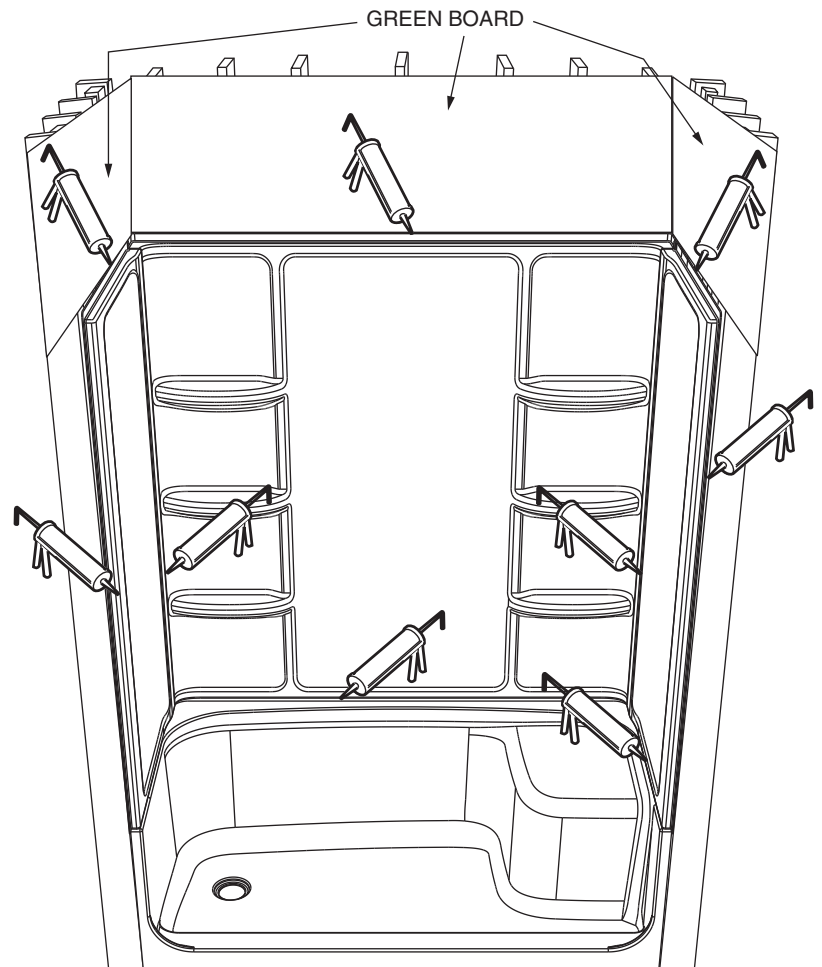
Install temporary braces to hold the center of the back and side panels tight to the studs for approximately 24 hours while adhesive sets. Add cushioning between panels and braces to prevent scratching the panels.

**7**

When installing greenboard, position drywall screws above the top nailing flange. If you choose to screw through the nailing flange, you **MUST** drill clearance holes in the flange to avoid cracking/damaging the flange.

**8**

- A)** After greenboard is installed, apply finished sealant bead to all edges and joints. Follow sealant manufacturers' recommended cure time.
- B)** Make connections to supply and drain lines.



## **POST INSTALLATION CLEAN-UP**

Remove all construction debris. Tile grout can be removed with a wooden popsicle stick or tongue depressor. Do not use wire brushes or any other metal implement on surface.

Post installation clean-up generally can be completed using warm water and liquid dishwashing detergent. Stubborn dirt or stains may be removed using granular Spic and Span® mixed with water.

Painter's naphtha can be used to remove excess adhesives and/or wet oil-base paint.

## **AFTERCARE and CLEANING**

**⚠ WARNING:** Cleaning products with labels that say "not suitable for use with ABS, acrylic or polystyrene" **SHOULD NOT BE USED.** Read all labels carefully.

- Excessively hot water may cause surface damage.
- **HARSH CHEMICALS SHOULD NEVER BE USED ON SHOWER WALL SURFACE.** Clean after use with a mild liquid household detergent cleaner. Do not use Lestoil®, Lysol® Disinfectant (spray or concentrate), or Lysol® Basin, Tub and Tile Cleaner, Windex®, Mr. Clean®, Scrubbing Bubbles® Disinfectant Bathroom Cleaner, or cleaning products in aerosol cans.
- Do not use wire brushes, knives or sharp objects to remove stains, cigarette tar deposits, or other surface blemishes.
- Abrasive cleaners or powders must not be used, since they will dull the surface. If the glossy surface loses its sheen, dulled areas or light scratches can be restored by rubbing with a white "automotive type" polishing compound and waxing with a "liquid wax."
- **Do not wax areas where you walk or stand.**
- Do not allow nail polish remover, acetone, dry cleaning fluid, paint remover or other solvents to come into contact with the surface.
- Clean the surrounding surface immediately after using caustic drain cleaners.
- Burning cigarettes will damage the surface.
- Should damage to the fixture occur, repairs can be made quickly and easily. Your distributor or builder can provide details.

## **AS America, Inc. Limited Lifetime Warranty for Shower Walls**

AS America, Inc. ("American Standard") warrants to the original consumer purchaser that it will, at its option, repair or replace these walls or any of its parts that are found by American Standard, in its sole judgment, to be defective under normal residential use and maintenance so long as it is owned by the original consumer purchaser.

To activate this limited warranty, the purchaser must go online to our website at [www.americanstandard-us.com/warranty](http://www.americanstandard-us.com/warranty) to register their bath walls within thirty (30) days of purchase.

In no event will American Standard be liable for the cost of repair or replacement of any installation materials including but not limited to tiles, marble etc.

This limited warranty DOES NOT COVER the following:

1. Defects or damages arising from shipping, installation, alterations, accidents, abuse, misuse, lack of proper maintenance and cleaning as directed in the owner's manual and use of other than genuine American Standard replacement parts, in all cases whether caused by a plumbing contractor, service company, the owner or any other person.
2. Deterioration through normal wear and tear and the expense of normal maintenance.
3. Commercial application.
4. Options and accessories. American Standard's limited warranty on these items is one year for parts only and excludes labor. This one year limited warranty covers accessories manufactured by American Standard (e.g. aprons, drains, grab bars, heaters, trim kits) against defects of material or workmanship. Warranty coverage begins on the date the accessory was originally purchased by the owner.
5. Postage or shipping costs for returning products for repairs or replacement under this limited warranty and labor or other costs incurred in connection with product removal or installation under this limited warranty.
6. ANY LIABILITY FOR CONSEQUENTIAL OR INCIDENTAL DAMAGES, ALL OF WHICH ARE HEREBY EXPRESSLY DISCLAIMED, OR THE EXTENSION BEYOND THE DURATION OF THIS LIMITED WARRANTY OF ANY IMPLIED WARRANTIES, INCLUDING THOSE OF MERCHANTABILITY OR FITNESS FOR AN INTENDED PURPOSE. (Some jurisdictions do not allow limitations on how long an implied warranty lasts, or the exclusion or limitation of incidental or consequential damages, so these limitations and exclusions may not apply to you.)
7. Responsibility for compliance with local code requirements. (Since local code requirements vary greatly distributors, retailers, dealers, installation contractors and users of plumbing products should determine whether there are any code restrictions on the installation or use of a specific product.)

This warranty gives you specific legal rights. You may have other legal rights that vary from state to state. For service under this warranty, you should contact the following:

### **In the United States:**

American Standard Brands  
1 Centennial Ave.  
Piscataway, New Jersey 08854  
Attention: Director of Consumer Affairs

For residents of the United States, warranty information may also be obtained by calling the following toll free number: (800) 442-1902  
[www.americanstandard.com](http://www.americanstandard.com)

### **In Canada:**

AS Canada ULC  
5900 Avebury Rd.  
Mississauga, Ontario  
Canada L5R 3M3

Toll Free: (800) 387-0369  
[www.americanstandard.ca](http://www.americanstandard.ca)

### **In Mexico:**

American Standard B&K Mexico  
S. de R.L. de C.V.  
Via Morelos #330  
Col. Santa Clara  
Ecatepec 55540 Edo. Mexico  
Toll Free: 01-800-839-1200  
[www.americanstandard.com.mx](http://www.americanstandard.com.mx)