



INSTALLATION INSTRUCTIONS

SAVER® BATH DOOR MODEL: AM00495.400 SERIES

Thank you for selecting American Standard – the benchmark of fine quality for over 100 years. To ensure this product is installed properly, please read these instructions carefully before you begin. (Certain installations may require professional help.) Also be sure your installation conforms to local codes.

GENERAL INFORMATION

Please inspect the product immediately upon receipt for transit damage, missing packs/parts or manufacturing fault. Damage reported later cannot be accepted. Please handle the product with care avoiding knocks and shocks loading to all sides and edges of the glass.

NOTE: TEMPERED GLASS CANNOT BE DRILLED, CUT OR MODIFIED.

READ THE INSTRUCTIONS CAREFULLY

Familiarize yourself with all the parts as shown in the assembly drawing. The assembly drawing will also provide a helpful reference when relating the location of the various parts and how they are mounted.

Special care should be taken when drilling walls to avoid hidden pipes or electrical cables.

Shower door "Wall Posts" need to be screwed onto a solid wooden or firm structural support.

Note: This product is heavy and may require two people to install.

AFTERCARE INSTRUCTIONS

After use, your shower should be cleaned with soap and water. This is particularly important in hard water districts where insoluble lime salts may be deposited and allowed to build up. Cleaners of a gritty or abrasive nature should not be used. Care should be taken to avoid contact with strong chemicals such as organic solvents and strippers.

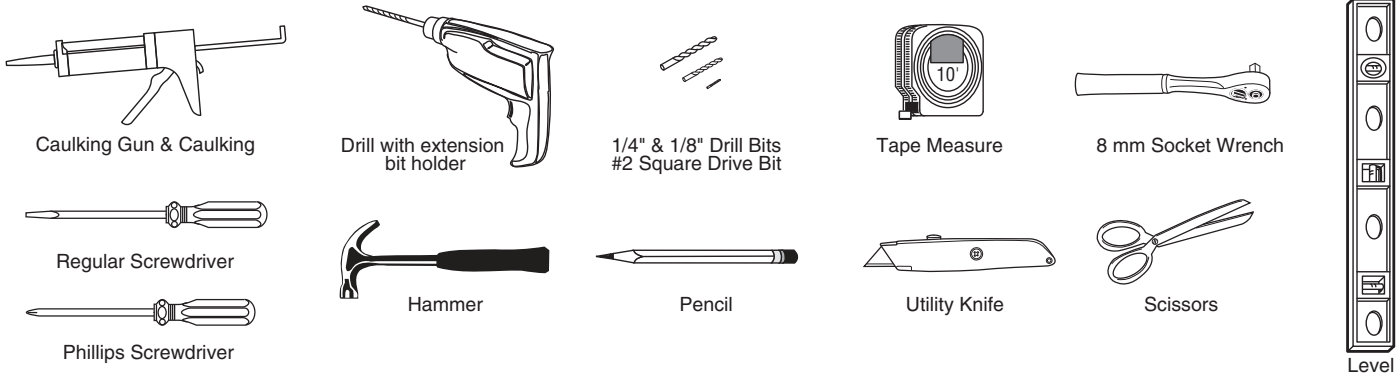
Glass cleaners can be used but with caution, if in doubt contact the manufacturer of the cleaner in question.

Please keep these instructions for aftercare and customer service details.




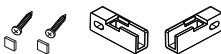



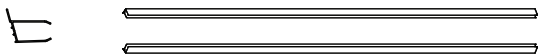


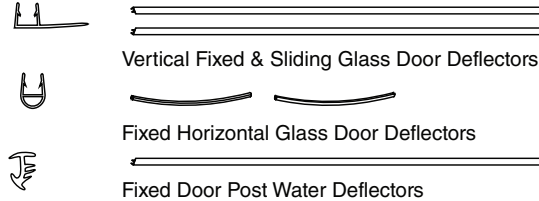
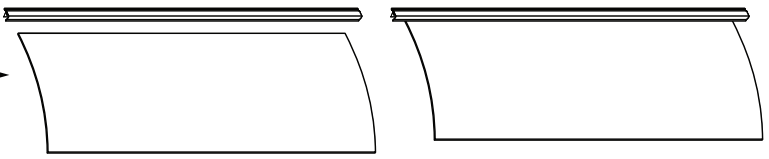
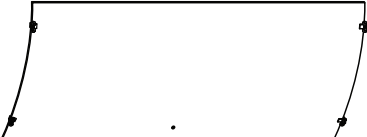
For problems please contact American Standard. Do not return to store.

S
A
V
E
R
F
O
R
F
U
T
U
R
E
U
S
E

REQUIRED TOOLS AND MATERIALS

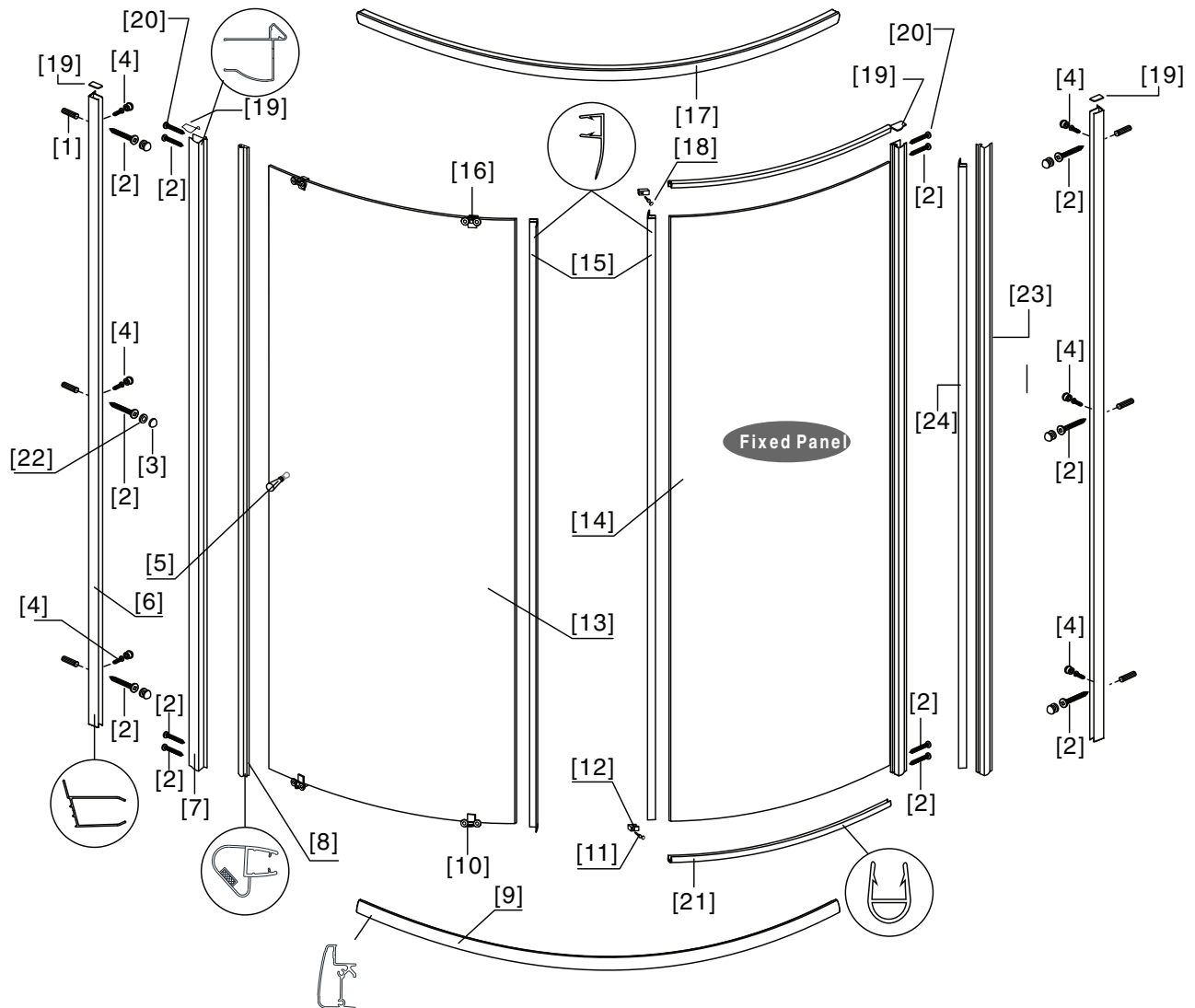


BOX CONTENTS

<p>2x Horizontal Rails</p>	<p>➔</p>	
<p>1x Installation Instructions</p>	<p>➔</p>	
<p>1x Handle Set</p>	<p>➔</p>	
<p>2x Retaining Blocks 2x Screws M4x12 2x Screw Cover Caps</p>	<p>➔</p>	
<p>2x Wall Post Profile Covers 4x Door Post Profile Covers</p>	<p>➔</p>	 <p>Wall Post Profile Covers Fixed Door Profile Covers Sliding Profile Covers</p>
<p>6x Wall Anchors 12x Screws M4x35 2x Screws, Flat Head, M4x35 6x Screw Cover Caps 6x Cupped Washers</p>	<p>➔</p>	
<p>6x Screws M4x10 6x Screw Cover Caps 6x Cupped Washers</p>	<p>➔</p>	
<p>2x Wall Posts</p>	<p>➔</p>	
<p>1x Sliding Door Post 1x Fixed Door Post <i>(if not factory installed)</i></p>	<p>➔</p>	
<p>1x Magnetic Seal</p>	<p>➔</p>	
<p>2x Vertical Fixed & Sliding Glass Door Deflectors 2x Fixed Horizontal Glass Door Deflectors x1 Fixed Door Post Water Deflector <i>(if not factory installed)</i></p>	<p>➔</p>	 <p>Vertical Fixed & Sliding Glass Door Deflectors Fixed Horizontal Glass Door Deflectors Fixed Door Post Water Deflectors</p>
<p>1x Fixed Glass Door Panel with Door Post Attached OR 1x Fixed Glass Door Panel without Door Post Attached</p>	<p>➔</p>	
<p>1x Sliding Glass Door Panel</p>	<p>➔</p>	

ASSEMBLY DRAWING

Fixed Right-hand Panel shown - See page 8 for Fixed Left-hand Panel



- | | |
|---|--|
| [1] 6x Wall Anchors | [14] 1x Fixed Door Panel with Door Post Attached |
| [2] 14x Screws M4x35 | [15] 2x Vertical Fixed & Sliding Door Water Deflectors |
| [3] 24x Screw Cover Caps | [16] 2x Top Rollers |
| [4] 6x Screws M4x10 | [17] 1x Top Horizontal Rail |
| [5] 1x Handle Set | [18] 2x Screw Cover Caps for Retaining Blocks |
| [6] 2x Wall Posts | [19] 6x Fixed and Sliding Door Covers |
| [7] 1x Sliding Door Post | [20] 2x Flat Head Screws M4x35* |
| [8] 1x Magnetic Seal | [21] 2x Fixed Door Water Deflectors |
| [9] 1x Bottom Horizontal Rail | [22] 12x Cupped Washers |
| [10] 2x Bottom Rollers | [23] 1x Fixed Door Post Not Attached to Fixed Door Panel |
| [11] 2x Screws M4x12 for Retaining Blocks | [24] 1x Fixed Door Post Water Deflector Not Attached to Door Panel |
| [12] 2x Retaining Blocks | |
| [13] 1x Sliding Door Panel | |

* if included: otherwise use M4x35 as supplied

INSTALLATION NOTES

This unit is best installed by two people.

Cover drain with tape prior to installation to prevent the loss of small parts.

Unpack your unit carefully and inspect for freight damage. Lay out and identify all parts using instruction sheet as a reference. Before discarding the carton check to see that no small hardware parts have fallen to the bottom of the box. If any parts are damaged or missing refer to the description noted in the instructions when inquiring about replacements.

Shower door assembly may have the "Fixed Door Post" Factory Installed onto "Fixed Glass Door"

Handle the glass panels carefully and protect the edges. Although tempered glass is very resistant to breakage the glass can still break if unequal pressure is applied during installation and the sharp corners of the panel can damage tile and flooring surface.

Be sure to wear safety glasses whenever drilling or cutting. When drilling holes in ceramic tile or marble use a center punch and hammer to carefully break the glazed surface. This will prevent skidding when drilling.

NOTE: TEMPERED GLASS CANNOT BE DRILLED, CUT OR MODIFIED.

1 ASSEMBLE FRAME - REFER TO ASSEMBLY DRAWING

NOTE: Determine if Fixed Door Panel will be mounted on the left or right side of frame prior to mounting posts and rails together.

Procedure is shown with Fixed Door on the Right side.

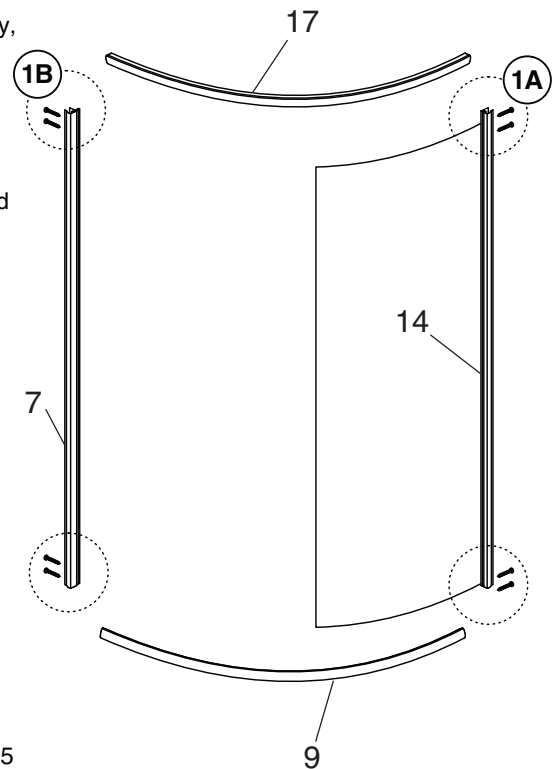
- Refer to page 8 if mounting fixed door on Left side.
- For partially assembled Fixed Door, if Frame/Glass requires assembly, refer to STEP 3.

NOTE: If Fixed Door Post is already factory installed on "Fixed Glass Panel" (14), "Fixed Door Water Deflectors" (21) need to be installed first before installing Top & Bottom Horizontal Rails. Place Retaining Blocks (12) on Fixed Door Panel (14) at top and bottom (see fig A in STEP 3) and use them as guides to install the top and bottom Fixed Door Water Deflectors (21). Once the Water Deflectors are in place, remove the Retaining Blocks for later installation and continue with remaining installation of Horizontal Rails.

1A - 1B Slide Horizontal Rails (9 & 17) onto Door Posts (7 & 14) and screw together using matching square bit.

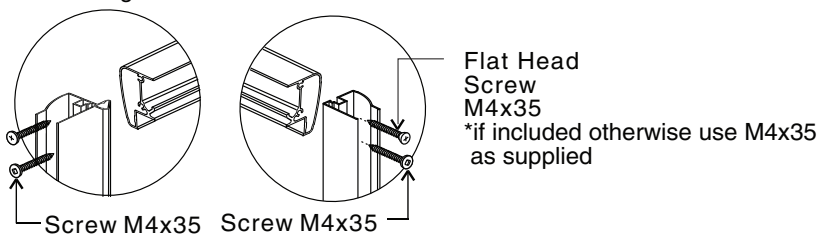
NOTE: Top & Bottom Horizontal rails are identical. Door Roller Stops are installed inside the tracks on one end of each Horizontal Rail and should be installed towards the Fixed Door Post side.

Insure flange side of both Wall Posts (side with pre-drilled holes) are facing inside shower area.



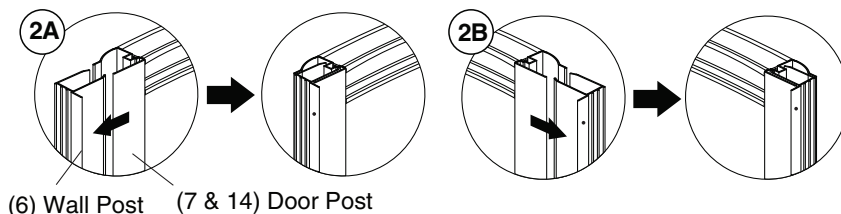
VIEW FROM INSIDE

1B-Sliding Door Post 1A-Fixed Door Post



VIEW FROM LEFT SIDE - INSIDE

VIEW FROM RIGHT SIDE - INSIDE



2A-2B Slide Wall Posts (6) on each end. The Wall Posts fit inside Posts of the frame.

Insure flange side of both Wall Posts (side with pre-drilled holes) are facing inside shower area.

2 FITTING FRAME ASSEMBLY INTO OPENING

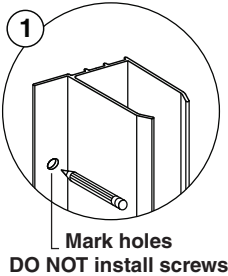
2 PEOPLE REQUIRED

Place completed frame onto the tub marked edge **(A)** at the edge of the flat surface of the deck. Push wall posts against wall and position the posts with a level and mark the mounting holes on the wall. (Ref. 1) Remove the frame; drill 1/8" holes at marked locations. (Ref. 2)

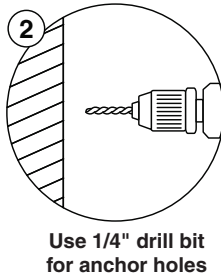
Use the anchors if NOT securing to studs (use 1/4" drill bit). (Ref. 3)

Remove frame and proceed to STEP 3.

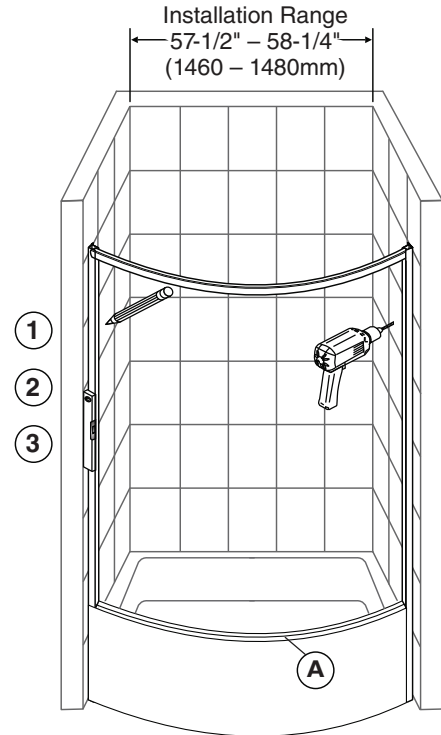
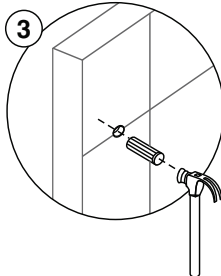
MARKED HOLES



DRILL MARKED LOCATIONS



INSTALL ANCHOR IF NEEDED



3 FITTING FIXED GLASS PANEL INTO FRAME ASSEMBLY **if not previously installed onto Fixed Door Post!*

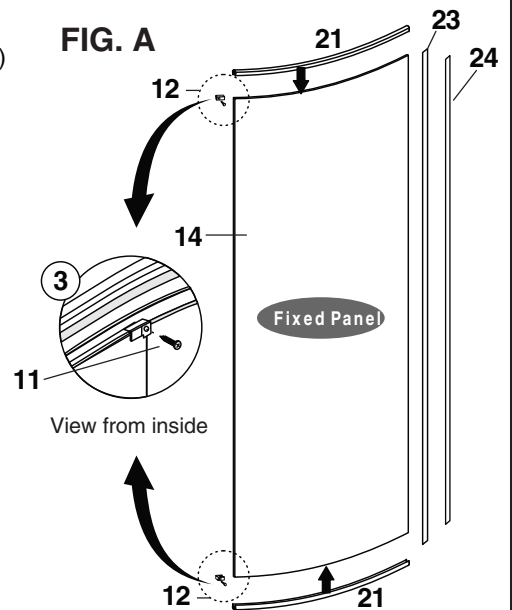
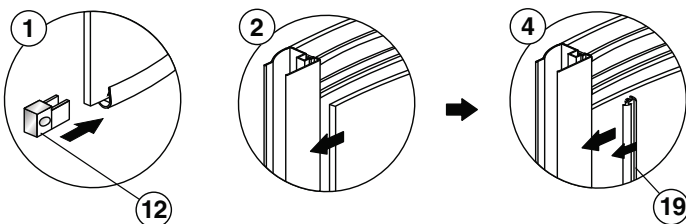
RIGHT-HAND FIXED PANEL SHOWN. SEE PAGE 8 FOR LEFT-HAND INSTALLATION.

- 1. Place Retaining Blocks (12) on fixed door panel at top and bottom (see Fig. A) and use them as guides to install the top and bottom Fixed Door Water Deflectors (21). Once the Water Deflectors are in place, remove the Retaining Blocks for later installation.
- 2. Slide Fixed Glass Panel (14) in place, engaging Top and Bottom Horizontal Rails and Door Post
- 3. Install top & bottom Retaining Blocks with screws (11) to hold Fixed Door Panel in place.

NOTE: Hand tighten screws. Do not over tighten!

- 4. Install Fixed Door Water Deflector (24) by pressing into place. Wet with water to aid inserting deflector between glass door and door post. Deflector may need to be trimmed if it extends beyond the top or bottom rail.

VIEW FROM INSIDE



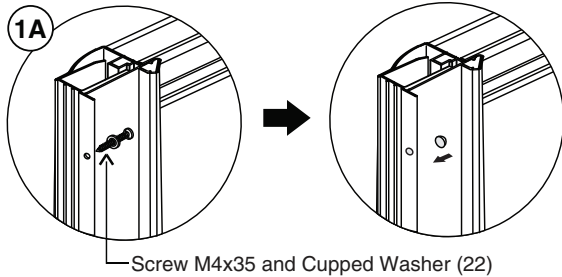
4 INSTALLING FRAME

2 PEOPLE REQUIRED

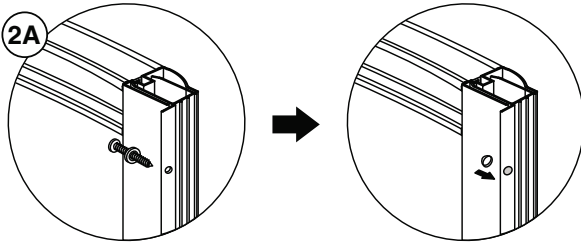
VIEW FROM INSIDE

1A and 2A Secure assembly to wall using previously drilled holes.

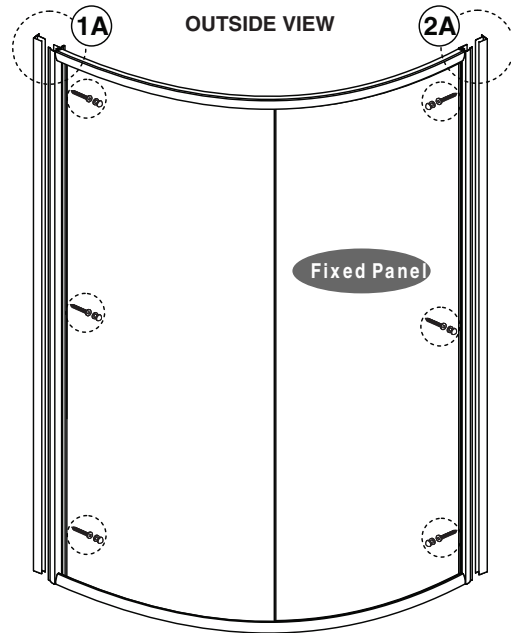
NOTE: The Cupped Washers (22) hold Screw Cover Caps in place. Apply silicon sealant onto threads of screws before screwing into place.



Screw M4x35 and Cupped Washer (22)



Snap Screw Cover Caps (3) over screws and Cupped Washers.



5 FIXING ASSEMBLY TO WALL POSTS

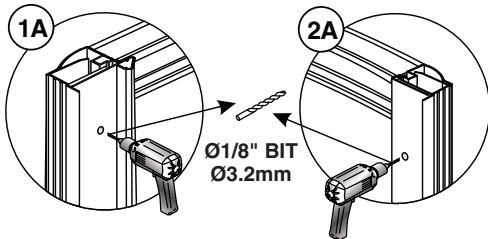
Ensure door assembly is centered in opening. Push door assembly down to top of tub before anchoring screws to wall posts.

1A & 2A — Drill Pilot Holes

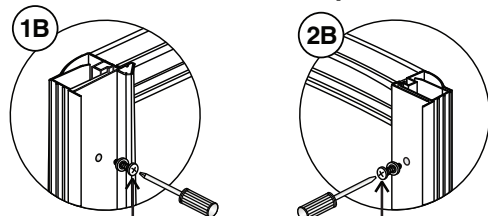
1B & 2B — Place plastic Cupped Washers (22) over M4x10 screws and screw into place at each pilot hole.

1C & 2C — Snap Screw Cover Caps (3) over each screw head.

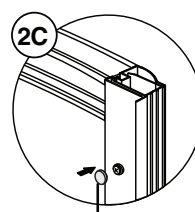
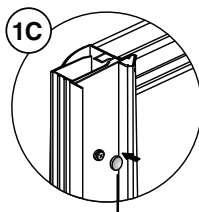
VIEW FROM INSIDE



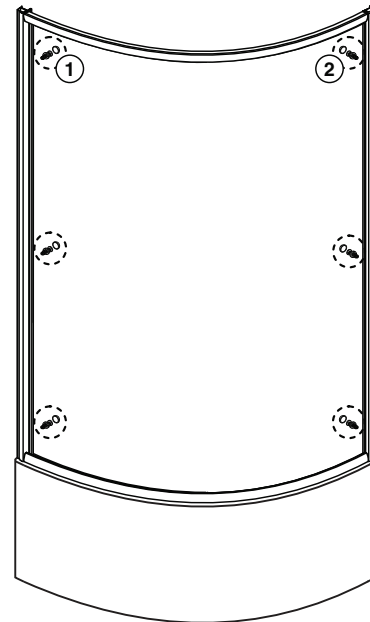
Ø1/8" BIT
Ø3.2mm



SCREW M4X10
AND CUPPED WASHERS.



SCREW
COVER CAPS

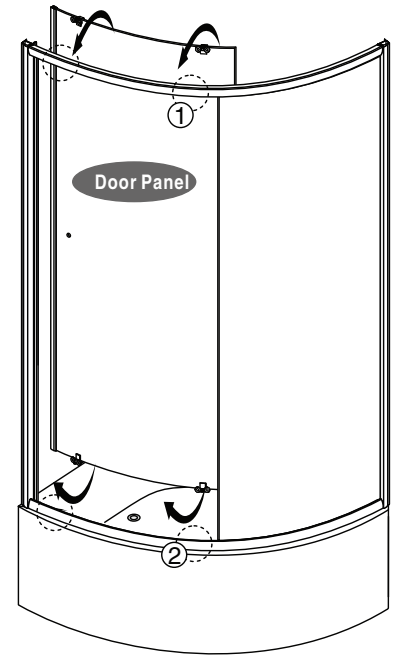
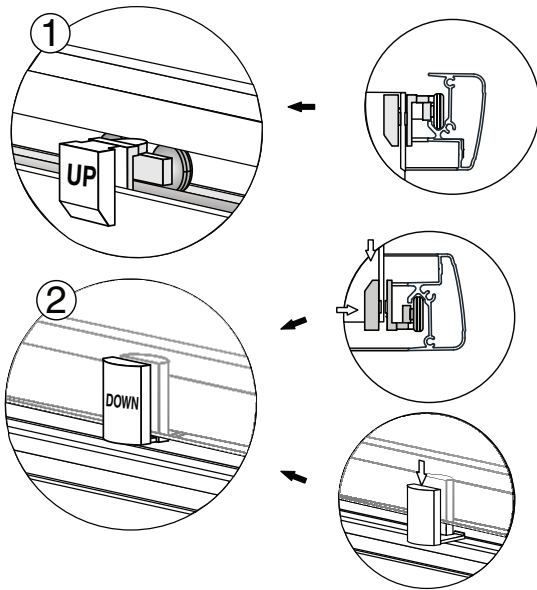


6 INSTALLING SLIDING DOORS

- Hang door in top track as shown in ①. **NOTE:** Roller marked UP installs on TOP Horizontal Rail. Depress lower Rollers and seat as shown in ②. **NOTE:** If Top & Bottom Rollers need to be reversed, see page 8.)

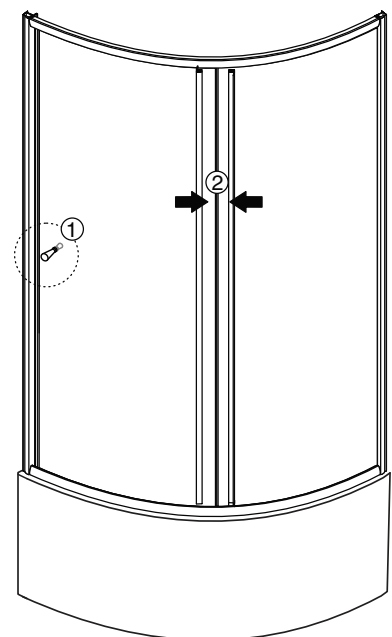
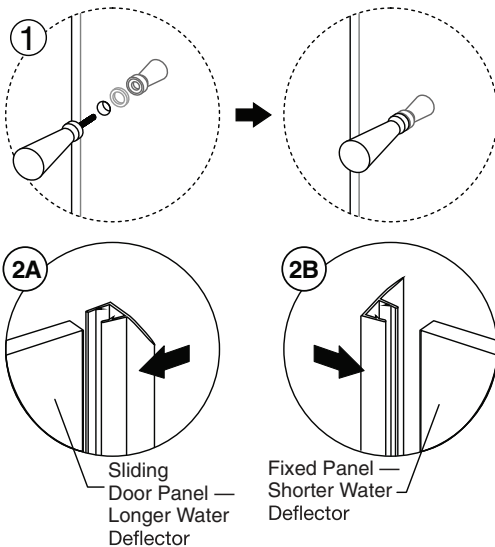
SLIDING DOOR ADJUSTMENTS

The sliding door may require adjustment after being installed and can be checked by fully closing door and check for vertical alignment as it rests on the Sliding Door Post (7). If Sliding Door Panel does not rest correctly on Sliding Door Post or there is a gap on one end, the Top Rollers can be adjusted by pulling down the plastic covers marked UP to reveal the 8mm nut. Slightly loosen the nut with the nut driver enough to move the sliding door, then move the door slightly up or down, then tighten and check alignment of sliding door when closed. Once sliding door fit is correct, verify all rollers (UP & DOWN) that they are not loose. Tighten if necessary.



7 ADD DOOR HANDLES AND WATER DEFLECTORS

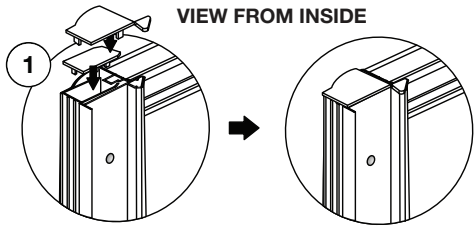
- Screw Handle (5) in place as shown in 1.
- Install Water Deflectors (15) as shown in 2A & 2B.
- Install Magnetic Seal (8) on Sliding Glass Door (13).



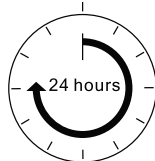
8 APPLY SILICONE CAULKING & PROFILE COVERS

☐ Snap Profile Covers (20) in place as shown in 1.

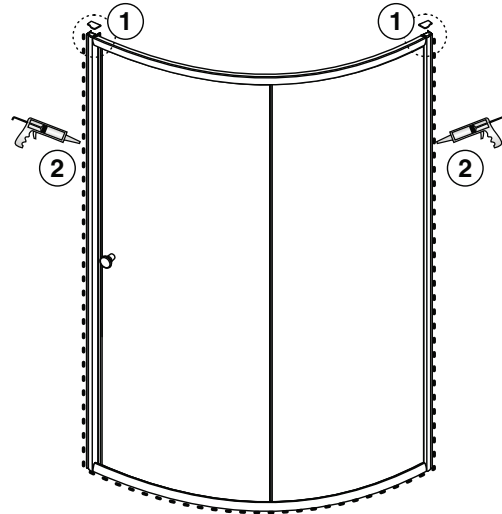
NOTE: Only 4 Profile Covers are required to trim both tops of Wall & Door Posts. Remaining 2 are required when reversing sliding door panel in opposite direction.



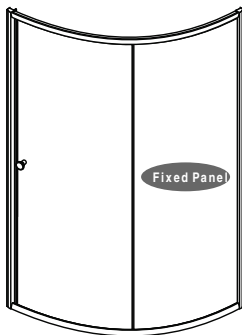
VIEW FROM INSIDE



Allow 24 hours for silicone to dry before use.



FIXED GLASS PANEL - CHANGING SIDES



RIGHT HAND - FIXED GLASS PANEL

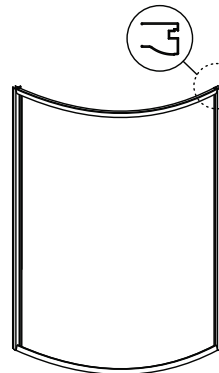


FIG. 1
RIGHT HAND
FIXED GLASS PANEL

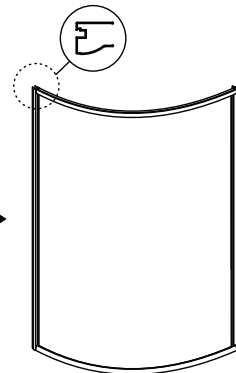
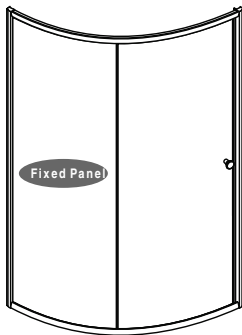
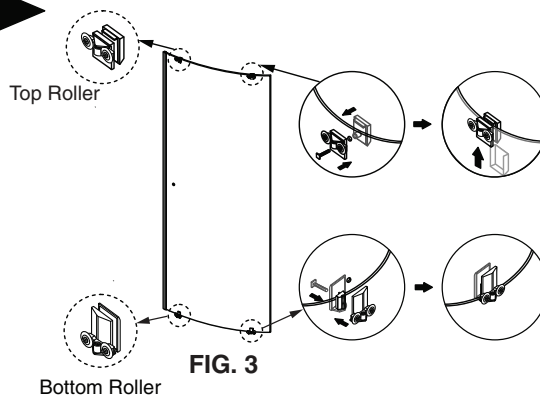


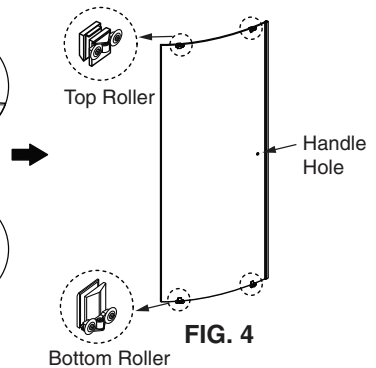
FIG. 2
LEFT HAND
FIXED GLASS PANEL



LEFT HAND - FIXED GLASS PANEL



SLIDING DOOR
RIGHT-HAND FIXED GLASS PANEL



SLIDING DOOR
LEFT-HAND FIXED GLASS PANEL

To convert to Left-Hand Fixed Glass Panel, invert the Sliding Glass Panel so the Handle Hole is as shown above. Disassemble Top & Bottom Rollers & re-install appropriate Rollers to top & bottom of Sliding Glass Panel.

MAINTENANCE:

Two primary materials are used to manufacture your new American Standard shower enclosure: tempered glass and anodized aluminum. To assure a long lasting finish on the enclosure, wipe it down with a towel after each use.

For occasional, more concentrated cleaning efforts **Lysol Non-Abrasive Bathroom Cleaner** works extremely well. Be sure that any over spray falling on the aluminum frame is rinsed thoroughly and dried. Many over-the-counter cleaners, if applied to the aluminum and left on, will harm the metal finish and cause permanent damage even though their directions indicate safe use on shower doors. Never use a scouring agent to clean the aluminum.

AS AMERICA, INC. LIMITED LIFETIME WARRANTY FOR SHOWER DOORS

AS America, Inc. ("American Standard") warrants to the original consumer purchaser that it will, at its sole option, repair or replace this product or any part of this product, if it confirms that the product is defective in materials or workmanship under normal use and maintenance for the lifetime of this product.

This warranty does not apply to commercial installations. Commercial installations shall have a limited warranty of 3 year(s).

This limited warranty DOES NOT COVER the following:

1. Defects or damage arising from shipping, installation, alterations, accidents, abuse, misuse, lack of proper maintenance and use of other than genuine American Standard replacement parts, in all cases whether caused by a plumbing contractor, service company, the owner or any other person.
2. Deterioration through normal wear and tear.
3. HARD WATER DAMAGE, OR DAMAGES RESULTING FROM ABUSE OR MISUSE OR FROM FAILURE TO INSTALL OR MAINTAIN THIS PLUMBING PRODUCT IN ACCORDANCE WITH THE WRITTEN INSTRUCTIONS FURNISHED BY AS AMERICA, INC.
4. USE OF CLEANING PRODUCTS CONTAINING CALCIUM HYPO CHLORITE (CHLORINE), SCOURING POWDERS OR PADS SHALL NOT BE COVERED.
5. THE USE OF SCENTED CANDLES IN CLOSE PROXIMITY WITH THIS PRODUCT CAN RESULT IN PERMANENT STAINING OF THE FINISH.
6. Expense of normal maintenance.
7. All costs of removal, transportation, labor, reinstallation or other costs including postage and/or shipping costs to obtain warranty service shall be paid by the consumer.
8. ANY LIABILITY FOR CONSEQUENTIAL OR INCIDENTAL DAMAGES, ALL OF WHICH ARE HEREBY EXPRESSLY DISCLAIMED. ANY IMPLIED WARRANTIES, INCLUDING THOSE OF MERCHANTABILITY OR FITNESS FOR PURPOSE INTENDED ARE SPECIFICALLY EXCLUDED. (Some jurisdictions do not allow limitations on how long an implied warranty lasts, or the exclusion or limitation of incidental or consequential damages, so these limitations and exclusions may not apply to you.)
9. Responsibility for compliance with local code requirements ARE EXCLUDED FROM THIS WARRANTY. (Since local code requirements vary greatly distributors, dealers, installation contractors and users of plumbing products should determine whether there are any code restrictions on the installation or use of a specific product.)

This limited warranty gives you specific legal rights. You may have other statutory rights that vary from state to state or from province to province, in which case this limited warranty does not affect such statutory rights.

For service under this warranty, it is suggested that a claim be made through the contractor or dealer from or through whom the product was purchased, or that a service request (including a description of the product model and of the defect) be sent to the following with proof of purchase or original receipt:

In the United States:
American Standard Brands
1 Centennial Ave
Piscataway, New Jersey 08854
Attention: Director of Consumer Affairs

For residents of the United States, warranty information may also be obtained by calling the following toll free number: (800) 442-1902
www.americanstandard.com

In Canada:
LIXIL Canada ULC
5900 Avebury Rd.
Mississauga, Ontario
Canada L5R 3M3

Toll Free: (800) 387-0369
www.americanstandard.ca

In Mexico:
American Standard B&K Mexico
S. de R.L. de C.V.
Via Morelos #330
Col. Santa Clara
Ecatepec 55540 Edo. Mexico
Toll Free: 01-800-839-1200
www.americanstandard.com.mx